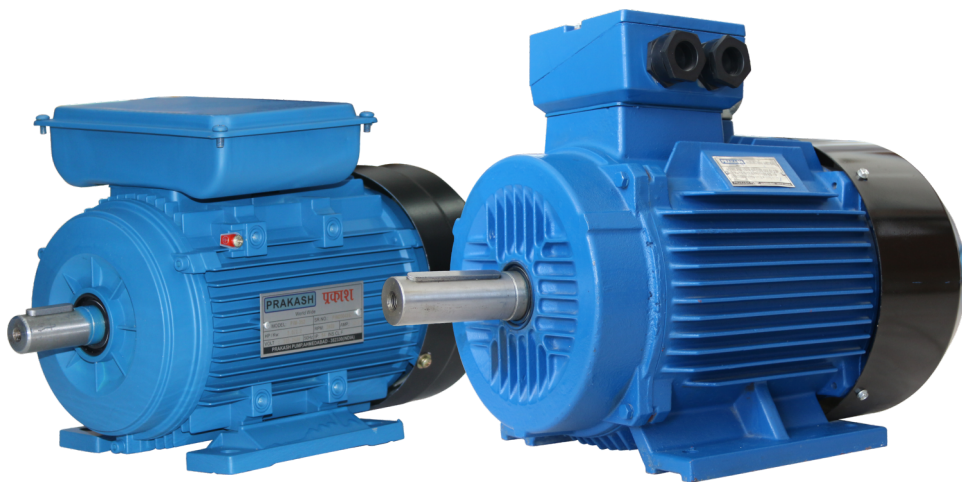


PRAKASH

Quality, Reliability, Life

Induction Motor



www.prakashpump.com

Applications

- Induction motor is used for multi-purpose such as:
 - Industrial.
 - Domestic and agriculture.
 - Machinery equipment.

Motor Details

- 2 & 4 Pole induction motor
- RPM : 1400 & 2900 RPM
- Center height : 80-355mm
- Power : 0.75 kW to 350 kW
- Rated Voltage : 220V for Single Phase
 - 380V for Three Phase
- Rated Frequency : 50Hz
- Insulation Class: B & F
- Protection Class : IP54 (IP55 and IP 56 are available on request)
- Duty : S1
- Mounting Type : B3 Frame with feet and end-shield B5 are available on request.
- Motor IE1, IE2 and IE3 for Optimum efficiency.

Motor Feature

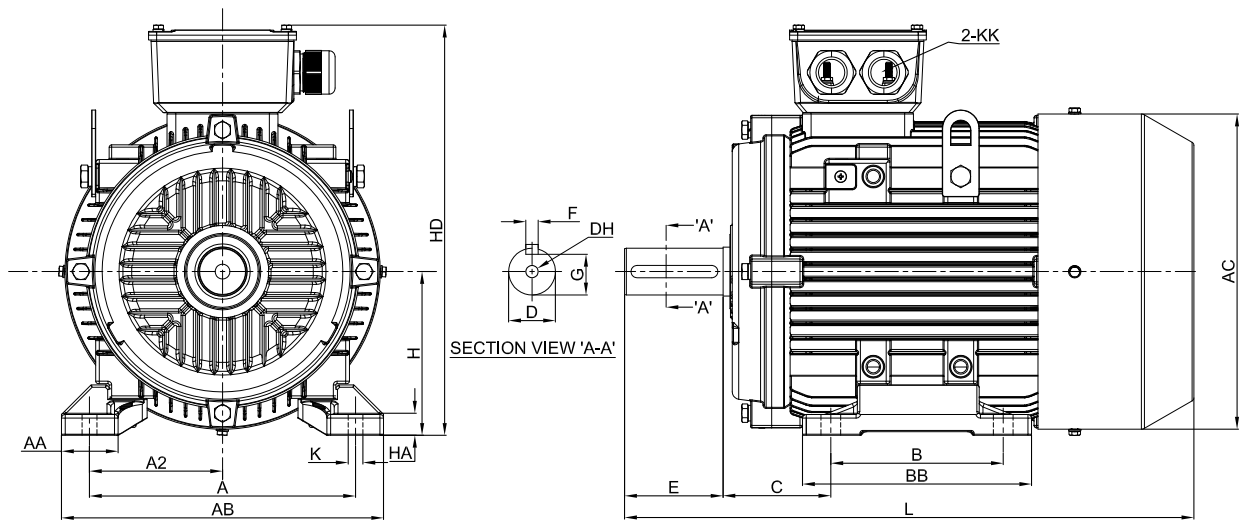
High Capacity, Strong starting torque, high power factor and high efficiency, safety and reliability in running. simple structure easy maintenance and easy installation. It possess frame No. and capacity as three-phase asynchronous motors. This motors are of totally enclosed fan-cooled structure and IC411 method of cooling. The mounting dimensions of the motors are all in conformity with IEC standards. Motors are suitable for machines and equipments such as full load start.

Motor Selection Chart

Model	HP	kw	Voltage	Rated RPM/Speed
PIM-1S4	1	0.75	220	1400
PIM-1.5S4	1.5	1.1	220	1400
PIM-2S4	2	1.5	220	1400
PIM-3S4	3	2.2	220	1400
PIM-4S4	4	3	220	1400
PIM-5.5S4	5.5	4.0	220	1400
PIM-1.5S2	1.5	1.1	220	2900
PIM-2S2	2	1.5	220	2900
PIM-3S2	3	2.2	220	2900
PIM-4S2	4	3	220	2900
PIM-5.5S2	5.5	4.0	220	2900
PIM-1T2	1	0.75	380	2900
PIM-1.5T2	1.5	1.1	380	2900
PIM-2T2	2	1.5	380	2900
PIM-3T2	3	2.2	380	2900
PIM-5.5T2	5.5	4	380	2900
PIM-7.5T2	7.5	5.5	380	2900
PIM-10T2	10	7.5	380	2900
PIM-15T2	15	11	380	2900
PIM-20T2	20	15	380	2900
PIM-25T2	25	18.5	380	2900
PIM-30T2	30	22	380	2900
PIM-40T2	40	30	380	2900
PIM-50T2	50	37	380	2900
PIM-60T2	60	45	380	2900
PIM-75T2	75	55	380	2900
PIM-100T2	100	75	380	2900
PIM-120T2	120	90	380	2900
PIM-150T2	150	110	380	2900

Model	HP	kw	Voltage	Rated RPM/Speed
PIM-180T2	180	132	380	2900
PIM-215T2	215	160	380	2900
PIM-270T2	270	200	380	2900
PIM-335T2	335	250	380	2900
PIM-425T2	425	315	380	2900
PIM-1T4	1	0.75	380	1400
PIM-1.5T4	1.5	1.1	380	1400
PIM-2T4	2	1.5	380	1400
PIM-3T4	3	2.2	380	1400
PIM-5.5T4	5.5	4	380	1400
PIM-7.5T4	7.5	5.5	380	1400
PIM-10T4	10	7.5	380	1400
PIM-15T4	15	11	380	1400
PIM-20T4	20	15	380	1400
PIM-25T4	25	18.5	380	1400
PIM-30T4	30	22	380	1400
PIM-40T4	40	30	380	1400
PIM-50T4	50	37	380	1400
PIM-60T4	60	45	380	1400
PIM-75T4	75	55	380	1400
PIM-100T4	100	75	380	1400
PIM-120T4	120	90	380	1400
PIM-150T4	150	110	380	1400
PIM-180T4	180	132	380	1400
PIM-215T4	215	160	380	1400
PIM-270T4	270	200	380	1400
PIM-335T4	335	250	380	1400
PIM-425T4	425	315	380	1400

G.A Drawing



Model	A	AA	AB	BB	HA	AC	HD	B	C	D	DH	E	F	G	H (frame)	K	KK		L
																	METRIC	PG	
PIM-1S4	125	35	156	125	9	155	215	100	50	19	M6 x 16	40	6	15.5	80	10	2-M20x1.5	2-PG16	287
PIM-1.5S4	140	37	172	156	10	175	246	125	56	24	M8 x 19	50	8	20	90	10	2-M25x1.5	2-PG16	340
PIM-2S4	140	37	172	156	10	175	246	125	56	24	M8 x 19	50	8	20	90	10	2-M25x1.5	2-PG16	340
PIM-3S4	160	40	200	172	11	196	250	140	63	28	M10 x 22	60	8	24	100	12	2-M32x1.5	2-PG21	425
PIM-4S4	160	40	200	172	11	196	250	140	63	28	M10 x 22	60	8	24	100	12	2-M32x1.5	2-PG21	425
PIM-5.5S4	190	50	230	181	15	220	285	140	70	28	M10 x 22	60	8	24	112	12	2-M32x1.5	2-PG21	450
PIM-1.5S2	125	37	153	125	10	160	227	100	50	19	M8 x 19	40	6	15.5	80	10	2-M25x1.5	2-PG16	310
PIM-2S2	140	37	175	156	10	175	246	125	56	24	M8 x 19	50	8	20	90	10	2-M25x1.5	2-PG16	340
PIM-3S2	140	37	175	156	10	175	246	125	56	24	M8 x 19	50	8	20	90	10	2-M25x1.5	2-PG16	340
PIM-4S2	160	40	200	172	11	196	250	140	63	28	M10 x 22	60	8	24	100	12	2-M32x1.5	2-PG21	425
PIM-5.5S2	190	50	230	181	15	220	285	140	70	28	M10 x 22	60	8	24	112	12	2-M32x1.5	2-PG21	450
PIM-1T2	125	35	156	125	9	155	215	100	50	19	M6 x 16	40	6	15.5	80	10	2-M20x1.5	2-PG16	287
PIM-1.5T2	125	35	156	125	9	155	215	100	50	19	M6 x 16	40	6	15.5	80	10	2-M20x1.5	2-PG16	287
PIM-2T2	140	37	175	125	10	175	230	100	56	24	M8 x 19	50	8	20	90	10	2-M25x1.5	2-PG16	315
PIM-3T2	140	37	175	150	10	175	230	125	56	24	M8 x 19	50	8	20	90	10	2-M25x1.5	2-PG16	340
PIM-5.5T2	190	41	230	181	12	220	290	140	70	28	M10 x 22	60	8	24	112	12	2-M32x1.5	2-PG21	400
PIM-7.5T2	216	51	260	186	15	259	338	140	89	38	M12 x 28	80	10	33	132	12	2-M32x1.5	2-PG21	483
PIM-10T2	216	51	260	186	15	259	338	140	89	38	M12 x 28	80	10	33	132	12	2-M32x1.5	2-PG21	483
PIM-15T2	254	55	320	260	18	315	420	210	108	42	M16 x 36	110	12	37	160	15	2-M40x1.5	2-PG29	615
PIM-20T2	254	55	320	260	18	315	420	210	108	42	M16 x 36	110	12	37	160	15	2-M40x1.5	2-PG29	615
PIM-25T2	254	55	320	304	18	315	420	254	108	42	M16 x 36	110	12	37	160	15	2-M40x1.5	2-PG29	658
PIM-1T4	125	35	156	125	9	155	215	100	50	19	M6 x 16	40	6	15.5	80	10	2-M20x1.5	2-PG16	287
PIM-1.5T4	140	37	175	125	10	175	230	100	56	24	M8 x 19	50	8	20	90	10	2-M25x1.5	2-PG16	315
PIM-2T4	140	37	175	150	10	175	230	125	56	24	M8 x 19	50	8	20	90	10	2-M25x1.5	2-PG16	340
PIM-3T4	160	40	200	172	11	196	260	140	63	28	M10 x 22	60	8	24	100	12	2-M32x1.5	2-PG21	385
PIM-5.5T4	190	41	230	181	12	220	290	140	70	28	M10 x 22	60	8	24	112	12	2-M32x1.5	2-PG21	400
PIM-7.5T4	216	51	260	186	15	259	338	140	89	38	M12 x 28	80	10	33	132	12	2-M32x1.5	2-PG21	483
PIM-10T4	216	51	260	224	15	259	338	178	89	38	M12 x 28	80	10	33	132	12	2-M32x1.5	2-PG21	510
PIM-15T4	254	55	320	260	18	315	420	210	108	42	M16 x 36	110	12	37	160	15	2-M40x1.5	2-PG29	615
PIM-20T4	254	55	320	304	18	315	420	254	108	42	M16 x 36	110	12	37	160	15	2-M40x1.5	2-PG29	660

Model	A	A/2	B	C	D	E	F	G	H (frame)	K	AB	AC	AD	HD	L	DH
PIM-25T4	279	139.5	241	121	48	110	14	42.5	180	15	349	355	280	451	698	M16 x 36
PIM-30T4	279	139.5	279	121	48	110	14	42.5	180	15	349	355	280	451	734	M16 x 36
PIM-40T4	318	159	305	133	55	110	16	49	200	19	388	397	305	505	776	M20x 42
PIM-50T4	356	178	286	149	60	140	18	53	225	19	431	445	335	550	810	M20x 42
PIM-60T4	356	178	311	149	60	140	18	53	225	19	431	445	335	550	839	M20x 42
PIM-75T4	406	203	349	168	65	140	18	58	250	24	484	484	370	613	925	M20x 42
PIM-100T4	457	228.5	368	190	75	140	20	67.5	280	24	542	546	410	670	991	M20x 42
PIM-120T4	457	228.5	419	190	75	140	20	67.5	280	24	542	546	410	670	1046	M20x 42
PIM-150T4	508	254	406	216	80	170	22	71	315	28	628	620	530	855	1220	M20x 42
PIM-180T4	508	254	457	216	80	170	22	71	315	28	628	620	530	855	1325	M20x 42
PIM-215T4	508	254	508	216	80	170	22	71	315	28	628	620	530	855	1325	M20x 42
PIM-270T4	508	254	508	216	80	170	22	71	315	28	628	620	530	855	1325	M20x 42
PIM-335T4	610	305	560	254	95	170	25	86	355	28	726	700	655	1002	1514	M20x 42
PIM-425T4	610	305	630	254	95	170	25	86	355	28	726	700	655	1002	1514	M20x 42
PIM-30T2	279	139.5	279	121	48	110	14	42.5	180	15	349	355	280	451	734	M16 x 36
PIM-40T2	318	159	305	133	55	110	16	49	200	19	388	397	305	505	776	M20x 42
PIM-50T2	356	178	286	149	60	140	18	53	225	19	431	445	335	550	810	M20x 42
PIM-60T2	356	178	311	149	55	110	16	49	225	19	431	445	335	550	809	M20x 42
PIM-75T2	406	203	349	168	60	140	18	53	250	24	484	484	370	613	925	M20x 42
PIM-100T2	457	228.5	368	190	65	140	18	58	280	24	542	546	410	670	991	M20x 42
PIM-120T2	457	228.5	419	190	65	140	18	58	280	24	542	546	410	670	1046	M20x 42
PIM-150T2	508	254	406	216	65	140	18	58	315	28	628	620	530	855	1185	M20x 42
PIM-180T2	508	254	457	216	65	140	18	58	315	28	628	620	530	855	1290	M20x 42
PIM-215T2	508	254	508	216	65	140	18	58	315	28	628	620	530	855	1290	M20x 42
PIM-270T2	508	254	508	216	65	140	18	58	315	28	628	620	530	855	1290	M20x 42
PIM-335T2	610	305	560	254	75	140	20	67.5	355	28	726	700	655	1002	1484	M20x 42
PIM-425T2	610	305	630	254	75	140	20	67.5	355	28	726	700	655	1002	1484	M20x 42



Quality, Reliability, Life

PRAKASH PUMP

Survey No. 479, Opp. Supreme Estate-1,
Zak Kadadara Road, Vill.- Kadadara,
Tal.- Dehgam, Gandhinagar,
Gujarat 382305 INDIA

Distributor Office for Middle East

PRAKASH PUMP EST

P.O.Box: 20973 Industrial Area
AL Ain, (United Arab Emirates)
T: +971 3 7222733
F: +971 3 7222744
M: +971 50 6731283
E-mail: sale@prakashpump.com

Distributor Office for Oman

Global Equipment Material Co. LLC

P.O. Box. 227, Postal Code:320
Nakhla Road, Barka(Sultanate of Oman)
T: +968 26883982
F: +968 26883982
M: +968 94584686
E-mail: oman@prakashpump.com



To get quotation by email



To get quotation by SMS



To download e-catalogue



The images given is only for illustration purpose for further details contact to sales team or sale@prakashpump.com / oman@prakashpump.com