



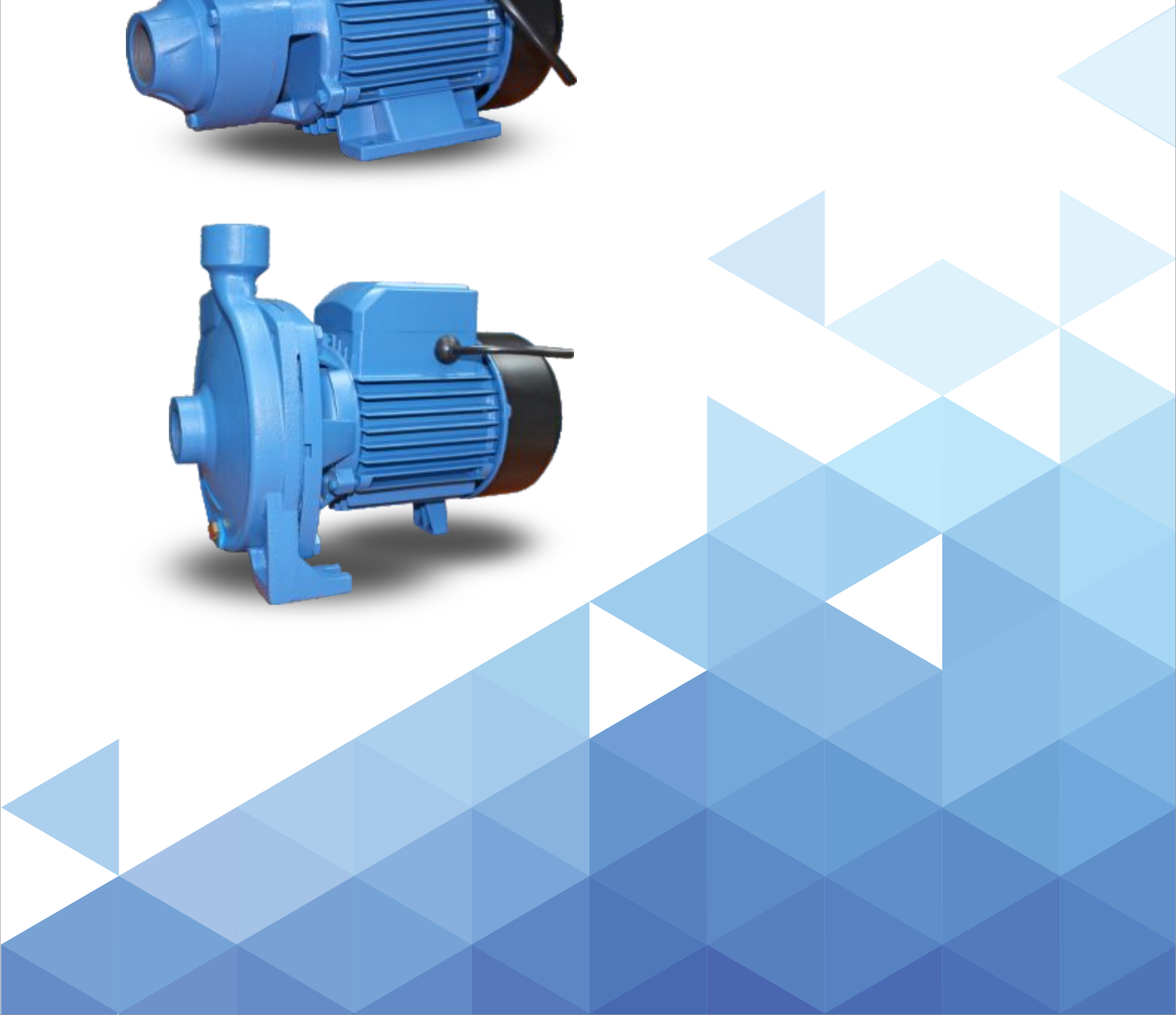
PRAKASH

Worldwide

Quality, Reliability, Life



PERIPHERAL AND CENTRIFUGAL PUMP



Peripheral and Centrifugal Pump

Applications

- Domestic Water Supply
- Lawn Sprinkler
- Automobile Washing
- Gardens Water Supply
- Pressure Boosting in Various Fields

Performance Range

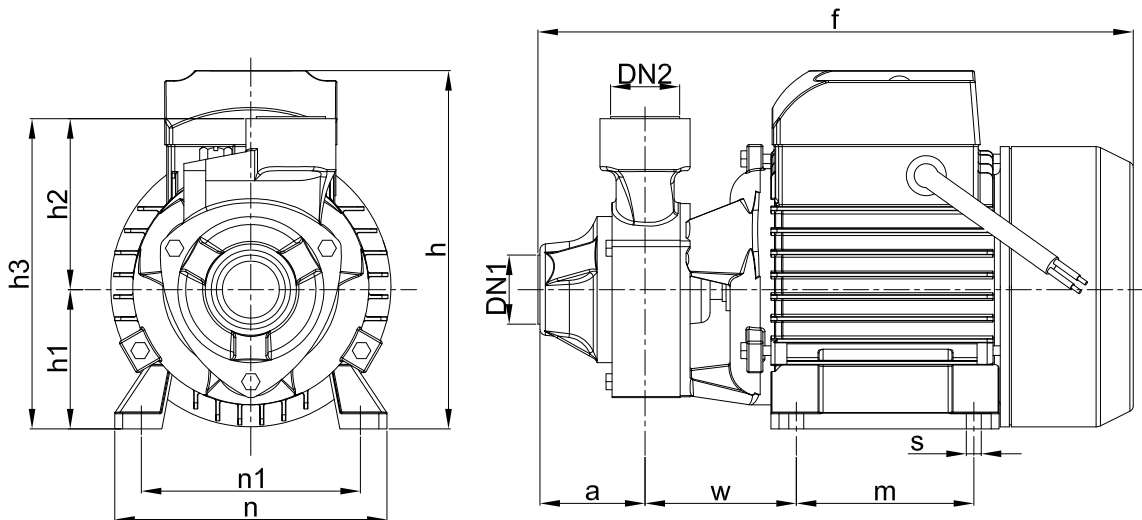
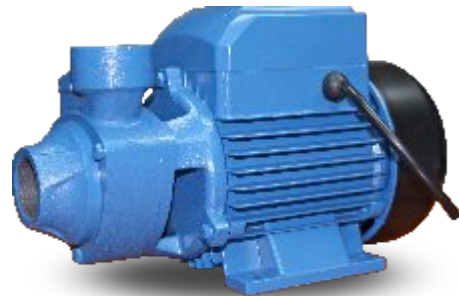
- Flow : 40 LPM to 1200 LPM
- Head : 19m to 40m
- Speed 2900 rpm
- Power 0.37kW – 2.2kW
- 50 Hz

Application Limits

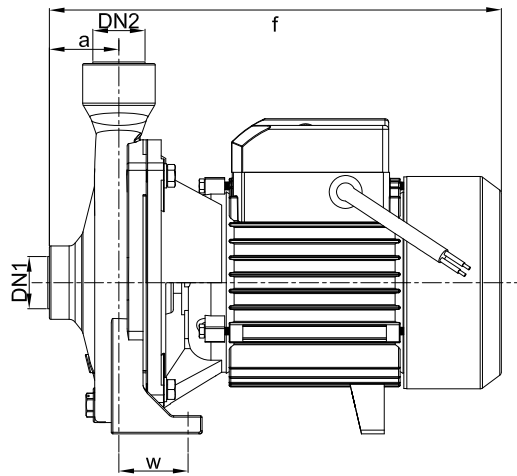
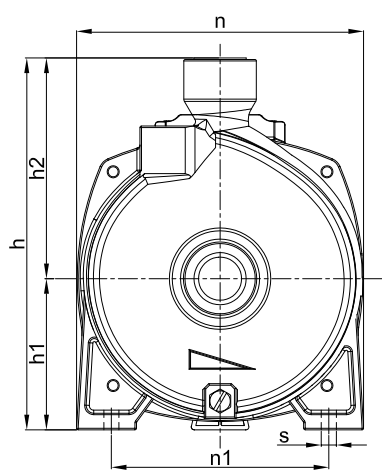
- Manometric Suction Lift Up to 8m
- Liquid Temperature between 0°C to 90°C
- Ambient Temperature Up to 40°C
- Max. Working Pressure
- 6 Bar for PCP-05, PCP-10 and 10 Bar for PCP-15, PCP-15A, PCP-20A, PCP-30A, PCP-30

Installation in applications

- Suitable for clean water that does not contain abrasive particles and liquids that are not chemically aggressive towards the materials from which the pump is made.
- Thanks for it's reliability, the fact that these pumps are easy to use and very economical, these are ideal for domestic and civil use and in particular for distributing water in combination with small and medium pressure sets, irrigation of gardens and allotment. The pump should be installed in an enclosed environment, or at least sheltered from inclement weather.



MODEL	PORTS		DIMENSIONS IN MM											KG
	DN1	DN2	a	f	h	h1	h2	h3	m	n	n1	w	s	
PCP-05	1" -1"		42	245	152	63	75	138	80	120	100	55	7	5.3



MODEL	PORTS		DIMENSIONS IN MM									KG
	DN1	DN2	a	f	h	h1	h2	n	n1	w	s	
PCP-10	1"	1"	42	285	240	92	148	190	160	38	10	12
PCP-15	1 1/4"	1"	51	367	260	110	150	206	165	44.5	11	17.5
PCP-15A	2"	2"	60	380	280	110	170	206	145	85	11	21
PCP-20A	2"	2"	60	380	280	110	170	206	145	85	11	22.5
PCP-30A	2"	2"	51	380	280	110	170	210	135	100	11	28.5
PCP-30	3"	3"	70	40	305	120	185	240	190	-	11	32.5

Hydraulic Pump Performance Chart

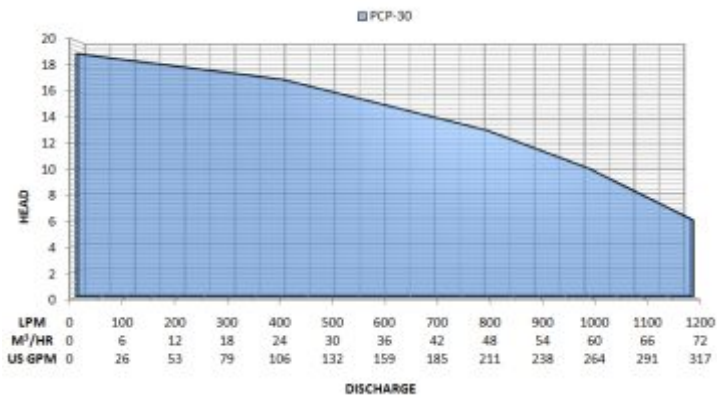
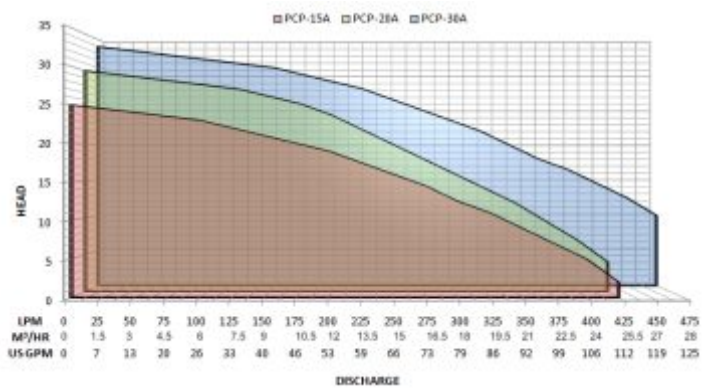
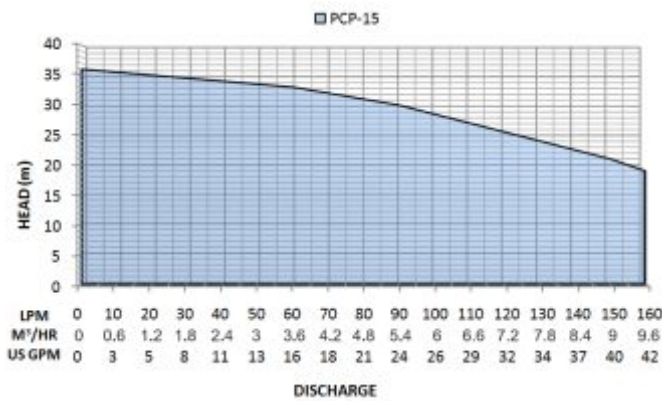
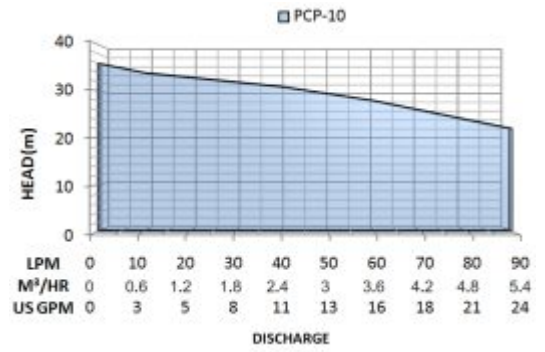
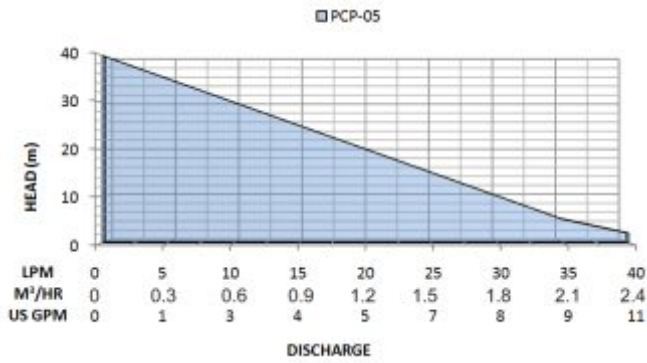
Model	Power		Phase	Inlet / Outlet	Max. Flow (lpm)	Max. Head (m)	Max. Suction (m)
	KW	HP					
PCP-05	0.37	0.5	1 Phase	1" X 1"	40	40	8
PCP-10	0.75	1		1" X 1"	100	35	8
PCP-15	1.1	1.5		1 1/4" X 1"	170	36	8
PCP-15A	1.1	1.5		2" X 2"	450	25	8
PCP-20A	1.5	2		2" X 2"	450	30	8
PCP-30A	2.2	3		2" X 2"	500	34	8
PCP-30	2.2	3		3" X 3"	1300	19	8

Performance Chart

2900 RPM

Model	Power		Q	US GPM	0	1	3	4	5	7	8	9	10											
	KW	HP		M ³ /HR	0	0.3	0.6	0.9	1.2	1.5	1.8	2.1	2.4											
				LPM	0	5	10	15	20	25	30	35	40											
PCP-05	0.37	0.5	H Meters	40	35	30	25	20	15	10	5	2												
Model	Power		Q	US GPM	0	3	5	8	11	13	16	18	21	24										
	KW	HP		M ³ /HR	0	0.6	1.2	1.8	2.4	3	3.6	4.2	4.8	5.4	6	6.6	7.2	7.8	8.4	9	9.6			
				LPM	0	10	20	30	40	50	60	70	80	90	100	110	120	130	140	150	160			
PCP-10	0.75	1	H Meters	36	34	33	32	31	29.5	28	26	24	22											
PCP-15	1.1	1.5		36	35.5	35	34.5	34	33.5	33	32	31	30	28.5	27	25.5	24	22.5	21	19				
Model	Power		Q	US GPM	0	13	26	40	53	66	79	92	106	119										
	KW	HP		M ³ /HR	0	1.5	3	4.5	6	7.5	9	10.5	12	13.5	15	16.5	18	19.5	21	22.5	24	25.5	27	28
				LPM	0	25	50	75	100	125	150	175	200	225	250	275	300	325	350	375	400	425	450	475
PCP-15A	1.1	1.5	H Meters	25	24.5	24	23.5	23	22	21	20	19	17.5	16	14.5	12.5	11	9	7	5	2			
PCP-20A	1.5	2		30	29.5	29	28.5	28	27.5	26.5	25.5	24	22	20	18	16	14	12	9.5	7	4			
PCP-30A	2.2	3		34	33.5	33	32.5	32	31.5	31	30	29	28	26.5	25	23.5	22	20	18	16.5	14.5	12.5	10	
Model	Power		Q	US GPM	0	26	55	79	106	132	159	185	211	238	264	291	317							
	KW	HP		M ³ /HR	0	6	12	18	24	30	36	42	48	54	60	66	72							
				LPM	0	100	200	300	400	500	600	700	800	900	1000	1100	1200							
PCP-30	2.2	3	H Meters	19	18.5	18	17.5	17	16	15	14	13	11.5	10	8	6								

Hydraulic Performance Curve



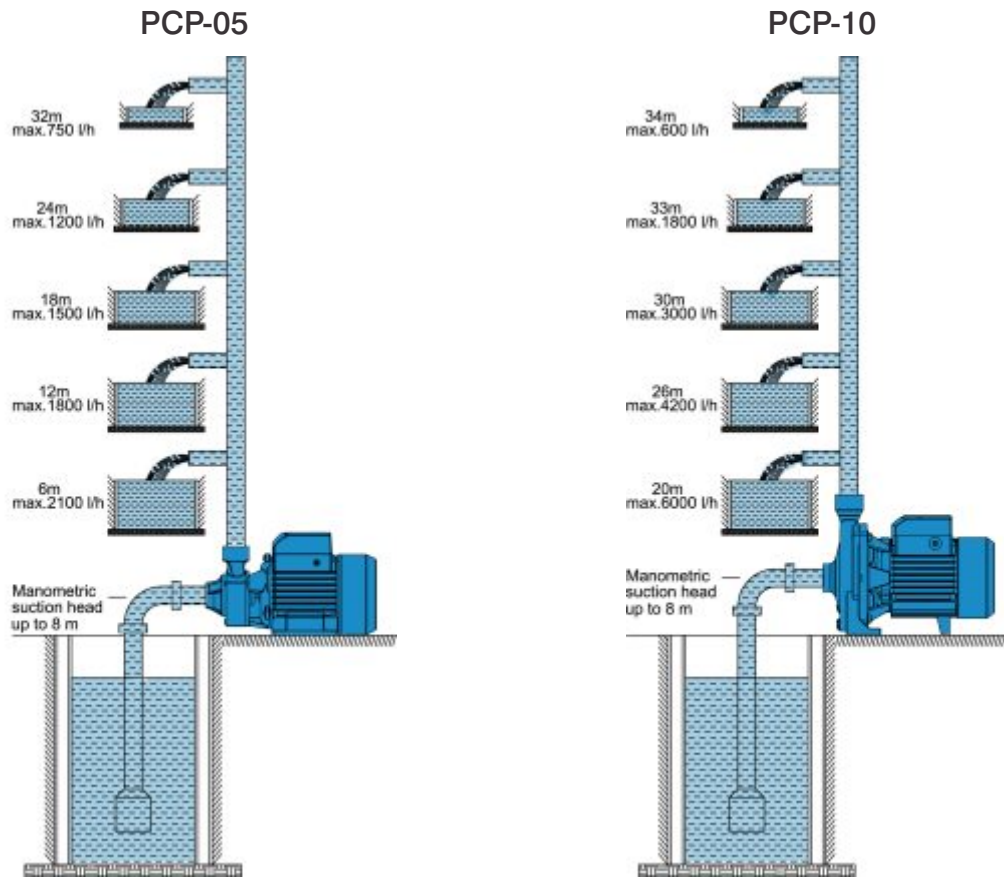
Hydraulic Performance Curve

Pressure		Diameter of Nozzle (inches*) mm								
		5/64"	5/32"	1/4"	5/16"	25/64"	15/32"	5/8"	25/32"	1"
kpa	psi	2	4	6	8	10	12	16	20	25
200	29	0.06	0.25	0.56	1.01	1.57	2.26	4.02	6.29	9.82
300	43	0.08	0.31	0.69	1.23	1.93	2.77	4.93	7.70	12.03
400	58	0.09	0.36	0.80	1.42	2.22	3.20	5.69	8.89	13.89
500	73	0.10	0.40	0.89	1.59	2.48	3.58	6.36	9.94	15.53
600	87	0.11	0.43	0.98	1.74	2.72	3.92	6.97	10.89	17.02
700	102	0.12	0.47	1.06	1.88	2.94	4.23	7.53	11.76	18.38
800	116	0.12	0.50	1.13	2.01	3.14	4.53	8.05	12.58	19.65
900	131	0.13	0.53	1.20	2.13	3.33	4.80	8.54	13.34	20.84
1000	145	0.14	0.56	1.26	2.25	3.52	5.06	9.00	14.06	21.97

Lawn sprinkler application and Irrigation



Domestic Application



What Pump Do I Need?

Application	Domestic	PCP 05 / PCP 10
Application	Water transfer Irrigation Household water supply Other	PCP 15 / PCP 15A / PCP 20A/ PCP 30/ PCP 30A
Water Source	Above ground tank Underground tank River Dam Other	
Power Supply	240 V Single phase (50Hz)	
Water Requirement	Household House only House and garden Showers Sprinklers Evaporative air-conditioned connected Irrigation Sprinkler Automatic operation Manual operation Water Transfer Lift from pump(A) to point of discharge(B)	

PRAKASH

Worldwide



Scan QR Code to Get
Quotation by Email



Scan QR Code to Get
Quotation by SMS



Scan QR Code to
Download e-Catalogue



Prakash Pump

Naroda Road, Ahmedabad-380025. Gujarat, India

Phone : +919925249371 | Email: info@prakashpump.com | www.prakashpump.com

UAE : 00971 50 6731283 | 00971 37222733

Oman : 00968 95690021 | 00968 26883982