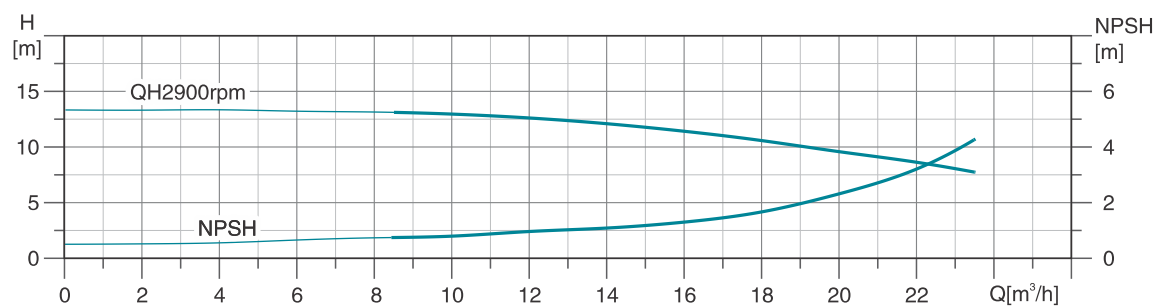
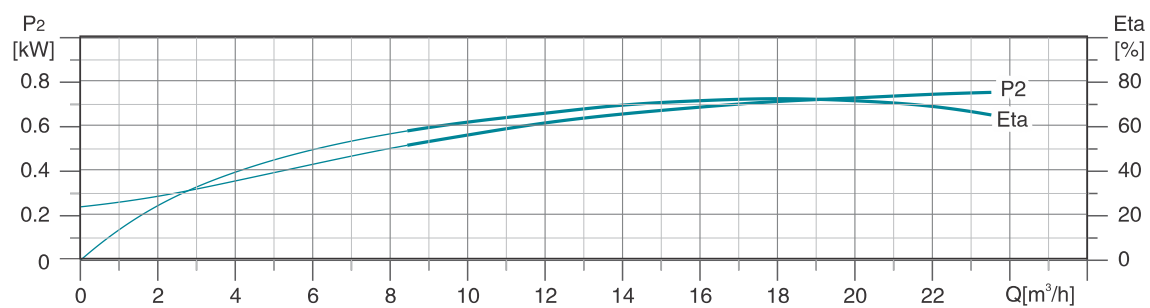
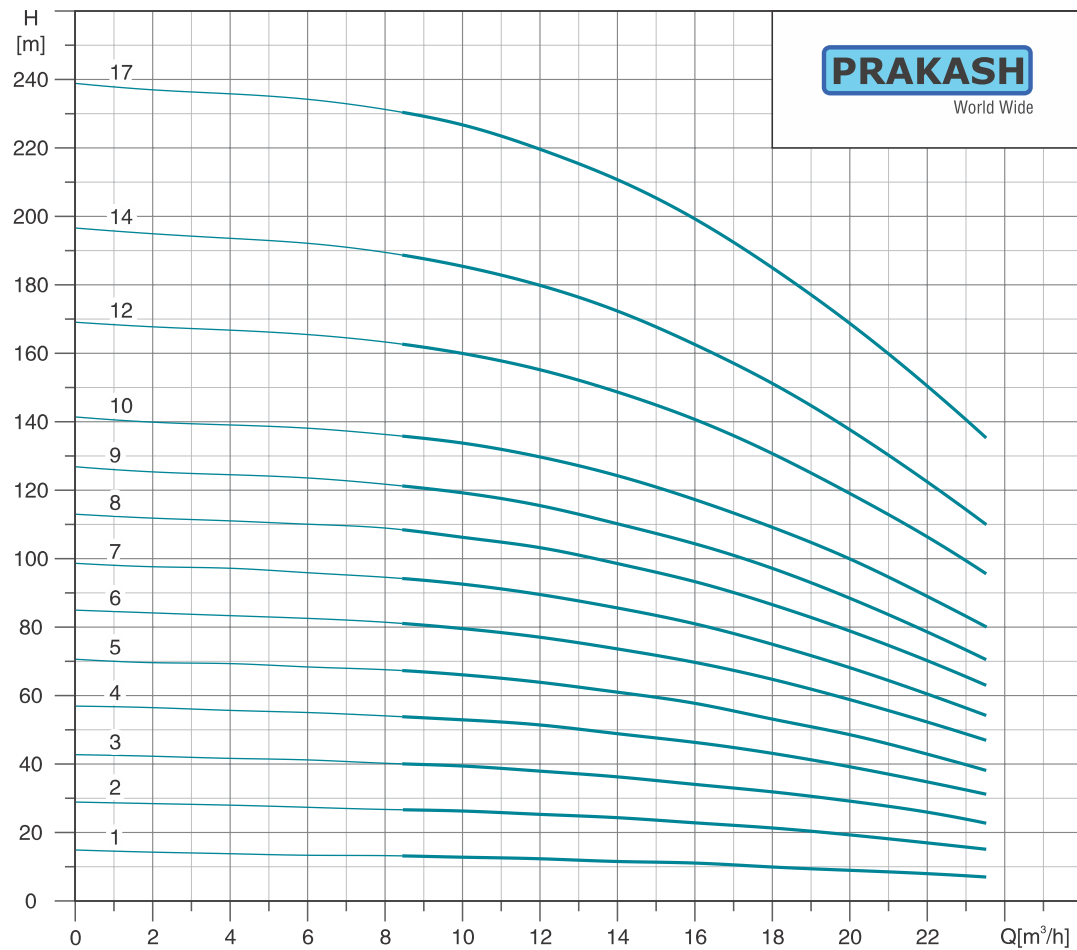


## HYDRAULIC PERFORMANCE CURVE PVMP15

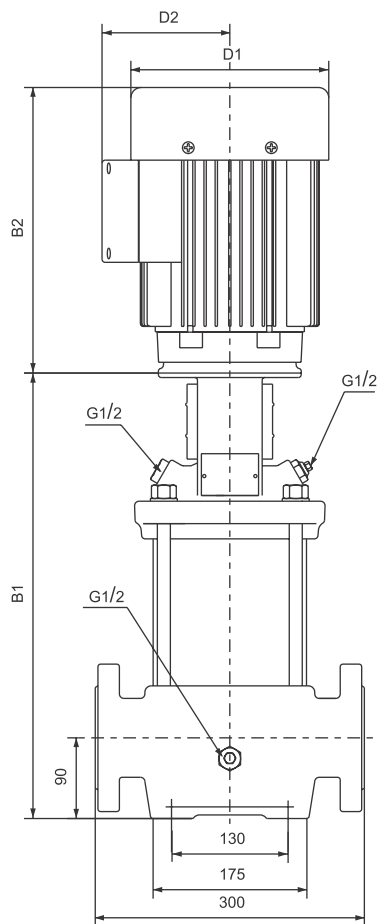


SERVICE AT YOUR DOOR STEP ✓

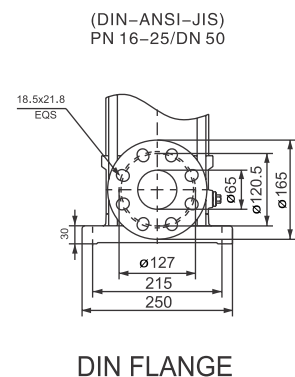
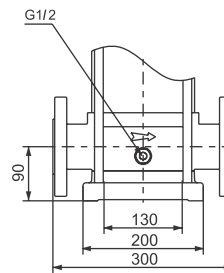
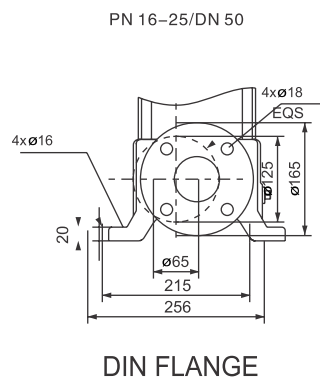
**PERFORMANCE CHART PVMP15**

| Model     | POWER |     | FLOW           | US GPM<br>M3/h<br>LPM | 0   | 13  | 26  | 40  | 53  | 66  | 79  | 92  |
|-----------|-------|-----|----------------|-----------------------|-----|-----|-----|-----|-----|-----|-----|-----|
|           | Kw    | HP  |                |                       | 0   | 3   | 6   | 9   | 12  | 15  | 18  | 21  |
|           |       |     |                |                       | 0   | 50  | 100 | 150 | 150 | 250 | 300 | 350 |
| PVMP15-1  | 1.1   | 1.5 | HEAD IN METERS |                       | 15  | 15  | 13  | 13  | 12  | 11  | 10  | 9   |
| PVMP15-2  | 2.2   | 3.0 |                | 28                    | 28  | 27  | 26  | 25  | 23  | 21  | 18  |     |
| PVMP15-3  | 3     | 4.0 |                | 42                    | 42  | 41  | 40  | 38  | 36  | 32  | 28  |     |
| PVMP15-4  | 4     | 5.5 |                | 58                    | 58  | 55  | 55  | 51  | 48  | 43  | 38  |     |
| PVMP15-5  | 4     | 5.5 |                | 70                    | 70  | 68  | 66  | 64  | 60  | 53  | 48  |     |
| PVMP15-6  | 5.5   | 7.5 |                | 83                    | 83  | 82  | 80  | 77  | 72  | 64  | 58  |     |
| PVMP15-7  | 5.5   | 7.5 |                | 98                    | 98  | 96  | 94  | 89  | 84  | 75  | 65  |     |
| PVMP15-8  | 7.5   | 10  |                | 112                   | 112 | 110 | 108 | 103 | 97  | 86  | 75  |     |
| PVMP15-9  | 7.5   | 10  |                | 125                   | 125 | 123 | 120 | 115 | 108 | 97  | 84  |     |
| PVMP15-10 | 11    | 15  |                | 140                   | 140 | 138 | 136 | 129 | 120 | 109 | 95  |     |
| PVMP15-12 | 11    | 15  |                | 168                   | 168 | 165 | 162 | 155 | 145 | 130 | 114 |     |
| PVMP15-14 | 11    | 15  |                | 194                   | 194 | 192 | 188 | 180 | 168 | 151 | 130 |     |
| PVMP15-17 | 15    | 20  |                | 237                   | 237 | 234 | 230 | 221 | 208 | 185 | 160 |     |

**Dimension Drawing**



| MODEL     | DIN PVMP(C) |       | DIN PVMP(S) |       | D1  | D2  |
|-----------|-------------|-------|-------------|-------|-----|-----|
|           | B1          | B1+B2 | B1          | B1+B2 |     |     |
| PVMP15-1  | 354         | 604   | 352         | 602   | 155 | 124 |
| PVMP15-2  | 415         | 725   | 413         | 723   | 175 | 137 |
| PVMP15-3  | 465         | 795   | 463         | 793   | 195 | 151 |
| PVMP15-4  | 510         | 867   | 508         | 865   | 219 | 169 |
| PVMP15-5  | 555         | 912   | 553         | 910   | 219 | 169 |
| PVMP15-6  | 632         | 1030  | 630         | 1028  | 258 | 188 |
| PVMP15-7  | 677         | 1075  | 675         | 1073  | 258 | 188 |
| PVMP15-8  | 722         | 1120  | 720         | 1118  | 258 | 188 |
| PVMP15-9  | 767         | 1165  | 765         | 1163  | 258 | 188 |
| PVMP15-10 | 889         | 1388  | 887         | 1386  | 315 | 242 |
| PVMP15-12 | 979         | 1478  | 977         | 1476  | 315 | 242 |
| PVMP15-14 | 1071        | 1570  | 1067        | 1566  | 315 | 242 |
| PVMP15-17 | 1204        | 1703  | 1202        | 1701  | 315 | 242 |



**NOTES:-**

PVMP(C)= PRAKASH PUMP VERTICAL MULTISTAGE CENTRIFUGAL CAST IRON BASE AND PUMP COVER  
 PVMP(S)= PRAKASH PUMP VERTICAL MULTISTAGE CENTRIFUGAL STAINLESS STEEL WETTED PARTS