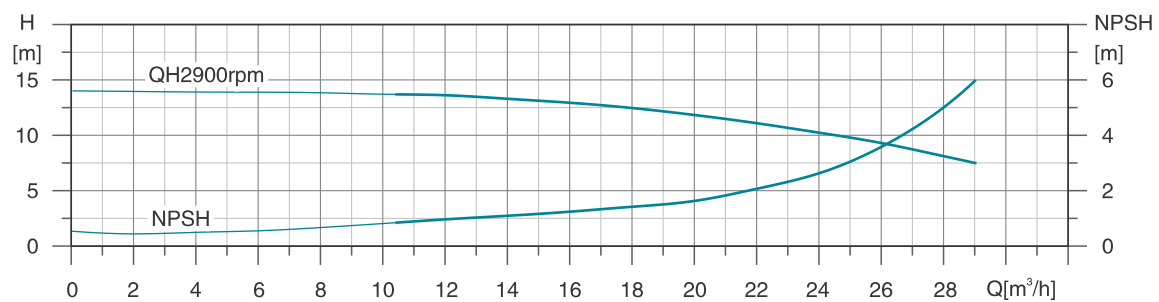
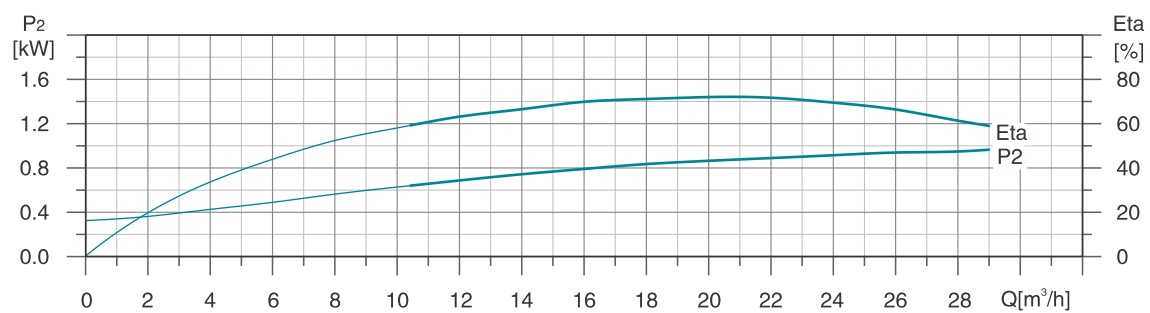
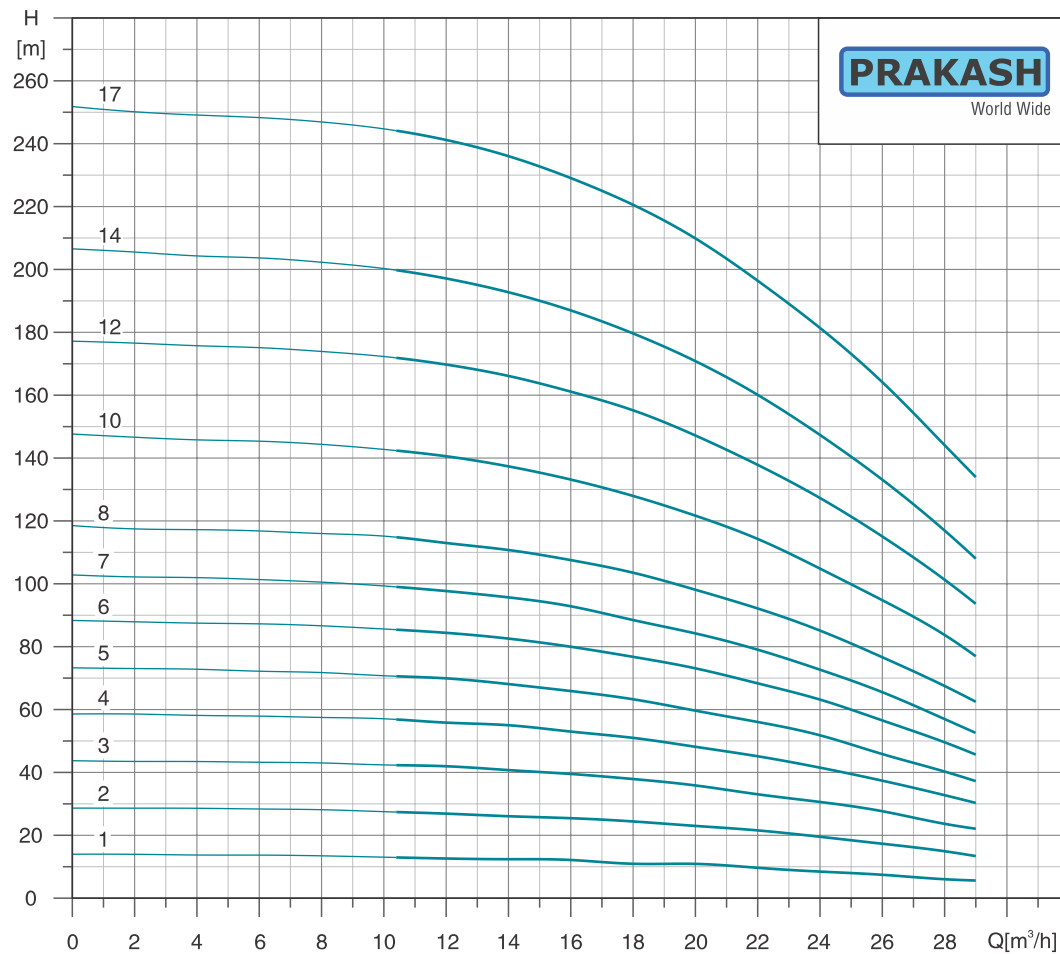


HYDRAULIC PERFORMANCE CURVE PVMP20

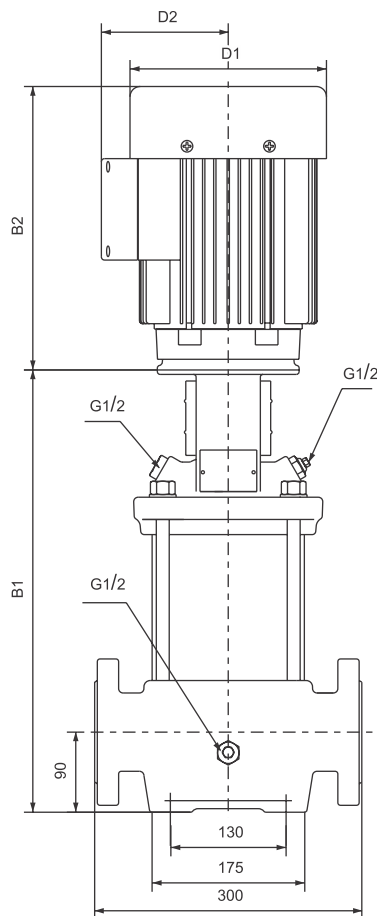


SERVICE AT YOUR DOOR STEP ✓

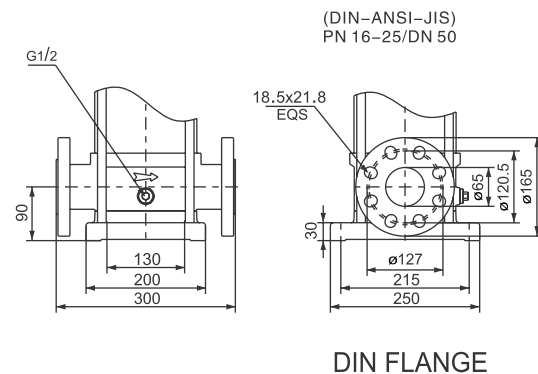
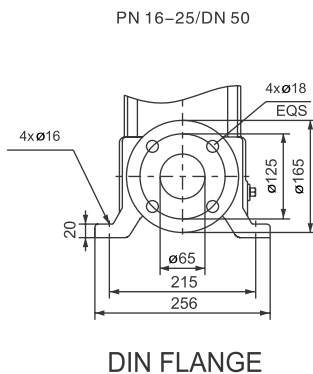
PERFORMANCE CHART PVMP20

Model	POWER		FLOW	US GPM M3/h LPM	0	18	35	53	71	88	106	123
	Kw	HP			0	4	8	12	16	10	24	28
					0	67	133	200	267	333	400	467
PVMP20-1	1.1	1.5	HEAD IN METERS		13	13	13	13	12	11	9	6.5
PVMP20-2	2.2	3.0		28	28	28	27	25	23	19	15	
PVMP20-3	4	5.5		43	43	43	42	39	36	30	23	
PVMP20-4	5.5	7.5		58	58	57	56	53	48	41	32	
PVMP20-5	5.5	7.5		73	73	72	70	66	59	52	40	
PVMP20-6	7.5	10		87	87	86	84	80	73	62	49	
PVMP20-7	7.5	10		102	102	100	97	93	84	72	57	
PVMP20-8	11	15		117	117	116	113	107	98	85	67	
PVMP20-10	11	15		146	146	144	140	132	121	105	83	
PVMP20-12	15	20		175	175	174	169	161	147	127	101	
PVMP20-14	15	20		204	204	202	197	187	171	147	117	
PVMP20-17	18.5	25		249	249	247	241	229	210	181	144	

Dimension Drawing



MODEL	DIN PVMP(C)		DIN PVMP(S)		D1	D2
	B1	B1+B2	B1	B1+B2		
PVMP20-1	354	604	352	602	155	124
PVMP20-2	415	725	413	723	175	137
PVMP20-3	465	822	463	820	219	169
PVMP20-4	542	940	540	938	258	188
PVMP20-5	587	985	585	983	258	188
PVMP20-6	632	1030	630	1028	258	188
PVMP20-7	677	1075	675	1073	258	188
PVMP20-8	799	1298	797	1296	315	242
PVMP20-10	889	1388	887	1386	315	242
PVMP20-12	979	1478	977	1476	315	242
PVMP20-14	1069	1568	1067	1566	315	242
PVMP20-17	1204	1747	1202	1745	315	242



NOTES:-

PVMP(C)= PRAKASH PUMP VERTICAL MULTISTAGE CENTRIFUGAL CAST IRON BASE AND PUMP COVER

PVMP(S)= PRAKASH PUMP VERTICAL MULTISTAGE CENTRIFUGAL STAINLESS STEEL WETTED PARTS