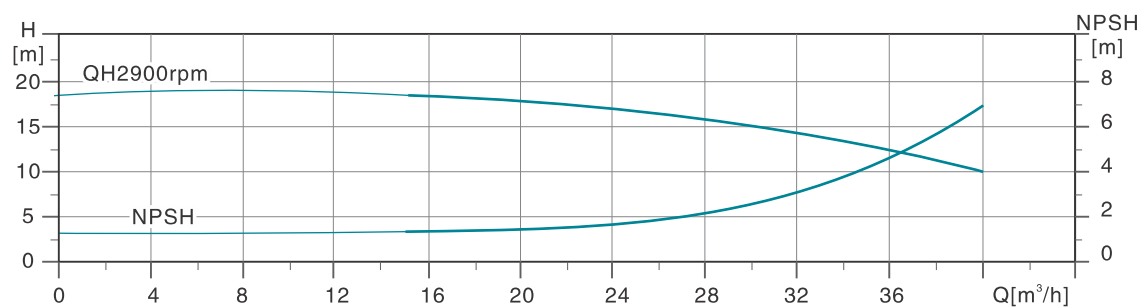
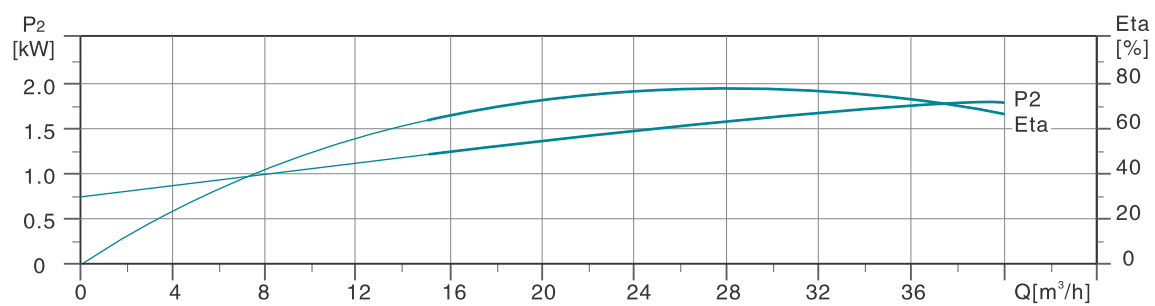
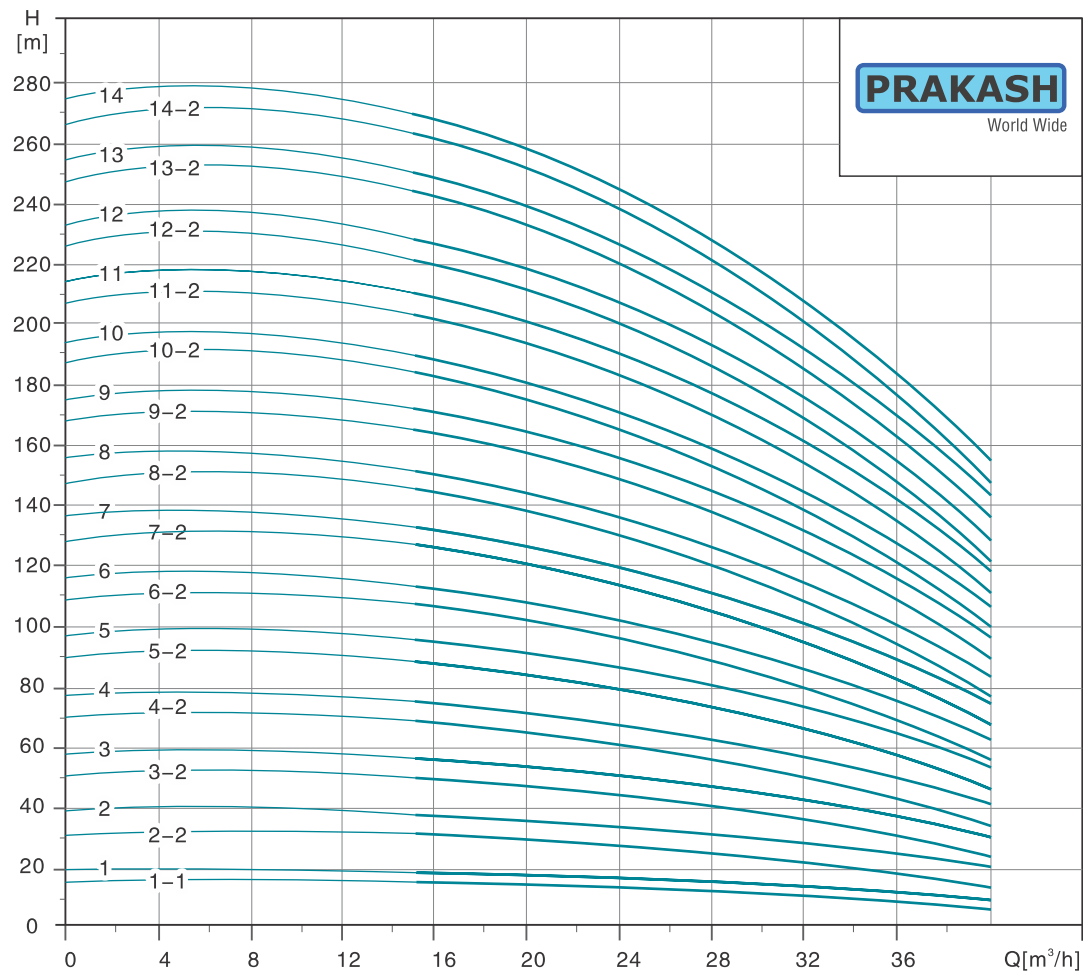


HYDRAULIC PERFORMANCE CURVE PVMP32

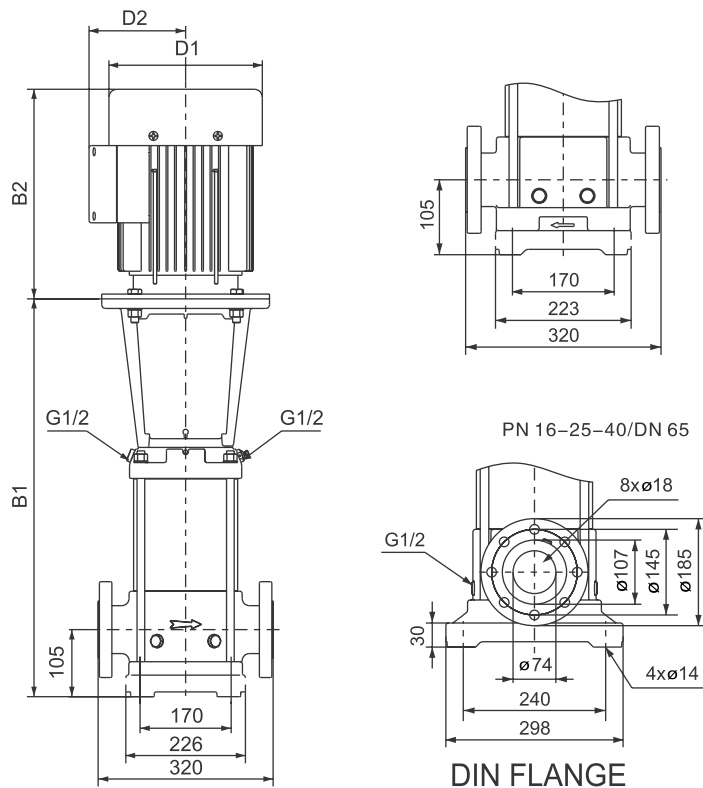


SERVICE AT YOUR DOOR STEP ✓

PERFORMANCE CHART PVMP32

Model	POWER		FLOW	US GPM M3/h LPM	0	66	88	110	141	154	176
	Kw	HP			0	15	20	25	32	35	40
					0	250	333	417	533	583	666
PVMP32-1-1	1.5	2.0	HEAD IN METERS		15	15	14	13	10.5	9	5
PVMP32-1	2.2	3.0			18	18	17	16	15	13	9
PVMP32-2-2	3	4.0			31	31	29.5	26.5	21	17.5	12
PVMP32-2	4	5.5			37	37	36.5	34	29.5	26	19.5
PVMP32-3-2	5.5	7.5			50	50	49	43.5	36	31	22.5
PVMP32-3	5.5	7.5			55.5	55.5	53	49	42	37.5	29.5
PVMP32-4-2	7.5	10			68.5	68.5	65	60	51	44	32.5
PVMP32-4	7.5	10			74.5	74.5	71	66	57	50.5	40
PVMP32-5-2	11	15			88.5	88.5	84.5	78	66	58.5	45
PVMP32-5	11	15			94.5	94.5	90	84	72	65	52
PVMP32-6-2	11	15			107	107	102	94.5	80	71	55
PVMP32-6	11	15			113	113	108	100	86.5	77.5	61.5
PVMP32-7-2	15	20			127	127	121	112	95.0	85	66.5
PVMP32-7	15	20			133	133	128	118	103	92	73.5
PVMP32-8-2	15	20			145	145	138	128	110	98	76.5
PVMP32-8	15	20			151	151	144	134	116	104	83
PVMP32-9-2	18.5	25			165	165	158	147	124	112	88.5
PVMP32-9	18.5	25			171	171	163	152	132	119	95.5
PVMP32-10-2	18.5	25			184	184	175	163	140	125	98.5
PVMP32-10	18.5	25			190	190	181	169	147	133	106
PVMP32-11-2	22	30			203	203	194	181	155	140	111
PVMP32-11	22	30			209	209	200	187	162	147	118
PVMP32-12-2	22	30			222	222	212	197	170	152	121
PVMP32-12	22	30			227	227	217	203	176	160	128
PVMP32-13-2	30	40			244	244	233	218	189	169	136
PVMP32-13	30	40			250	250	239	224	198	177	145
PVMP32-14-2	30	40			263	263	251	234	207	185	146
PVMP32-14	30	40			269	269	258	241	216	200	156

Dimension Drawing



NOTES:-

PVMP(C)= PRAKASH PUMP VERTICAL MULTISTAGE CENTRIFUGAL CAST IRON BASE AND PUMP COVER
 PVMP(S)= PRAKASH PUMP VERTICAL MULTISTAGE CENTRIFUGAL STAINLESS STEEL WETTED PARTS

MODEL	DIN FLANGE PVMP(C),(S)		D1	D2
	B1	B1+B2		
PVMP32-1-1	505	789	178	110
PVMP32-1	505	826	178	110
PVMP32-2-2	575	910	198	120
PVMP32-2	575	947	220	134
PVMP32-3-2	645	1036	220	134
PVMP32-3	645	1036	220	134
PVMP32-4-2	715	1106	220	134
PVMP32-4	715	1106	220	134
PVMP32-5-2	895	1393	334	263
PVMP32-5	895	1393	334	263
PVMP32-6-2	965	1463	334	263
PVMP32-6	965	1463	334	263
PVMP32-7-2	1035	1533	334	263
PVMP32-7	1035	1533	334	263
PVMP32-8-2	1105	1603	334	263
PVMP32-8	1105	1603	334	263
PVMP32-9-2	1175	1673	334	263
PVMP32-9	1175	1673	334	263
PVMP32-10-2	1245	1743	334	263
PVMP32-10	1245	1743	334	263
PVMP32-11-2	1315	1877	382	305
PVMP32-11	1315	1877	382	305
PVMP32-12-2	1385	1947	382	305
PVMP32-12	1385	1947	382	305
PVMP32-13-2	1455	2115	420	372
PVMP32-13	1455	2115	420	372
PVMP32-14-2	1525	2185	420	372
PVMP32-14	1525	2185	420	372