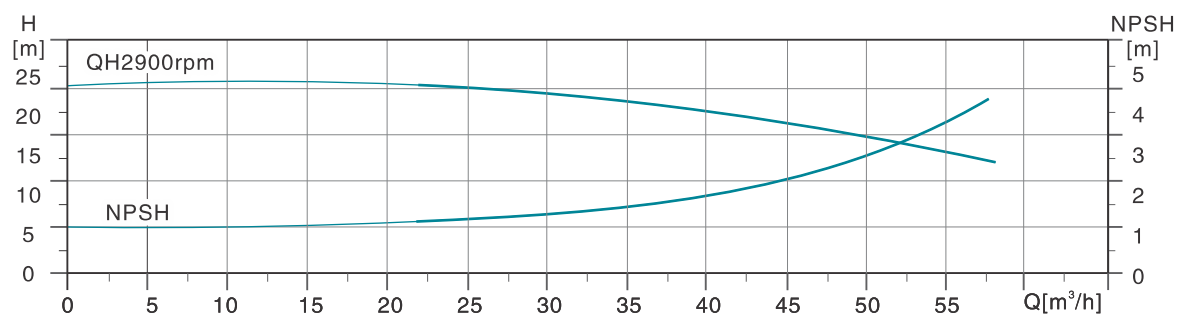
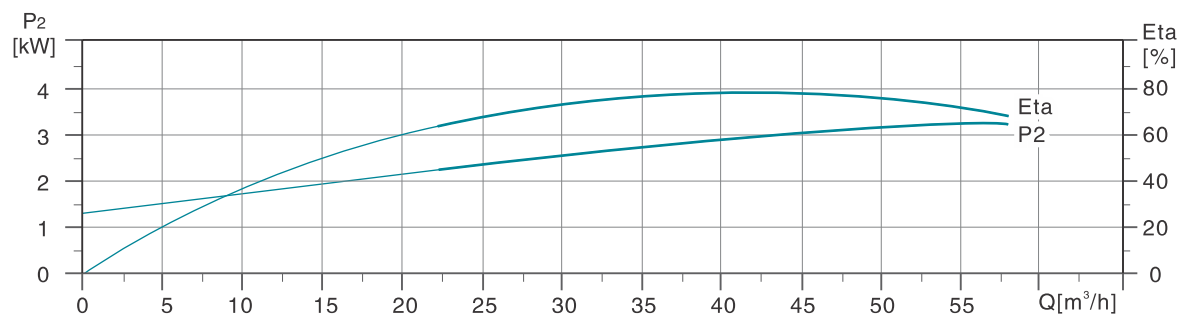
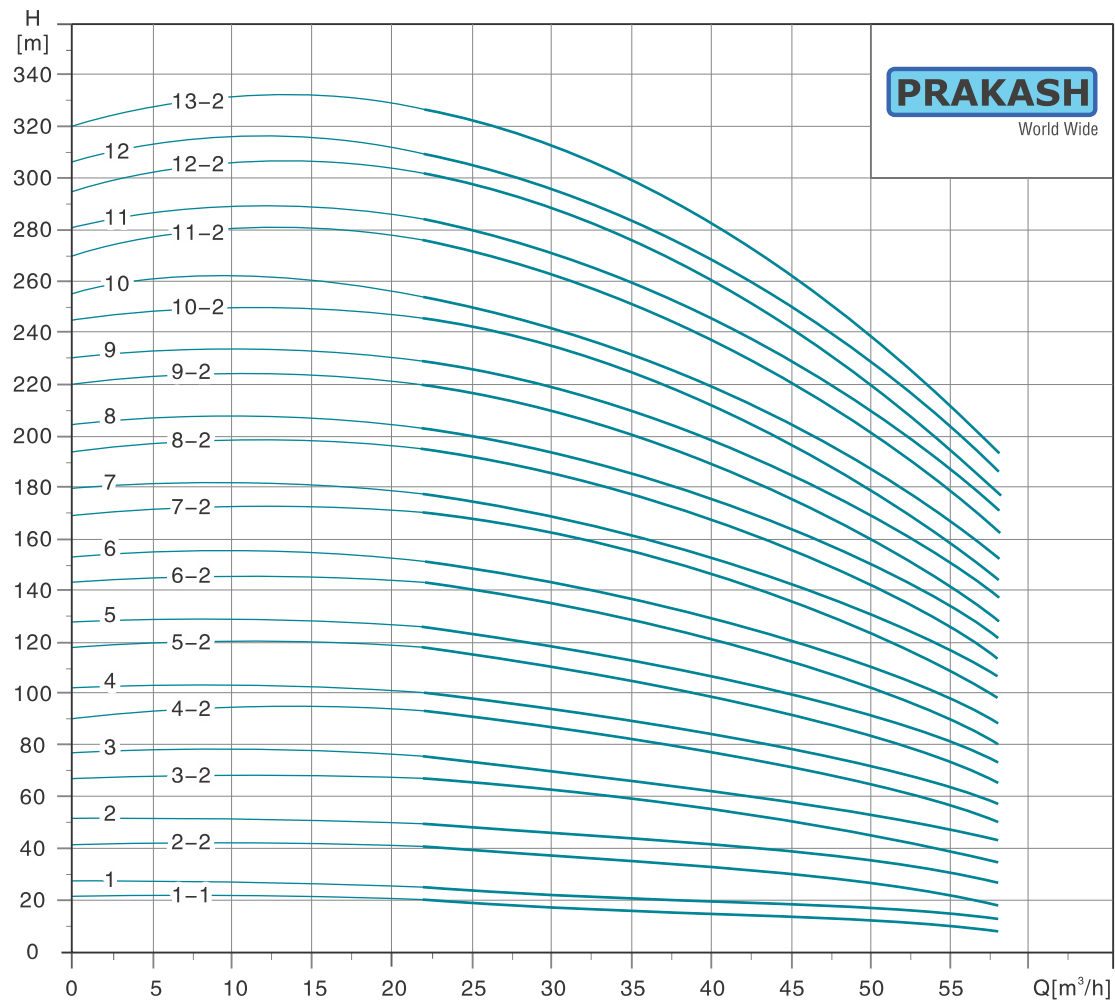


HYDRAULIC PERFORMANCE CURVE PVMP45

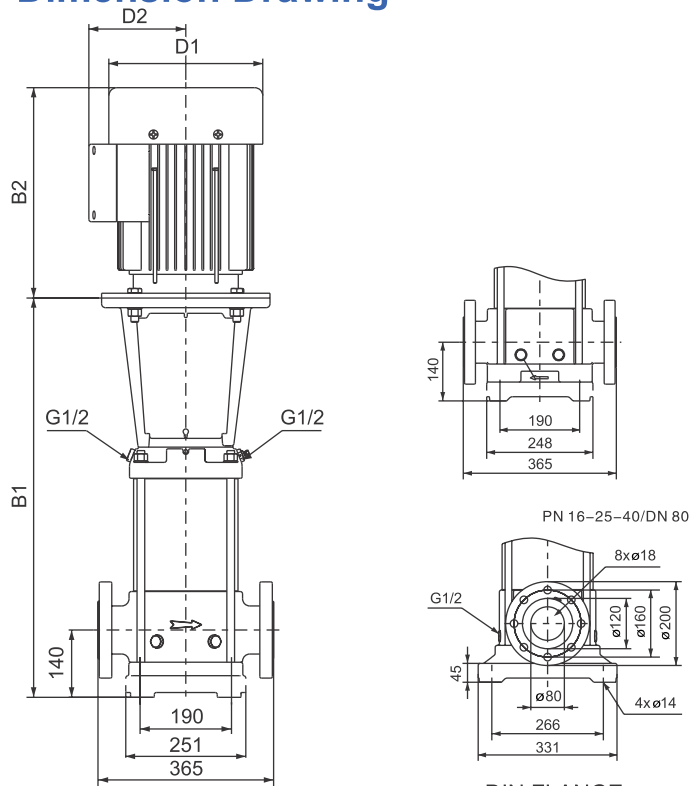


SERVICE AT YOUR DOOR STEP ✓

PERFORMANCE CHART PVMP45

Model	POWER		FLOW	US GPM M3/h LPM	0	110	132	154	176	198	220	242
	Kw	HP			0	25	30	35	40	45	50	55
					0	417	500	583	666	750	833	917
PVMP45-1-1	3	4	HEAD IN METERS	20	20	19.5	18	17	14.5	12.5	10.5	
PVMP45-1	4	5.5		24	24	23	22	20.5	19	17.5	15	
PVMP45-2-2	5.5	7.5		41	41	39	37	34	30.5	26.5	22	
PVMP45-2	7.5	10		48.5	48.5	46.5	44.5	42	39	35	31	
PVMP45-3-2	11	15		66	66	64	61	56.5	52	46	40	
PVMP45-3	11	15		73.5	73.5	71.0	68	64	59.5	54	47.5	
PVMP45-4-2	15	20		91	91	88	84	78.5	72	64.5	56	
PVMP45-4	15	20		98.5	98.5	96	91	85.5	79.5	72.5	64	
PVMP45-5-2	18.5	25		116	116	113	107	101	92.5	83.5	73	
PVMP45-5	18.5	25		124	124	120	115	108	100	91.5	81	
PVMP45-6-2	22	30		142	142	137	131	122	113	103	90	
PVMP45-6	22	30		149	149	144	138	130	121	111	98	
PVMP45-7-2	30	40		168	168	163	156	147	135	123	109	
PVMP45-7	30	40		176	176	171	163	155	144	132	116	
PVMP45-8-2	30	40		193	193	187	179	168	155	142	126	
PVMP45-8	30	40		200	200	195	187	176	164	149	134	
PVMP45-9-2	30	40		217	217	211	202	189	175	159	142	
PVMP45-9	30	40		226	226	219	210	199	185	170	151	
PVMP45-10-2	37	50		243	243	236	225	212	196	179	159	
PVMP45-10	37	50		251	251	243	233	220	205	187	166	
PVMP45-11-2	45	60		273	273	264	253	238	222	201	179	
PVMP45-11	45	60		281	281	272	261	246	230	209	187	
PVMP45-12-2	45	60		298	298	289	276	261	242	220	195	
PVMP45-12	45	60		306	306	296	284	268	251	229	204	
PVMP45-13-2	45	60	323	323	313	300	283	263	239	212		

Dimension Drawing



NOTES:-

PVMP(C)= PRAKASH PUMP VERTICAL MULTISTAGE CENTRIFUGAL CAST IRON BASE AND PUMP COVER

PVMP(S)= PRAKASH PUMP VERTICAL MULTISTAGE CENTRIFUGAL STAINLESS STEEL WETTED PARTS

MODEL	DIN FLANGE PVMP (C),(S)		D1	D2
	B1	B1+B2		
PVMP45-1-1	559	894	198	120
PVMP45-1	559	931	220	134
PVMP45-2-2	639	1030	220	134
PVMP45-2	639	1030	220	134
PVMP45-3-2	829	1327	334	263
PVMP45-3	829	1327	334	263
PVMP45-4-2	909	1407	334	263
PVMP45-4	909	1407	334	263
PVMP45-5-2	989	1487	334	263
PVMP45-5	989	1487	334	263
PVMP45-6-2	1069	1631	382	305
PVMP45-6	1069	1631	382	305
PVMP45-7-2	1149	1809	420	372
PVMP45-7	1149	1809	420	372
PVMP45-8-2	1229	1889	420	372
PVMP45-8	1229	1889	420	372
PVMP45-9-2	1309	1969	420	372
PVMP45-9	1309	1969	420	372
PVMP45-10-2	1389	2049	420	372
PVMP45-10	1389	2049	420	372
PVMP45-11-2	1469	2145	458	427
PVMP45-11	1469	2145	458	427
PVMP45-12-2	1549	2225	458	427
PVMP45-12	1549	2225	458	427
PVMP45-13-2	1629	2305	458	427