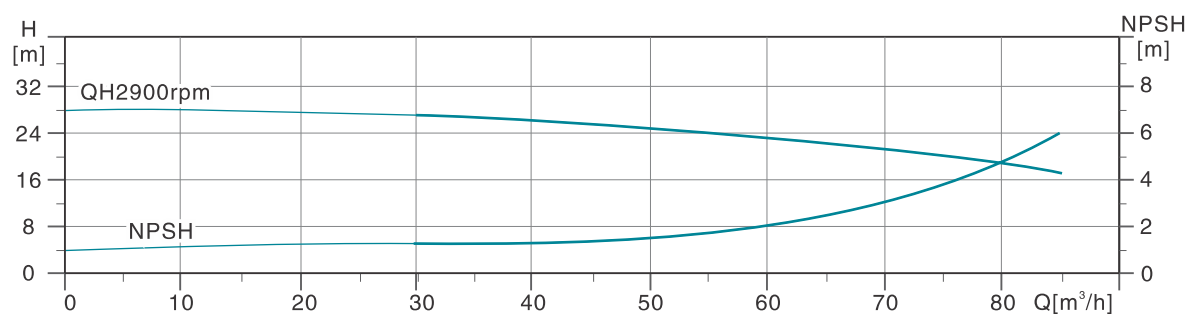
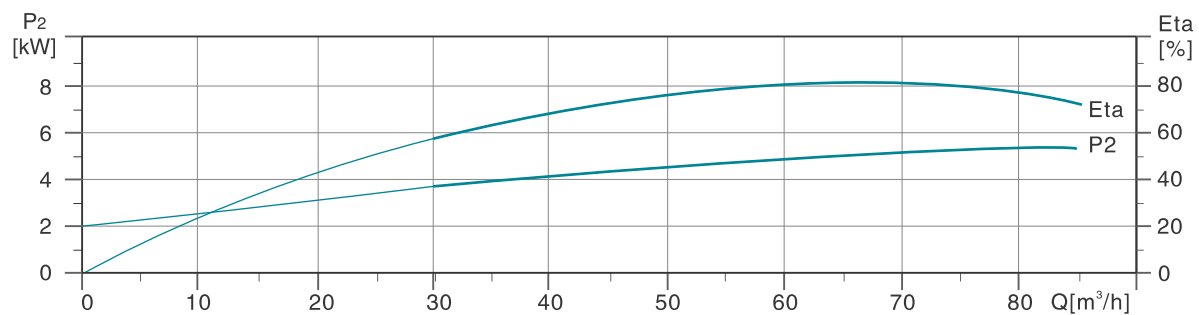
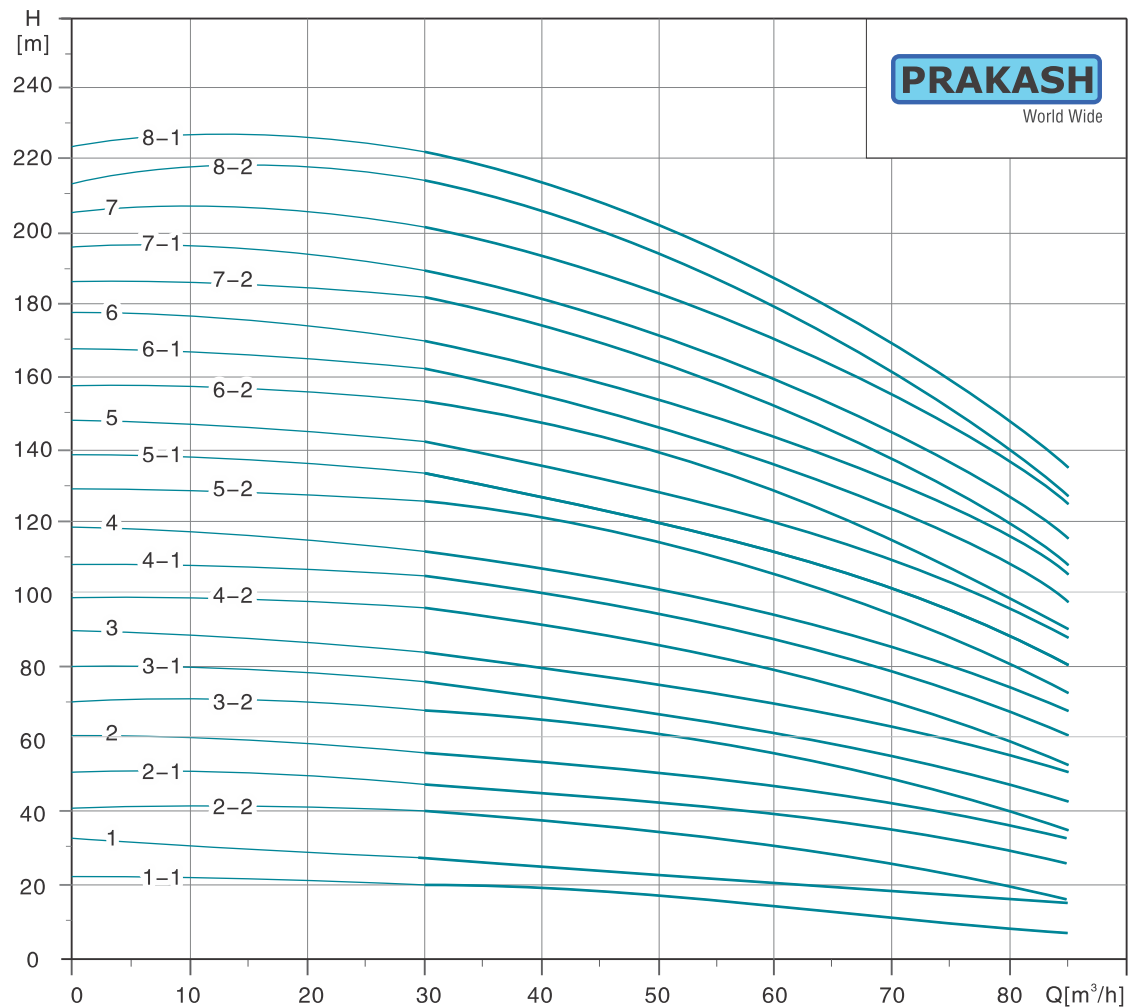


HYDRAULIC PERFORMANCE CURVE PVMP64

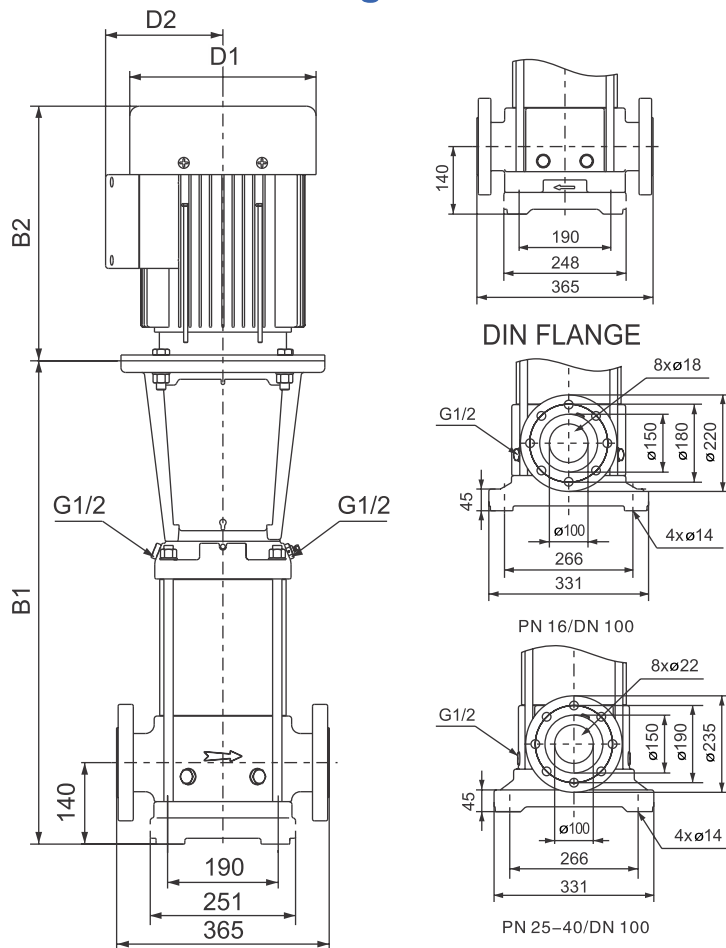


SERVICE AT YOUR DOOR STEP ✓

PERFORMANCE CHART PVMP64

Model	POWER		FLOW	US GPM M3/h LPM	0	132	176	220	282	308	352
	Kw	HP			0	30	40	50	64	70	80
					0	500	666	833	1066	1166	1333
PVMP64-1-1	4	5.5	HEAD IN METERS		20	20	19	17.5	15	13	9
PVMP64-1	5.5	7.5			27	27	25.5	23.5	21.5	20	17
PVMP64-2-2	7.5	10			40	40	38	35.5	31	27	19
PVMP64-2-1	11	15			48	48	45.5	42.5	38	34.5	29
PVMP64-2	11	15			55	55	52.5	49.5	44.5	41.5	36
PVMP64-3-2	15	20			68	68	65.5	62	54	48.5	40
PVMP64-3-1	15	20			75.5	75.5	72	67.5	60	55.5	47
PVMP64-3	18.5	25			83.5	83.5	80	76	68	64	56
PVMP64-4-2	18.5	25			96	96	92.5	87	76	70	59
PVMP64-4-1	22	30			104	104	100.0	94.5	82.5	78.5	67.5
PVMP64-4	22	30			112	112	108	102	91	85.5	74.5
PVMP64-5-2	30	40			126	126	122	115	100	94	80.5
PVMP64-5-1	30	40			134	134	129	122	106	100	88
PVMP64-5	30	40			141	141	136	129	113	107	96
PVMP64-6-2	30	40			154	154	148	140	122	115	99
PVMP64-6-1	37	50			162	162	156	147	129	122	108
PVMP64-6	37	50			170	170	164	155	136	128	116
PVMP64-7-2	37	50			182	182	176	166	145	136	119
PVMP64-7-1	37	50			190	190	183	173	151	142	126
PVMP64-7	45	60			202	202	194	184	163	155	136
PVMP64-8-2	45	60			214	214	207	196	172	162	140
PVMP64-8-1	45	60			222	222	214	203	180	170	148

Dimension Drawing



NOTES:-

PVMP(C)= PRAKASH PUMP VERTICAL MULTISTAGE CENTRIFUGAL CAST IRON BASE AND PUMP COVER

PVMP(S)= PRAKASH PUMP VERTICAL MULTISTAGE CENTRIFUGAL STAINLESS STEEL WETTED PARTS

WWW.PRAKASHPUMP.COM

MODEL	DIN FLANGE PVMP (C),(S)		D1	D2
	B1	B1 + B2		
PVMP64-1-1	561	933	220	134
PVMP64-1	561	952	220	134
PVMP64-2-2	644	1035	220	134
PVMP64-2-1	754	1252	334	263
PVMP64-2	754	1252	334	263
PVMP64-3-2	836	1334	334	263
PVMP64-3-1	836	1334	334	263
PVMP64-3	836	1334	334	263
PVMP64-4-2	919	1417	334	263
PVMP64-4-1	919	1481	382	305
PVMP64-4	919	1481	382	305
PVMP64-5-2	1001	1661	420	372
PVMP64-5-1	1001	1661	420	372
PVMP64-5	1001	1661	420	372
PVMP64-6-2	1084	1744	420	372
PVMP64-6-1	1084	1744	420	372
PVMP64-6	1084	1744	420	372
PVMP64-7-2	1166	1826	420	372
PVMP64-7-1	1166	1826	420	372
PVMP64-7	1166	1842	458	427
PVMP64-8-2	1249	1925	458	427
PVMP64-8-1	1249	1925	458	427