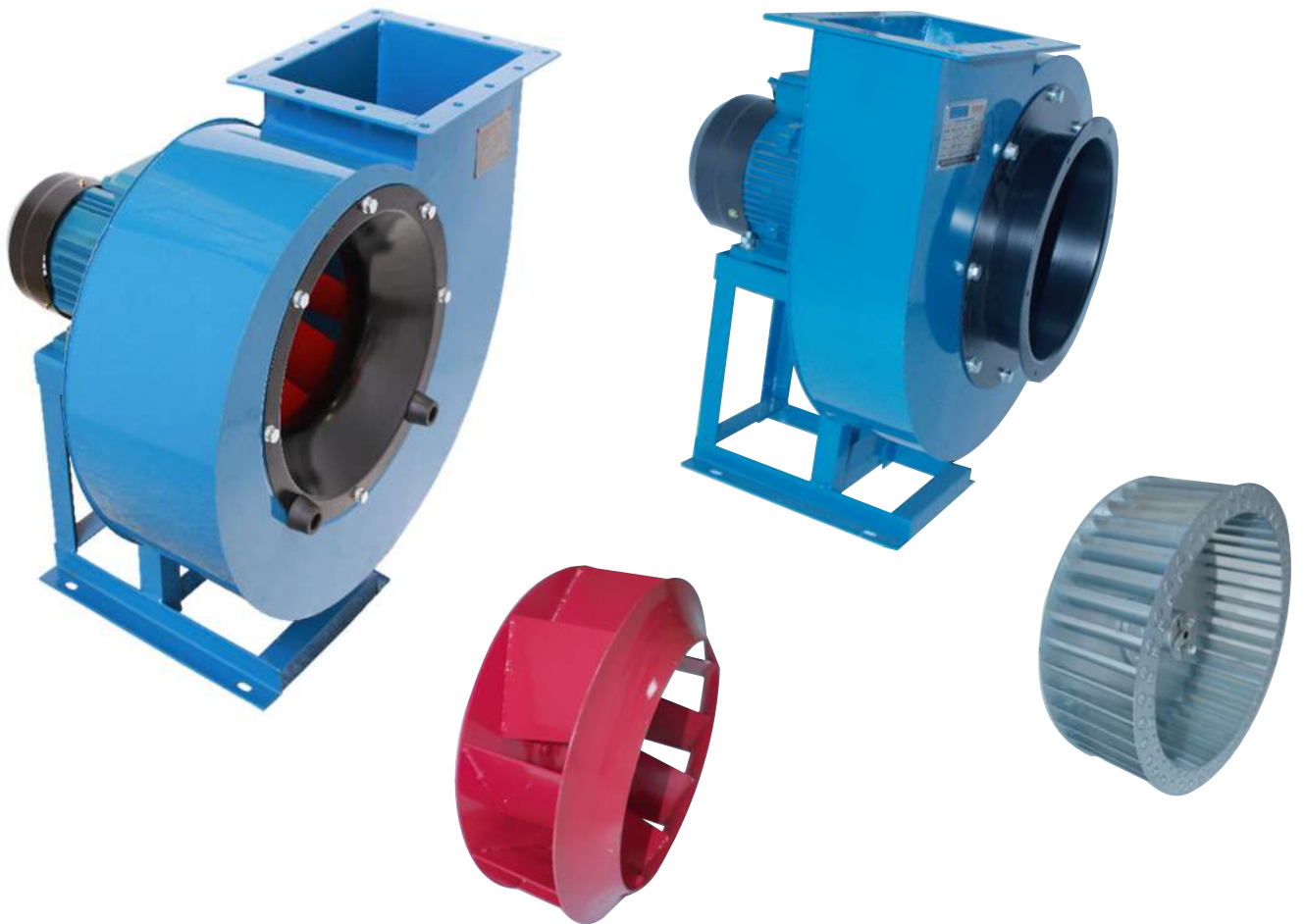


PRAKASH

Quality, Reliability, Life

Centrifugal Ventilator/ Blower



Applications

- Industrial and Domestic
- Mining Enterprises, HVAC System
- Large buildings, indoor and outdoor ventilators
- Chemical, food, grain, drying, and machinery industries
- Shopping malls, schools, hotels, restaurants

Application Limits

- Gas temperature up to 80°C
- Hard particles: are not more than 150mg/m²
- Large volume of air with low pressure to handle
Clean air at low temperature
- Efficiency ≥ 80%
- Noise: ≤ 82 dB

Performance Range

- Flow: up to 10571 CFM (air volume)
- Pressure: up to 2554 Pascal (Pa)
- Speed: 1450 & 2900 RPM
- Power: 0.75kw – 7.5kw

Motor details

- Power rating: 0.75kw – 7.5kw
- Motor speed: 1450 & 2900 RPM (4 and 2pole)
- Power supply: Three phase 380-420Vac, 50Hz
Single phase 220-240Vac, 50Hz
- Insulation class: F
- Motor efficiency: IE1, IE2, and IE3
- Protection class: IP54
- Duty cycle: S1
- Mounting type: B35 frame with feet and end-shield

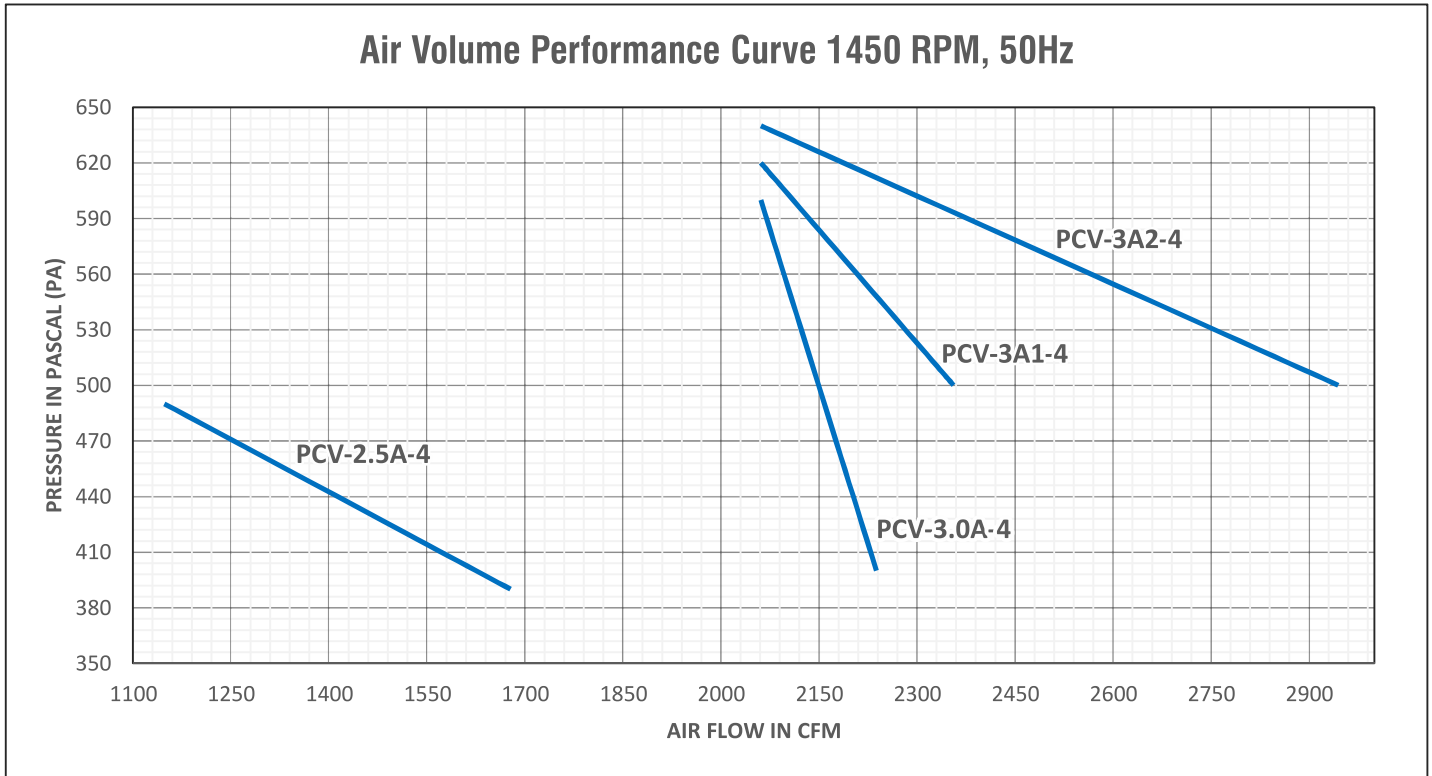
Salient feature:

- ❖ Centrifugal ventilators can transport air and other non-spontaneous combustion.
- ❖ Large air volume, low vibration, low noise, the shape is beautiful and generous.
- ❖ The fan has the characteristics of good aerodynamic performance, balanced operation, small vibration, high efficiency, low energy consumption, and long life.
- ❖ viscous substances are not allowed in the air.

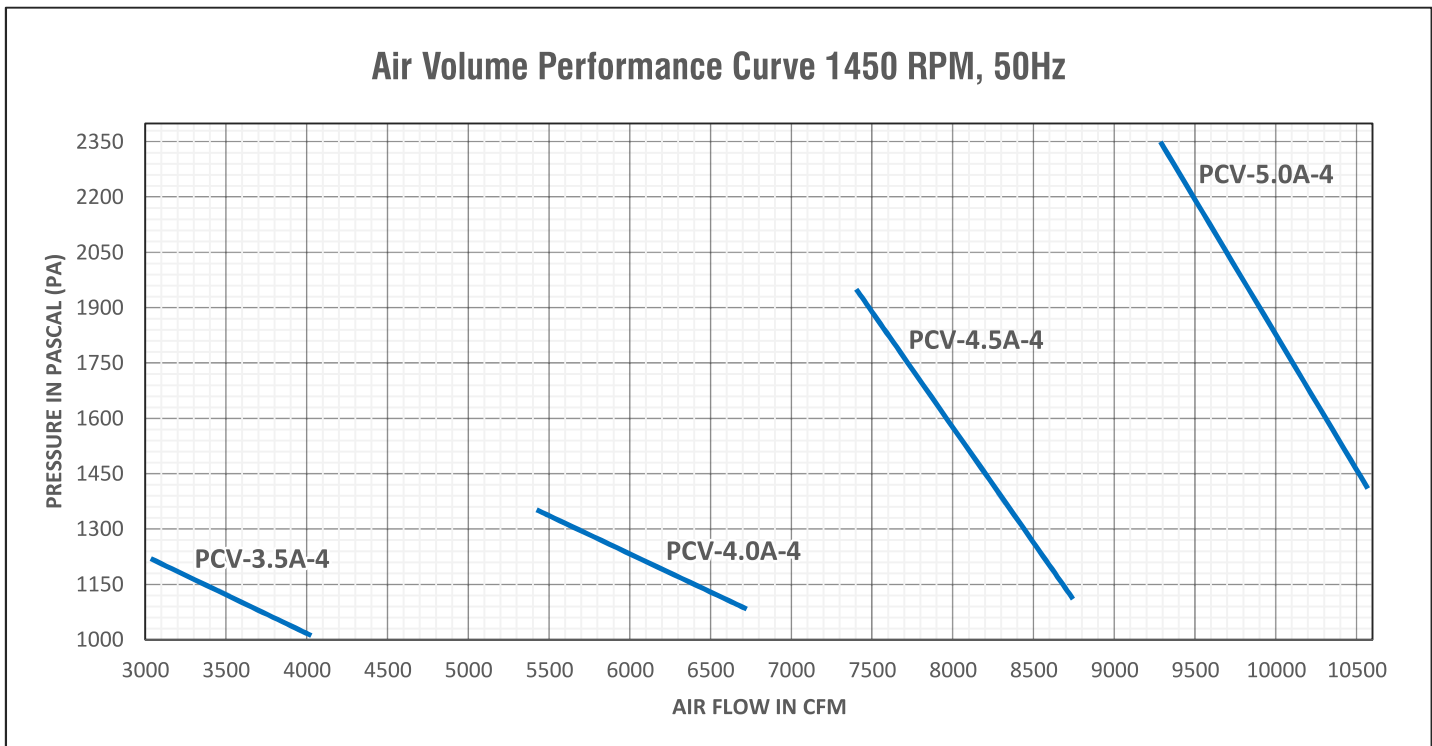
Ventilator Selection Charts

Model	Power		Voltage 50hz	Inlet Ø (mm)	Outlet L*W (mm)	Speed (RPM)	Air Flow Range		Pressure Range (Pascal)	Impeller Passage	Impeller inner (shaft) Ø	Net weight without motor (Kg)
	Kw	HP					M3/H	CFM				
PCV-2.5A-2	1.1	1.5	220/380v	245	200*165	2900	806-1679	474-988	792-483	63	19	13.6
PCV-2.5A-4	0.75	1.0	220/380v	182	165*120	1450	1951-2851	1148-1678	490-390	80	19	7.5
PCV-2.8A-2	1.5	2.0	220/380v	280	225*200	2900	1132-2359	666-1388	994-606	70	24	17.2
PCV-3.0A-4	1.1	1.5	220/380v	250	300*200	1450	3502-3803	2061-2238	600-400	101	24	14.3
PCV-3A1-4	1.5	2.0	220/380v	255	220*125	1450	3502-4003	2061-2356	620-500	101	24	14.3
PCV-3A2-4	2.2	3.0	220/380v	278	240*195	1450	3502-5004	2061-2945	640-500	140	28	18.7
PCV-3.2A-2	2.2	3.0	220/380v	315	250*216	2900	1688-3517	993-2070	1300-792	80	24	21.4
PCV-3.5A-4	3.0	4.0	380v	265	240*245	1450	5153-6844	3033-4028	1220-1011	60	28	26.6
PCV-3.6A-2	3.0	4.0	380v	360	290*252	2900	2664-5268	1568-3101	1587-989	90	28	27.4
PCV-3.6A2-2	4.0	5.5	380v	360	290*252	2900	3010-5730	1772-3372	1786-1130	90	28	28
PCV-4.0A-2	5.5	7.5	380v	400	325*280	2900	4012-7419	2361-4367	2014-1320	101	38	36.8
PCV-4.0A-4	4.0	5.5	380v	325	325*280	1450	9216-11424	5424-6724	1352-1083	160	28	37.1
PCV-4.5A-2	7.5	10	380v	440	360*315	2900	5712-10562	3362-6216	2554-1673	111	38	49.8
PCV-4.5A-4	5.5	7.5	380v	350	360*315	1450	12578-14860	7403-8746	1950-1110	245	38	48.2
PCV-5.0A-4	7.5	10	380v	415	400*350	1450	15779-17961	9287-10571	2350-1410	245	38	62.5

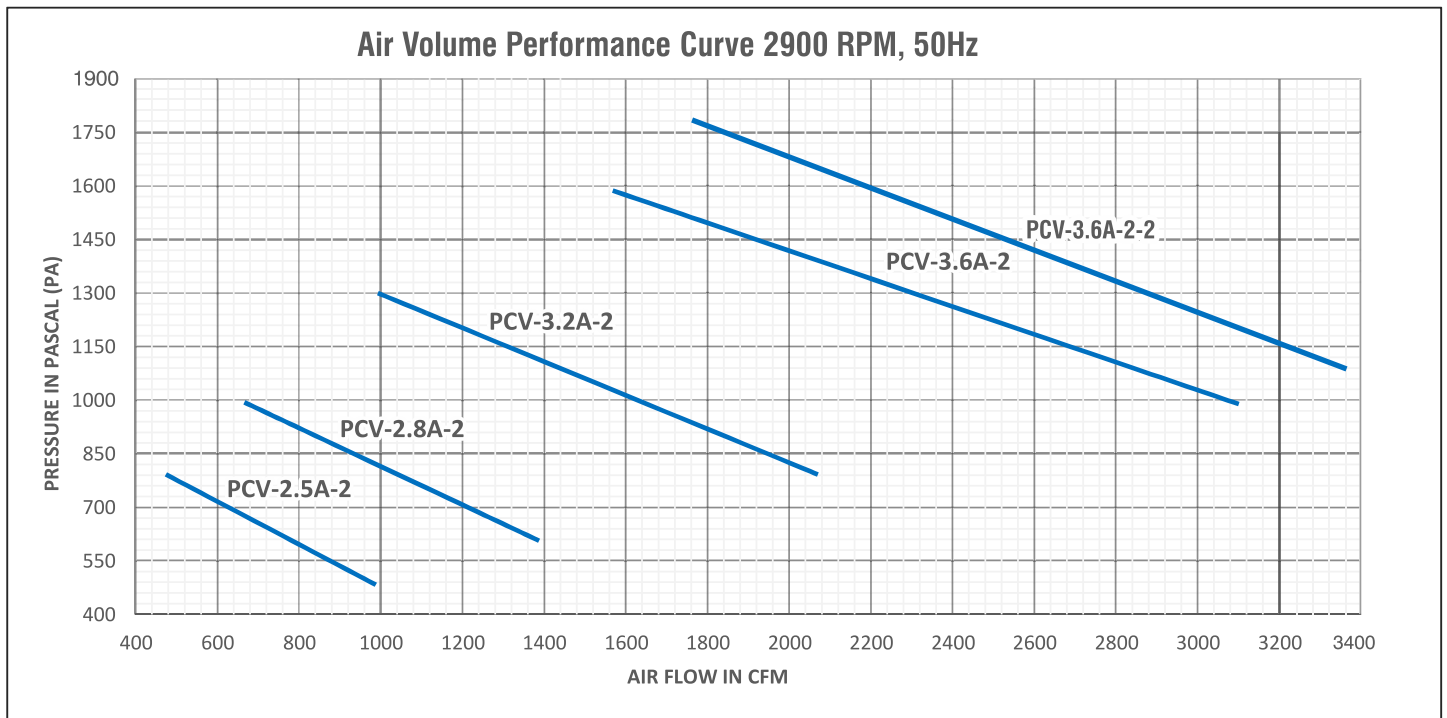
Performance Curve



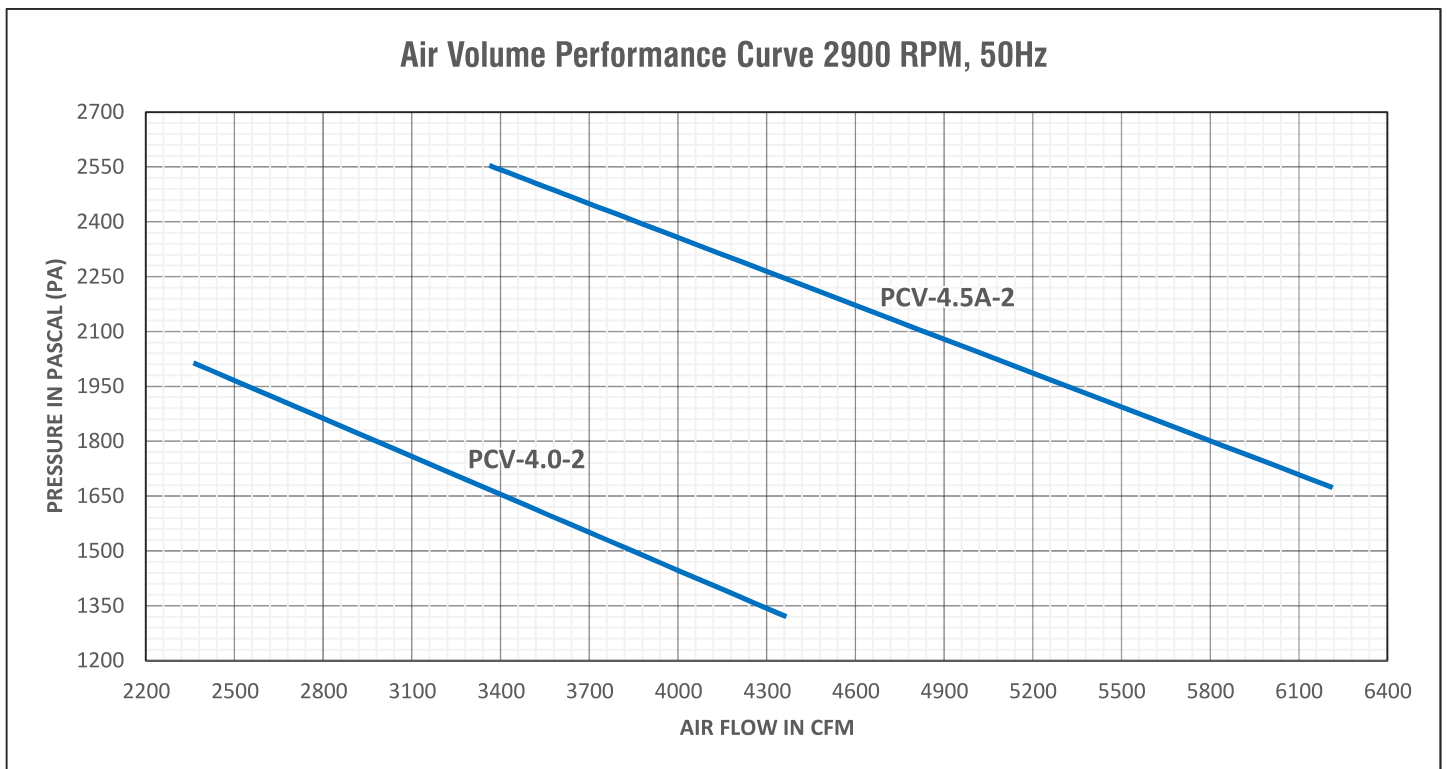
Performance Curve



Performance Curve



Performance Curve



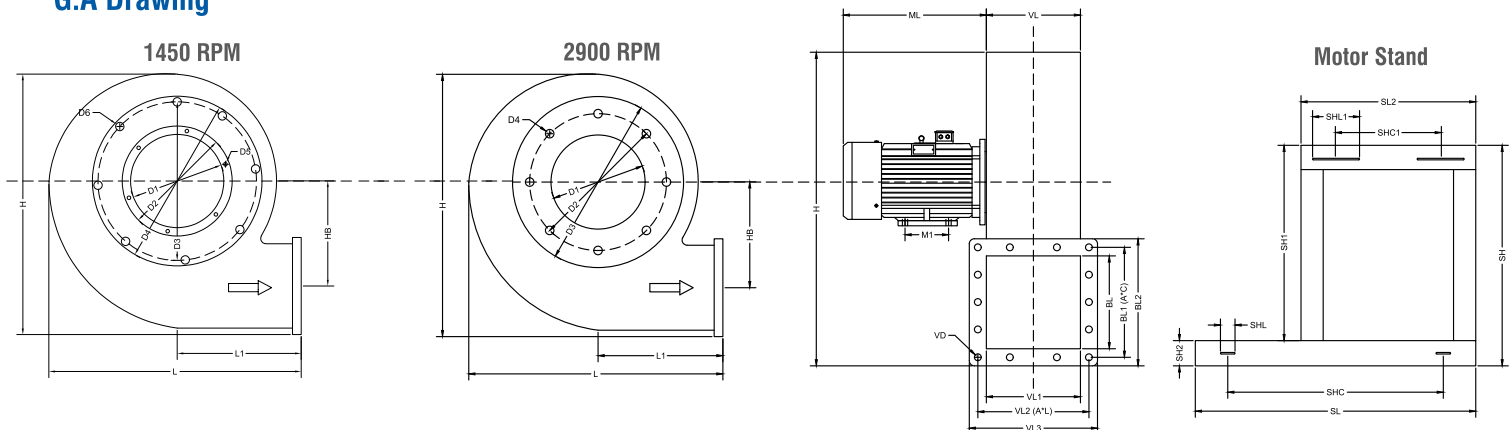
Dimension: Inlet & Outlet

Model	Discharge in mm									Suction in mm			
	VL1	VL2	VL3	A*L	BL	BL1	BL2	A*C	VD	D1	D2	D3	D4
PCV-2.5A-2	165	205	240	3*68	200	239	275	3*79	∅ 12	245	280	305	∅10*8
PCV-2.5A-4	120	151	172	2*75	165	192	212	3*64	∅ 7	182	253	280	297
PCV-2.8A-2	196	235	270	3*78	223	260	395	4*65	∅ 12	280	310	335	∅11*8
PCV-3.0A-4	125	164	200	2*82	220	278	300	3*89	∅ 12	250	300	329	350
PCV-3A1-4	125	164	198	2*82	220	268	300	3*88	∅ 12	255	300	330	350
PCV-3A2-4	195	235	270	3*88	240	288	320	4*72	∅ 12	278	330	330	350
PCV-3.2A-2	216	255	291	3*84	250	290	325	4*71	∅ 12	315	352	376	∅11*8
PCV-3.5A-4	245	284	320	4*70	240	288	315	4*70	∅ 12	265	315	375	405
PCV-3.6A-2	252	284	320	4*70	290	328	362	4*81	∅ 12	360	390	413	∅11*16
PCV-3.6A-2-2	252	284	320	4*70	290	328	362	4*81	∅ 12	360	390	413	∅11*16
PCV-4.0A-2	280	315	355	4*79	325	376	398	5*84	∅ 12	400	437	465	∅11*16
PCV-4.0A-4	280	320	355	4*78	325	365	400	5*72	∅ 12	325	380	430	460
PCV-4.5A-2	315	355	390	4*88	360	400	435	5*88	∅ 11	440	492	520	∅11*16
PCV-4.5A-4	315	355	390	4*90	360	402	435	5*80	∅ 12	350	415	500	525
PCV-5.0A-4	350	390	425	4*97	400	443	475	5*88	∅ 12	415	470	540	570

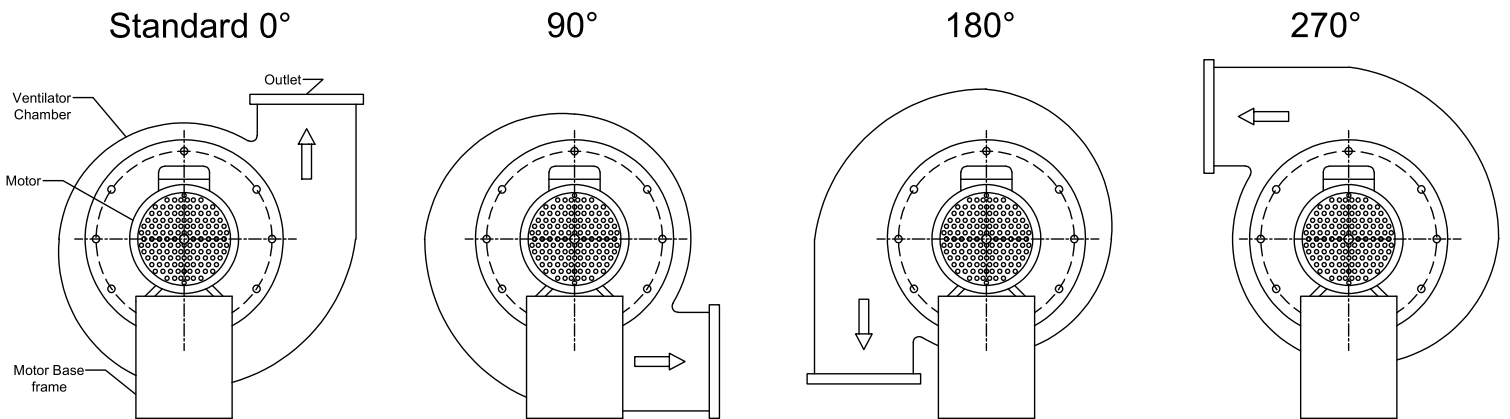
Dimension: Inlet, Outlet & Motor Stand

Model	Suction & Discharge in mm							Motor Stand in mm								
	ML	VL	H	L	HB	L1	M1	SL	SHC	SHL	SH2	SH	SH1	SL2	SHC1	SHL1
PCV-2.5A-2	270	170	510	415	175	175	100	300	210	20	25	220	190	175	100	20
PCV-2.5A-4	245	126	450	395	175	175	100	300	210	20	25	220	190	175	100	20
PCV-2.8A-2	275	200	575	480	205	205	125	345	245	20	40	275	235	200	92	60
PCV-3.0A-4	275	130	560	480	180	225	100	340	245	18	30	275	245	200	114	19
PCV-3A1-4	308	130	560	480	180	225	125	340	245	20	30	275	245	200	125	20
PCV-3A2-4	320	200	560	490	205	205	140	470	300	20	40	325	285	280	140	70
PCV-3.2A-2	290	222	643	538	228	234	125	400	310	20	38	323	285	200	98	60
PCV-3.5A-4	350	250	660	545	235	215	140	470	300	20	40	325	285	280	140	70
PCV-3.6A-2	340	258	711	597	251	256	140	470	305	20	38	375	335	280	140	60
PCV-3.6A-2-2	340	258	711	597	251	256	140	470	305	20	38	415	375	280	140	60
PCV-4.0A-2	403	285	795	680	280	296	140	560	385	20	38	445	405	320	140	60
PCV-4.0A-4	350	283	800	690	295	295	140	470	305	20	38	415	375	280	140	60
PCV-4.5A-2	403	320	920	756	316	328	140	560	385	20	38	445	405	320	140	60
PCV-4.5A-4	400	320	910	755	315	315	140	560	390	20	40	445	405	320	140	60
PCV-5.0A-4	440	355	705	830	355	345	178	600	495	20	50	505	455	350	160	60

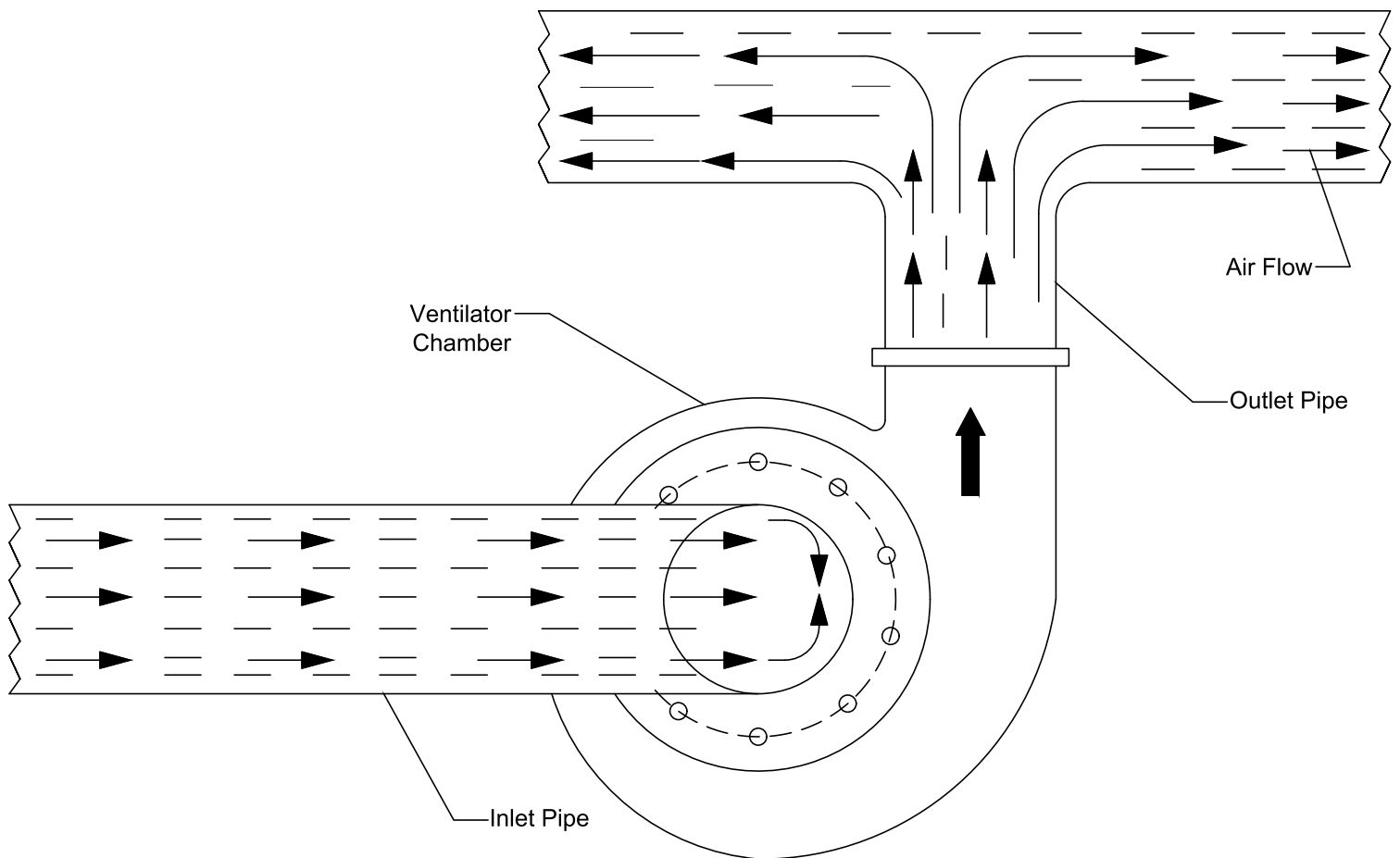
G.A Drawing



Installation Rotation: Standard outlet position view from the drive side



Installation: on-site with pipe/duct



Centrifugal Ventilator/Blower



Application: Heating, Ventilation, and Air Conditioning (HVAC System)





Office in India

PRAKASH PUMP

Survey No. 479, Opp. Supreme Estate-1, Zak Kadadara Road, Vill. - Kadadara,
Tal. Dahegam, Gandhinagar, Gujarat 382305 INDIA E-mail: sale@prakashpump.com

Distributor Office for Middle East

PRAKASH PUMP EST

P.O. Box: 20973 Industrial Area Al Ain (United Arab Emirates)
Tel.: +971 3 7222733 Mob.: +971 50 6731283 E-mail: sale@prakashpump.com

Distributor Office for Oman

GLOBAL EQUIPMENT MATERIAL CO. LLC

P.O. Box. 227, Postal Code: 320 Nakhal Road, Barka (Sultanate of Oman)
Tel.: +968 26883982 Mob.: +968 94584686 E-mail: oman@prakashpump.com

Distributor Office for Saudi Arabia

PRAKASH PUMP INDUSTRY

P.O. Box 14327, Bldg. 3616, Al Marwah 6447, Al Mishael Riyadh City, (Kingdoms of Saudi Arabia)
Sulay Exit 18. Mobile: +966 539811109 Email: saudi@prakashpump.com

Factory Address

PANJI ENGINEERING PVT LTD

Survey No. 479, Opp. Supreme Estate-1, Zak Kadadara Road, Vill. - Kadadara,
Tal. Dahegam, Gandhinagar, Gujarat 382305 INDIA E-mail: sale@prakashpump.com



To get
Quotation by email



PRAKASHPUMPEST

These images given are only for illustration purpose
for further details contact the sales team at
sale@prakashpump.com / oman@prakashpump.com
/ saudi@prakashpump.com



To get
Website

