



Quality, Reliability, Life

# Circulation Water Pump



[www.prakashpump.com](http://www.prakashpump.com)

## Applications

- Boiler/Hydronic heating system
- Heating Systems
- Cooling Systems
- Domestic Hot Water Recirculation
- Solar Water Heating Systems

## Applications limits

- Liquid Temperature: Up to 130°C
- Ambient temperature: up to 40°C
- Max. working pressure: 10 Bar
- Liquid PH value: 6-8
- Noise level: ≤ 45 dB

## Feature

- PRAKASH PCWP series common circulation pump is designed for water circulation in heating, air conditioning and domestic hot water systems.
- PCWP has a full-caliber specification model, which can efficiently and simply meet the user's parameter needs.
- Multi-speed operation adaption to the system requirement
- Quick and simple electrical installation
- Dry-running protection protects the pump against dry-running during startup and normal operation
- Easy to clean and lime-resistant
- High-quality wet-runner technology Low noise
- Corrosion resistant impeller and pump housing

## Performance Range

- Flow: up to 45 LPM
- Head: up to 6 meter
- Speed: 2900 RPM
- Power: up to 93 Watt

## Motor Details

- Protection class: IP44
- Insulation class: H
- Voltage: 220-240v, 50Hz
- Manual 3-speed control

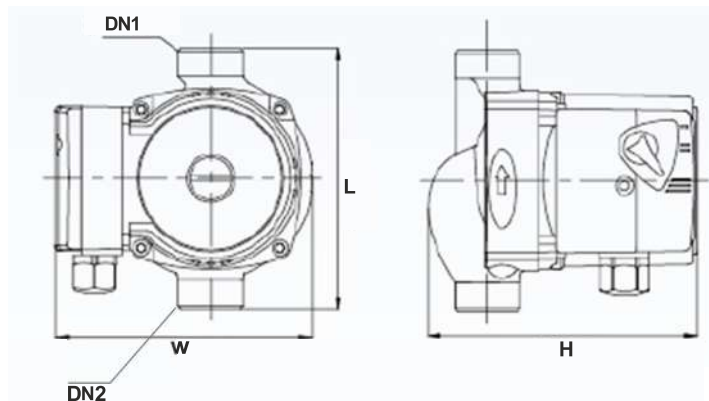
## Pump Selection Chart

Model	Power (Watt)	Voltage/ 50Hz	Rated Speed (RPM)	Inlet/ outlet	Max. Flow (LPM)	Max. Head (meter)	Net Weight (Kg)
PCWP15/6-130S	93/67/48	220-240V	2900	1" x 1"	42/35/18	6/5/3	2.1
PCWP25/4-180S	72/52/38	220-240V	2900	1.5" x 1.5"	45/38/20	4/3/2	2.4

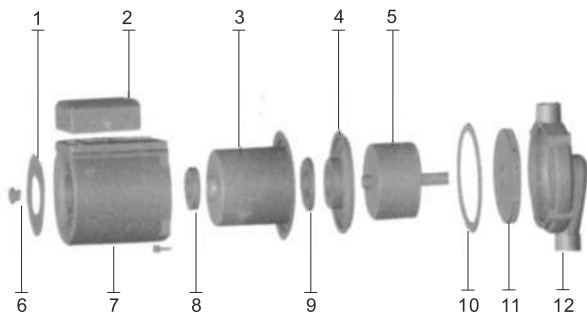
## Pump Dimension in mm

Model	DN1	DN2	L	W	H
PCWP15/6-130S	1"	1"	130	127	133
PCWP25/4-180S	1.5"	1.5"	180	127	133

## G.A Drawing



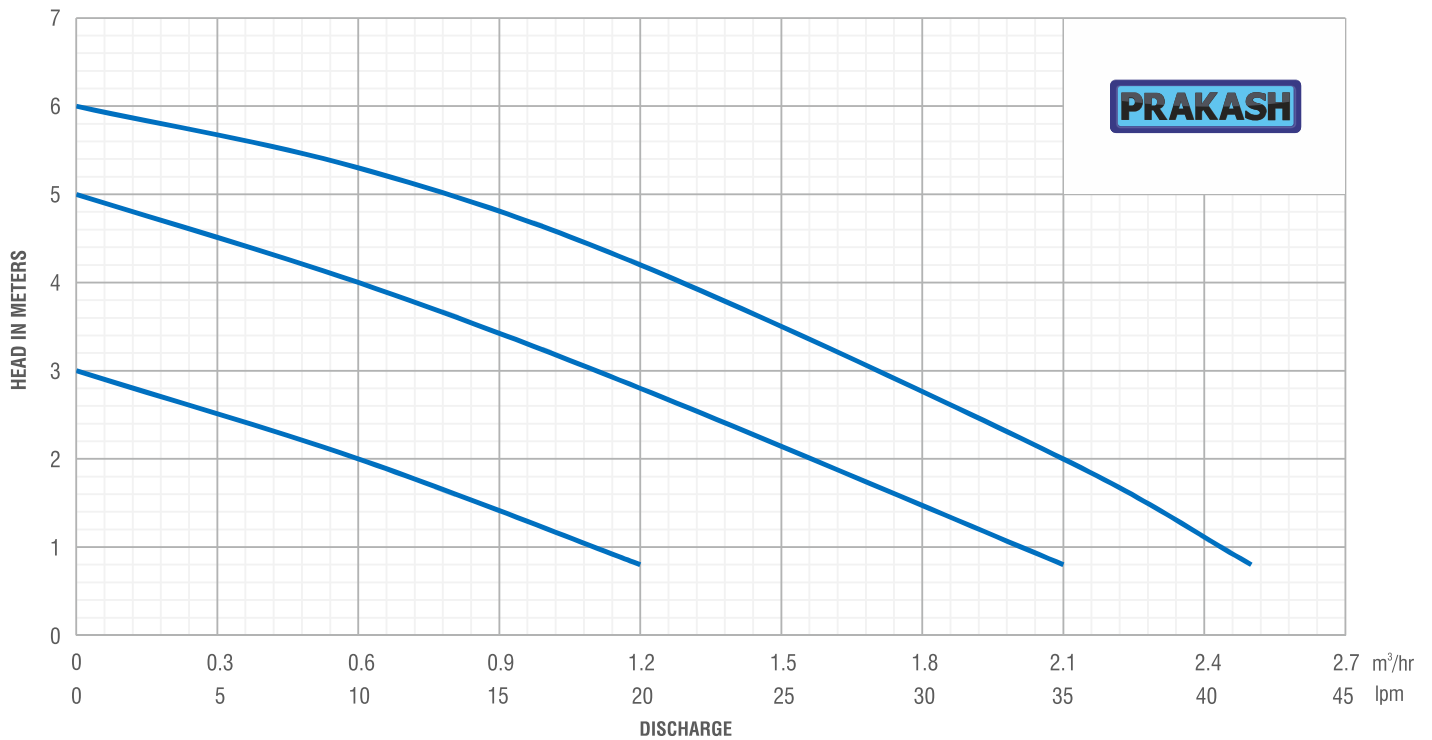
## Exploded View



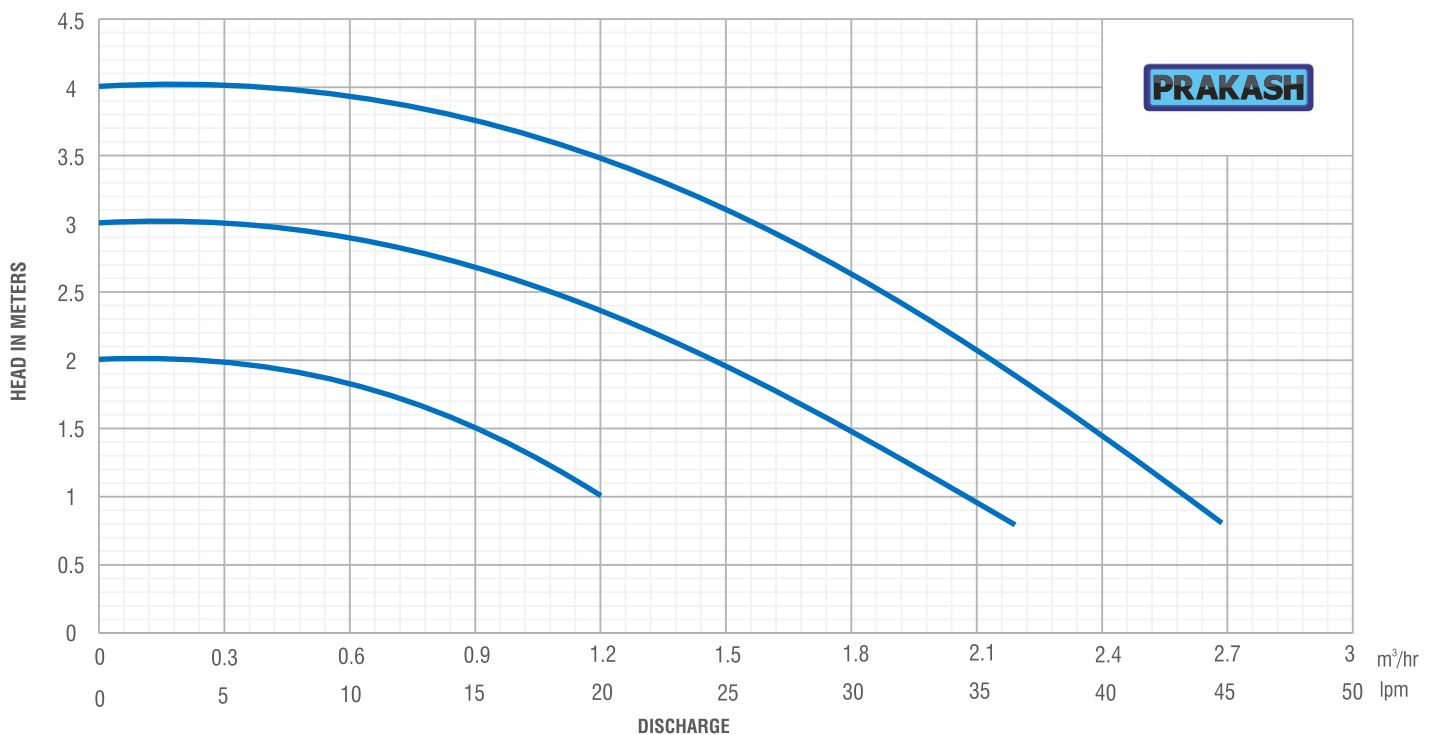
## Material of Construction (MOC)

Code	Part name	Material	Code	Part name	Material
1	Nameplate	PP	7	Motor housing	Aluminum
2	Terminal box	Plastic	8	Rear Bearing	Ceramics
3	Shielding	Stainless steel 304	9	Front bearing	Ceramics
4	Fix board	Stainless steel 304	10	Seal ring	Silicone
5	Rotor & Shaft	Stainless steel 304	11	Impeller	Stainless steel 304
6	Water sealing bolt	Stainless steel 304	12	Pump casing	Stainless steel 304

## Hydraulic Performance Curve PCWP15/6-130S 2900RPM, 50Hz



## Hydraulic Performance Curve PCWP25/4-180S 2900RPM, 50Hz



# PRAKASH

Office in India

## PRAKASH PUMP

Survey No. 479, Opp. Supreme Estate-1, Zak Kadadara Road, Vill. - Kadadara,  
Tal. Dahegam, Gandhinagar, Gujarat 382305 INDIA E-mail: sale@prakashpump.com

Distributor Office for Middle East

## PRAKASH PUMP EST

P.O. Box: 20973 Industrial Area Al Ain (United Arab Emirates)  
Tel.: +971 3 7222733 Mob.: +971 50 6731283 E-mail: sale@prakashpump.com

Distributor Office for Oman

## GLOBAL EQUIPMENT MATERIAL CO. LLC

P.O. Box. 227, Postal Code: 320 Nakhal Road, Barka (Sultanate of Oman)  
Tel.: +968 26883982 Mob.: +968 94584686 E-mail: oman@prakashpump.com

Distributor Office for Saudi Arabia

## PRAKASH PUMP INDUSTRY

P.O. Box 14327, Bldg. 3616, Al Marwah 6447, Al Mishael Riyadh City, (Kingdoms of Saudi Arabia)  
Sulay Exit 18. Mobile: +966 539811109 Email: saudi@prakashpump.com

Factory Address

## PANJI ENGINEERING PVT LTD

Survey No. 479, Opp. Supreme Estate-1, Zak Kadadara Road, Vill. - Kadadara,  
Tal. Dahegam, Gandhinagar, Gujarat 382305 INDIA E-mail: sale@prakashpump.com



To get  
Quotation by email



## PRAKASHPUMPEST

These images given are only for illustration purpose  
for further details contact the sales team at  
sale@prakashpump.com / oman@prakashpump.com  
/ saudi@prakashpump.com



To get  
Website

