

# PRAKASH

Quality, Reliability, Life

## Submersible Sewage Pump



[www.prakashpump.com](http://www.prakashpump.com)

# Submersible Sewage Pump

**PRAKASH**

## Applications

- Transferring wastewater between the tank at small-scale treatment facility.
- Draining sewage from factory, residence, hotel, school, restaurant etc.
- Pumping rainwater and spring water at a place where foreign object is likely to run into the water.

## Application Limits

- Water temperature up to 40°C
- Liquid pH Value: 4 to 10
- Density of liquid: 1.3g/cm<sup>3</sup>
- Maximum immersion depth: 8 meters

## Salient feature

PPSP pump is made of stainless steel and special resin the pump is not only light weight but also corrosion-resistant as well built-in vortex impeller and large passage facilitate pump operation to readily dispose of liquid containing various kinds of foreign matters

## Performance Range

- Capacity: up to 370 LPM
- Head: up to 13.5 meters
- Speed: 2900 RPM
- Power: 0.25-0.75 kw

## Motor Details

- Power supply: single phase 220-240Vac, 50Hz
- 100% Copper winding
- Insulation class: F
- Motor protection: built-in
- Protection class: IPX8 / IP68
- Connection cable length: 8 meters
- With float switch

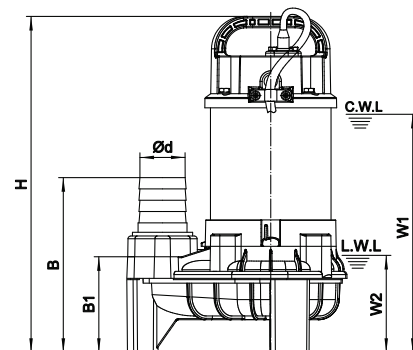
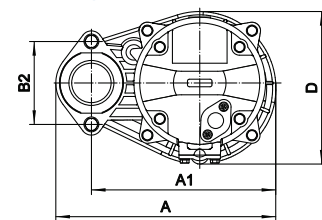
## Pump Selection Chart

Model	Power		Voltage/ 50Hz	Speed (RPM)	Outlet (mm)	Max. Flow (LPM)	Max. Head (Mtr)	Impeller Passage (mm)	Net weight (Kg)
	Kw	HP							
PPSP2.25F	0.25	0.35	220-240V	2900	40	200	7.5	35	8.5
PPSP2.37F	0.37	0.5	220-240V	2900	50	280	9.5	35	8.8
PPSP2.75F	0.75	1.0	220-240V	2900	50	370	13.5	35	11.4

## Dimension (mm)

Model	Ød	A	A1	B	B1	B2	D	H	W1	W2
PPSP2.25F	40	234	196	189	103	88	162	370	270	110
PPSP2.37F	50	234	196	189	103	88	162	370	270	110
PPSP2.75F	50	234	196	189	103	88	162	400	300	110

## G.A Drawing

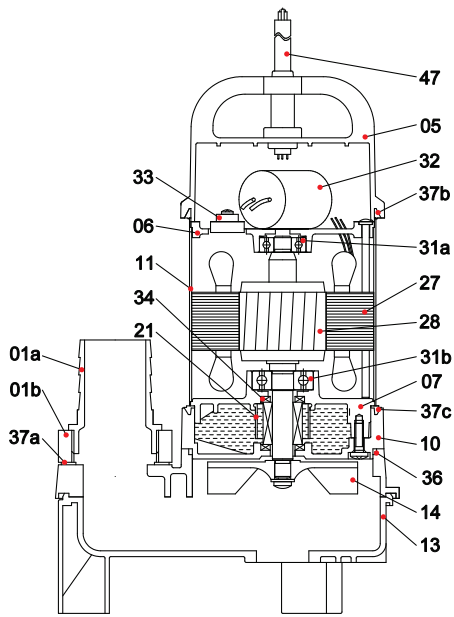


C.W.L: Continuous running water level  
L.W.L: Lowest running water level

# Submersible Sewage Pump



## Sectional View



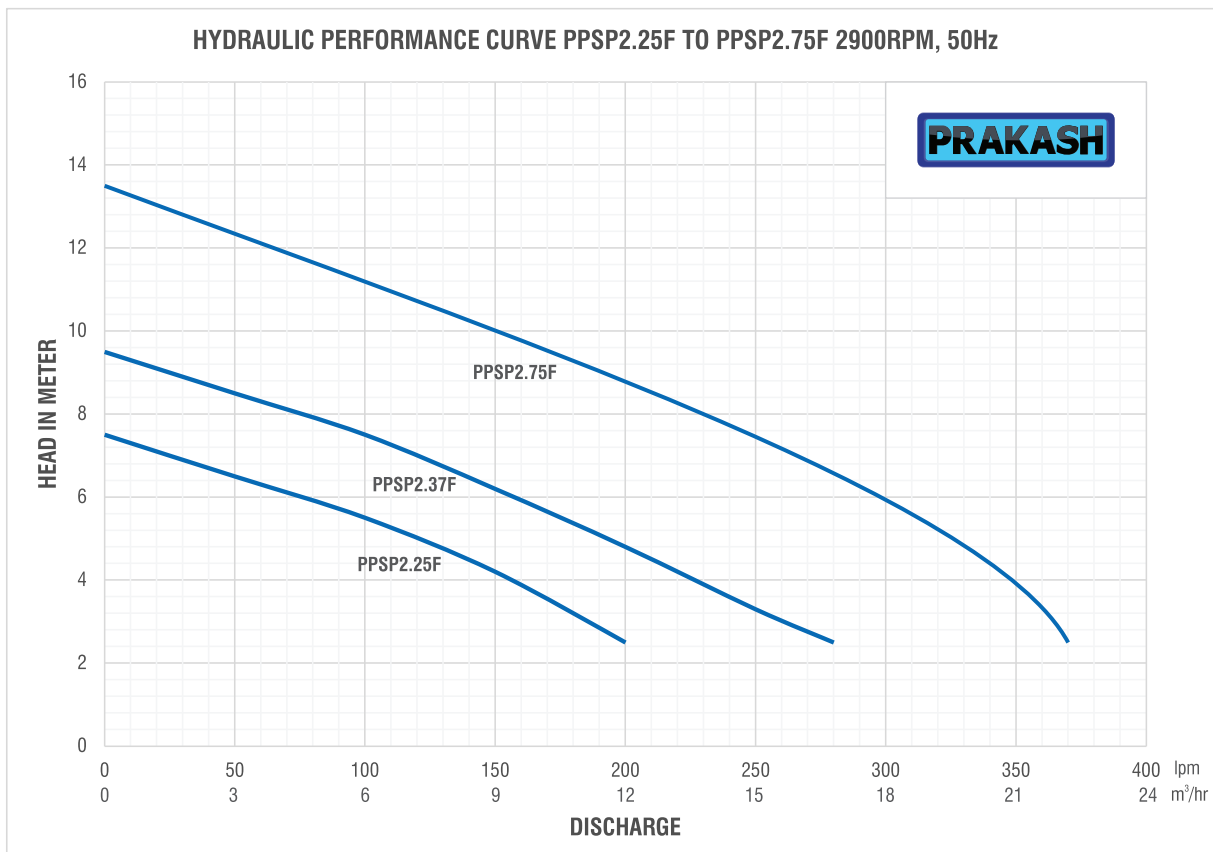
## Material of Construction (MOC)

Item No.	Name of parts	Material
01a	Hose coupling	ABS
01b	Hose coupling	PA66
05	Upper cover	PPS
06	Up-bearing house	Aluminum die casting
07	Bearing house	Aluminum die casting
10	Seal house	PPS
11	Motor casing	SS304
13	Pump body	ABS
14	Impeller	PPO
16	Oil riser	LDPE
27	Stator	-
28	Rotor	Shaft: SS304
31a	Bearing	Ball bearing
31b	Bearing	Ball bearing
32	Capacitor	-
33	Motor protector	-
34	Mechanical seal	Sic-Ceramic/carbon-ceramic
36	Oil ring	NBR
37a	Gasket	NBR
37b	Gasket	NBR
37c	Gasket	NBR
47	Cable	PVC/Copper

## Performance Chart

Model	Power		Q	US GPM	0	13	26	40	53	66	74	79	92	98
	Kw	HP		M <sup>3</sup> /H	0	3	6	9	12	15	16.8	18	21	22.2
				LPM	0	50	100	150	200	250	280	300	350	370
PPSP2.25F	0.25	0.35	Head (m)	7.5	6.5	5.5	4.2	2.5						
PPSP2.37F	0.37	0.5	Head (m)	9.5	8.5	7.5	6.2	4.8	3.2	2.5				
PPSP2.75F	0.75	1.0	Head (m)	13.5	12.5	11.5	10	8.5	7.2	6.5	5.5	4	2.5	

## Performance Curve





**Office in India**

**PRAKASH PUMP**

Survey No. 479, Opp. Supreme Estate-1, Zak Kadadara Road, Vill. - Kadadara,  
Tal. Dahegam, Gandhinagar, Gujarat 382305 INDIA E-mail: sale@prakashpump.com

**Distributor Office for Middle East**

**PRAKASH PUMP EST**

P.O. Box: 20973 Industrial Area Al Ain (United Arab Emirates)  
Tel.: +971 3 7222733 Mob.: +971 50 6731283 E-mail: sale@prakashpump.com

**Distributor Office for Oman**

**GLOBAL EQUIPMENT MATERIAL CO. LLC**

P.O. Box. 227, Postal Code: 320 Nakhal Road, Barka (Sultanate of Oman)  
Tel.: +968 26883982 Mob.: +968 94584686 E-mail: oman@prakashpump.com

**Distributor Office for Saudi Arabia**

**PRAKASH PUMP INDUSTRY**

P.O. Box 14327, Bldg. 3616, Al Marwah 6447, Al Mishael Riyadh City, (Kingdoms of Saudi Arabia)  
Sulay Exit 18. Mobile: +966 539811109 Email: saudi@prakashpump.com

**Factory Address**

**PANJI ENGINEERING PVT LTD**

Survey No. 479, Opp. Supreme Estate-1, Zak Kadadara Road, Vill. - Kadadara,  
Tal. Dahegam, Gandhinagar, Gujarat 382305 INDIA E-mail: sale@prakashpump.com



To get  
Quotation by email



**PRAKASHPUMPEST**

These images given are only for illustration purpose  
for further details contact the sales team at  
sale@prakashpump.com / oman@prakashpump.com  
/ saudi@prakashpump.com



To get  
Website

