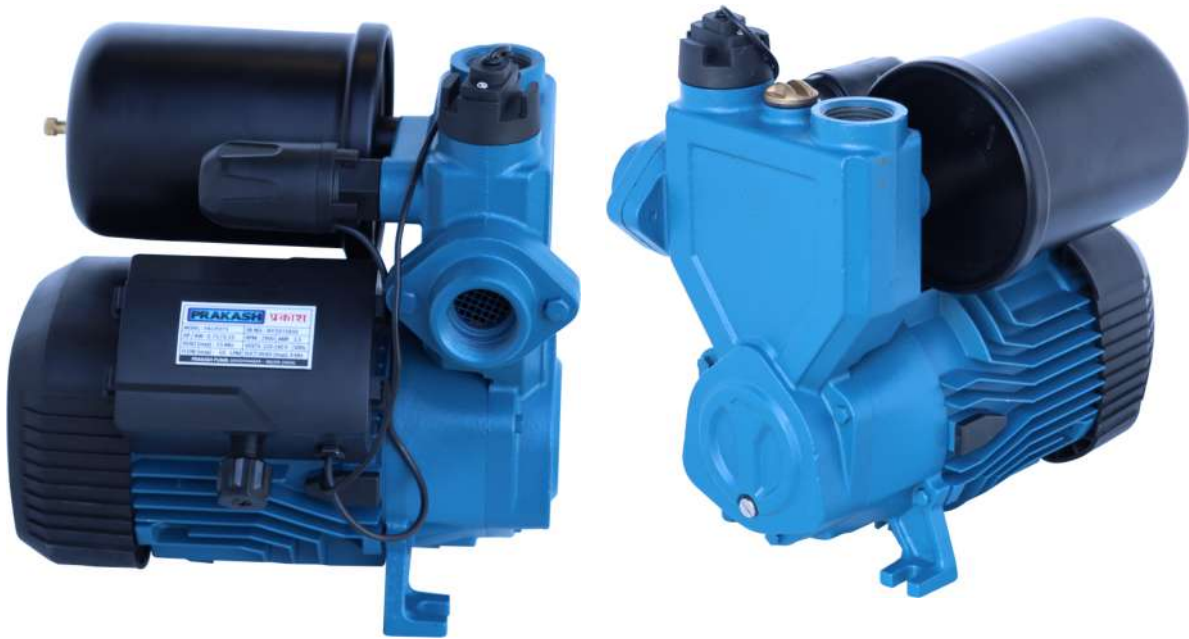


PRAKASH

Quality, Reliability, Life

Automatic Centrifugal Pump



www.prakashpump.com

Applications

- Hot & cold booster pump
- Shallow well, garden irrigation
- Smart domestic installation
- Pressure boiler feeding for washing
- Pressurization of industrial plants
- Small autoclaves
- Transfer of liquids

Applications limits

- Suction: up to 8m (Self-Priming)
- Liquid Temperature: Up to 90°C
- Ambient temperature: up to 40°C
- Max. working pressure: 8 Bar
- Liquid PH value: 6-8

Feature

- Suitable for use with clean water, or non-aggressive liquids only, without sand or other solid impurities.
- 3-second time delay of pump start after plugging into the socket to avoid potential danger caused by electric sparks
- Automatic 10-second operation every 72 hours for anti-block protection in case of no use for long time
- According the feedback from flow sensor pressure Switch to control start, stop and dry-running protection Etc.

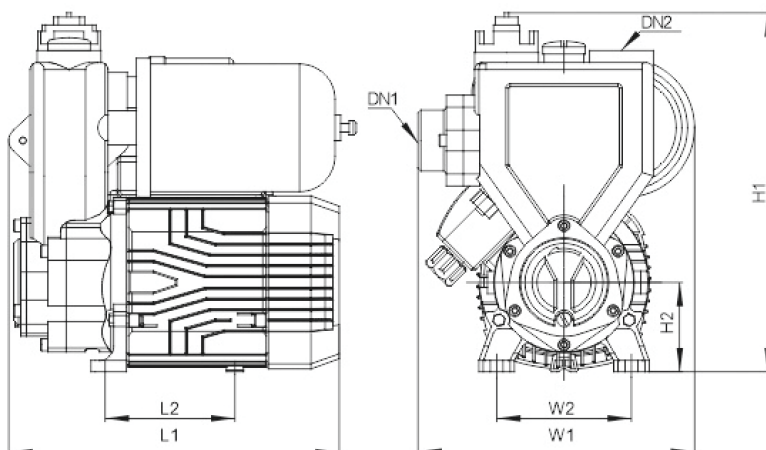
Installation & Use

PRAKASH as the professional manufacturer, we would like to provide you hot and cold-water booster pump. And we will offer you the best after-sale service and timely delivery. PACP series hot and cold-water booster pump belongs to the single-phase self-priming peripheral pump category, is a best seller pump in the global market. It is our patent design pump, attractive appearance, compact and very silent. The pump is assembled with very resistant and durable materials which is able to guarantee a very high solidity and the almost total absence of wear over time. Pumps should be installed in a covered area, protected against the weather.

Pump Selection Chart

Model	Power		Voltage /50Hz	Rated Speed (RPM)	Inlet/ outlet	Max. Flow (LPM)	Max. Head (meter)	Pressure tank (Ltr)	Net Weight (Kg)	Max. Suction (m)
	KW	HP								
PACP05	0.37	0.5	220-240V	2900	1" x 1"	40	40	1	8	8
PACP075	0.55	0.75	220-240V	2900	1" x 1"	50	55	2	11.3	8
PACP10	0.75	1.0	220-240V	2900	1" x 1"	50	65	3	12.5	8

G.A Drawing



Performance Range

- Flow: up to 50 LPM
- Head: up to 65 meters
- Speed: 2900 RPM
- Power: up to 0.75Kw

Motor Details

- 2 pole Induction Motor IE2
- Protection class: IP X4
- Insulation class: F
- Voltage: 220-240v, 50Hz
- Thermal protection: in-built
- 100% Cooper winding

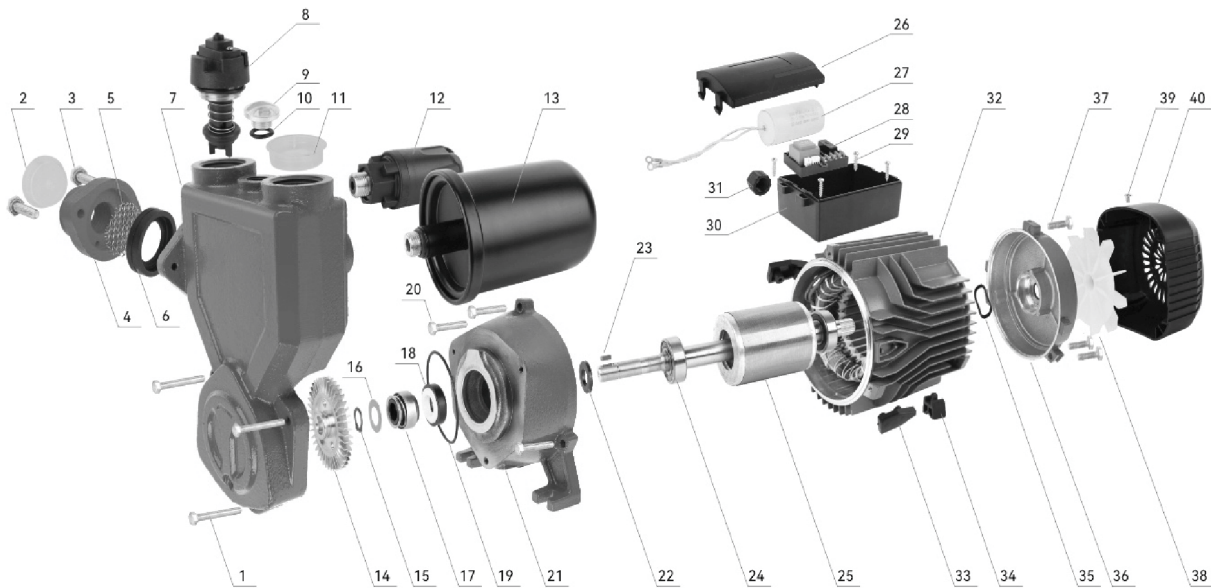
Automatic Centrifugal Pump



Pump Dimension in mm

Model	DN1	DN2	L1	L2	W1	W2	H1	H2
PACP05	1"	1"	233	86	190	96	226	63
PACP075	1"	1"	289	110	210	112	274	76
PACP10	1"	1"	289	110	210	112	274	76

Exploded View

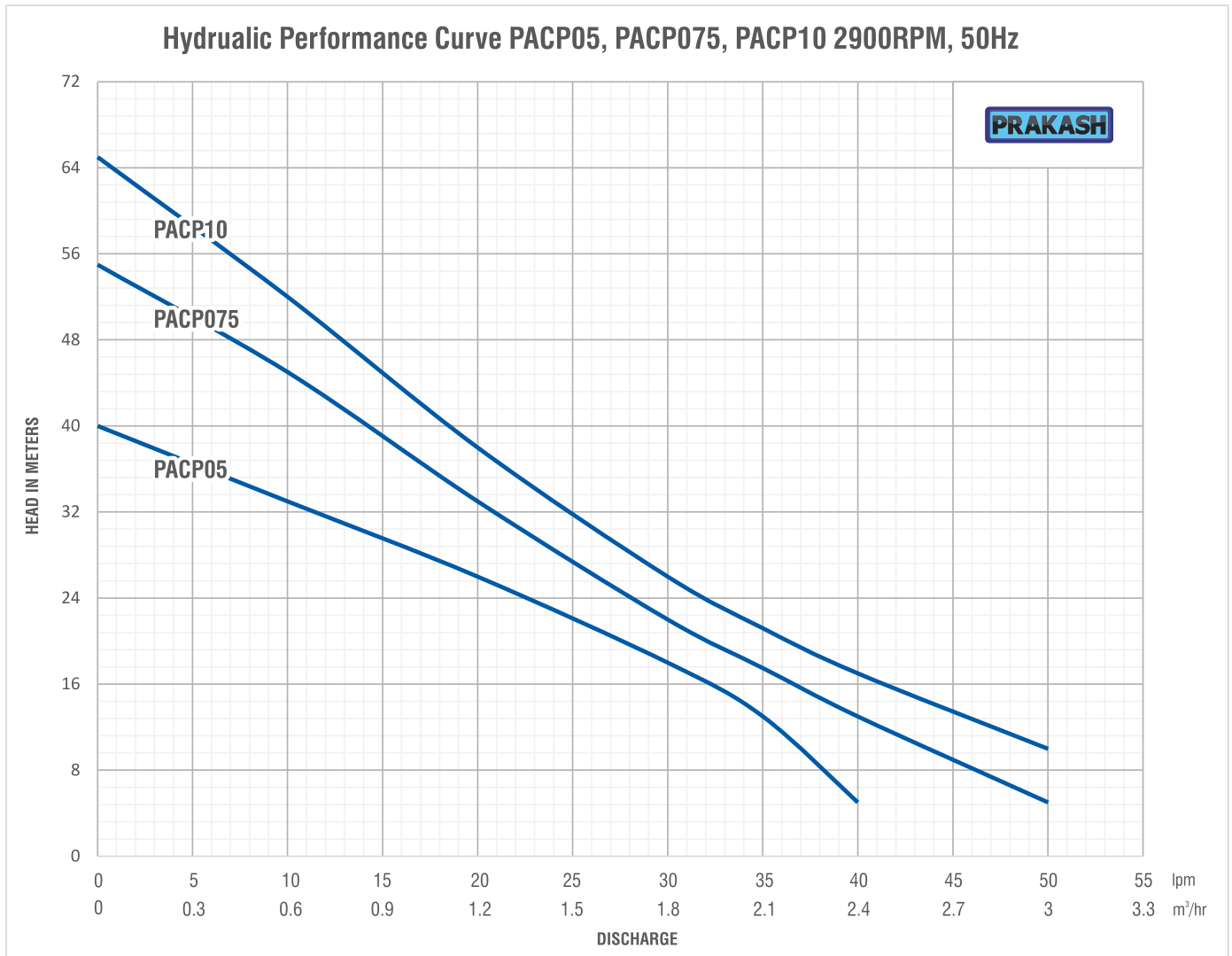


Material of Construction (MOC)

Code no	Part name	Material	Code no	Part name	Material
1	Bolt	Carbon Steel	21	Motor Front Bracket	Cast Iron
2	Dust Cover	Plastic	22	Splash Guard	Rubber
3	Bolt	Carbon Steel	23	Shaft key	SS304
4	Flange	Cast Iron	24	Bearing	Carbon Steel
5	Strainer	Stainless	25	Rotor with Shaft	Silicon Steel Sheet, SS304 welding shaft
6	Rubber Washer	Rubber	26	Terminal Box Cover	ABS
7	Pump Body	Cast Iron	27	Capacitor	PP film + Al foil + EP
8	Flow Switch	PA + Reed Switch + Cu + EP	28	Electrical Board	PCB + Epoxy + Transformer (Copper, Iron Core) + Electronic Components
9	Filling Plug	Brass	29	Screw	SS304
10	O Ring	Rubber	30	Terminal Box Base	ABS
11	Dust Cover	Plastic	31	Cable Holder	Rubber
12	Pressure Switch	PA + Micro Switch + Cu	32	Stator	100% Copper Wire + Silicon Steel Sheet
13	Pressure Tank	Carbon Steel	33	LOGO Block	ABS
14	Impeller	Brass	34	Supporting Foot	ABS
15	Snap Ring	SS304	35	Spring Washer	Manganese Steel
16	Plain Washer	SS304	36	Motor End Cover	Aluminum
17	Mech. Seal Stationary Ring	Ceramic-NBR	37	Bolt	Carbon Steel
18	Mech. Seal Rotary Ring	SS304-NBR-Sic	38	Fan	PP
19	O Ring	Rubber	39	Screw	SS304
20	Bolt	Carbon Steel	40	Fan Cover	Iron Sheet

Performance Chart

Model	Power		Q	US GPM	0	2.6	5.3	8	9.2	10.5	13.2
	KW	HP		M ³ /H	0	0.6	1.2	1.8	2.1	2.4	3
				LPM	0	10	20	30	35	40	50
PACP05	0.37	0.5	Head (m)	40	33	26	18	13	5		
PACP075	0.55	0.75	Head (m)	55	45	33	22	17	13	5	
PACP10	0.75	1.0	Head (m)	65	52	38	26	21	17	10	





Office in India

PRAKASH PUMP

Survey No. 479, Opp. Supreme Estate-1, Zak Kadadara Road, Vill. - Kadadara,
Tal. Dahegam, Gandhinagar, Gujarat 382305 INDIA E-mail: sale@prakashpump.com

Distributor Office for Middle East

PRAKASH PUMP EST

P.O. Box: 20973 Industrial Area Al Ain (United Arab Emirates)
Tel.: +971 3 7222733 Mob.: +971 50 6731283 E-mail: sale@prakashpump.com

Distributor Office for Oman

GLOBAL EQUIPMENT MATERIAL CO. LLC

P.O. Box. 227, Postal Code: 320 Nakhal Road, Barka (Sultanate of Oman)
Tel.: +968 26883982 Mob.: +968 94584686 E-mail: oman@prakashpump.com

Distributor Office for Saudi Arabia

PRAKASH PUMP INDUSTRY

P.O. Box 14327, Bldg. 3616, Al Marwah 6447, Al Mishael Riyadh City, (Kingdoms of Saudi Arabia)
Sulay Exit 18. Mobile: +966 539811109 Email: saudi@prakashpump.com

Factory Address

PANJI ENGINEERING PVT LTD

Survey No. 479, Opp. Supreme Estate-1, Zak Kadadara Road, Vill. - Kadadara,
Tal. Dahegam, Gandhinagar, Gujarat 382305 INDIA E-mail: sale@prakashpump.com



To get
Quotation by email



PRAKASHPUMPEST

These images given are only for illustration purpose
for further details contact the sales team at
sale@prakashpump.com / oman@prakashpump.com
/ saudi@prakashpump.com



To get
Website

