



Quality, Reliability, Life

Clean Water Pump



www.prakashpump.com

Applications

- House hold water supply
- Garden watering
- Pressure boosting system
- Agriculture
- Irrigation

Performance Range

- Flow : up to 1100 LPM
- Head : up to 42m
- Speed : 2900 RPM
- Power : 0.37 - 1.5 kW

Application Limits

- Liquid temperature : up to 40 °C
- Ambient temperature : up to 40 °C
- Max. operating pressure : 10 bar
- Max. immersion depth : up to 8 m
- Liquid PH : 6.5-8.5

Motor Details

- 2 Pole motor
- 100% Copper winding
- Protection class : IPX8 / IP68
- Insulation class : F
- Voltage : 220-240v, 50Hz
- Thermal protection : built-in

Feature and Benefits

- Light weight, compact design for easy transport and positioning of pump.
- Built-in thermal protection prevent motor from overloading, overheating.
- Chrome plated shaft ensure high corrosion resistant and durability.

Installation and use

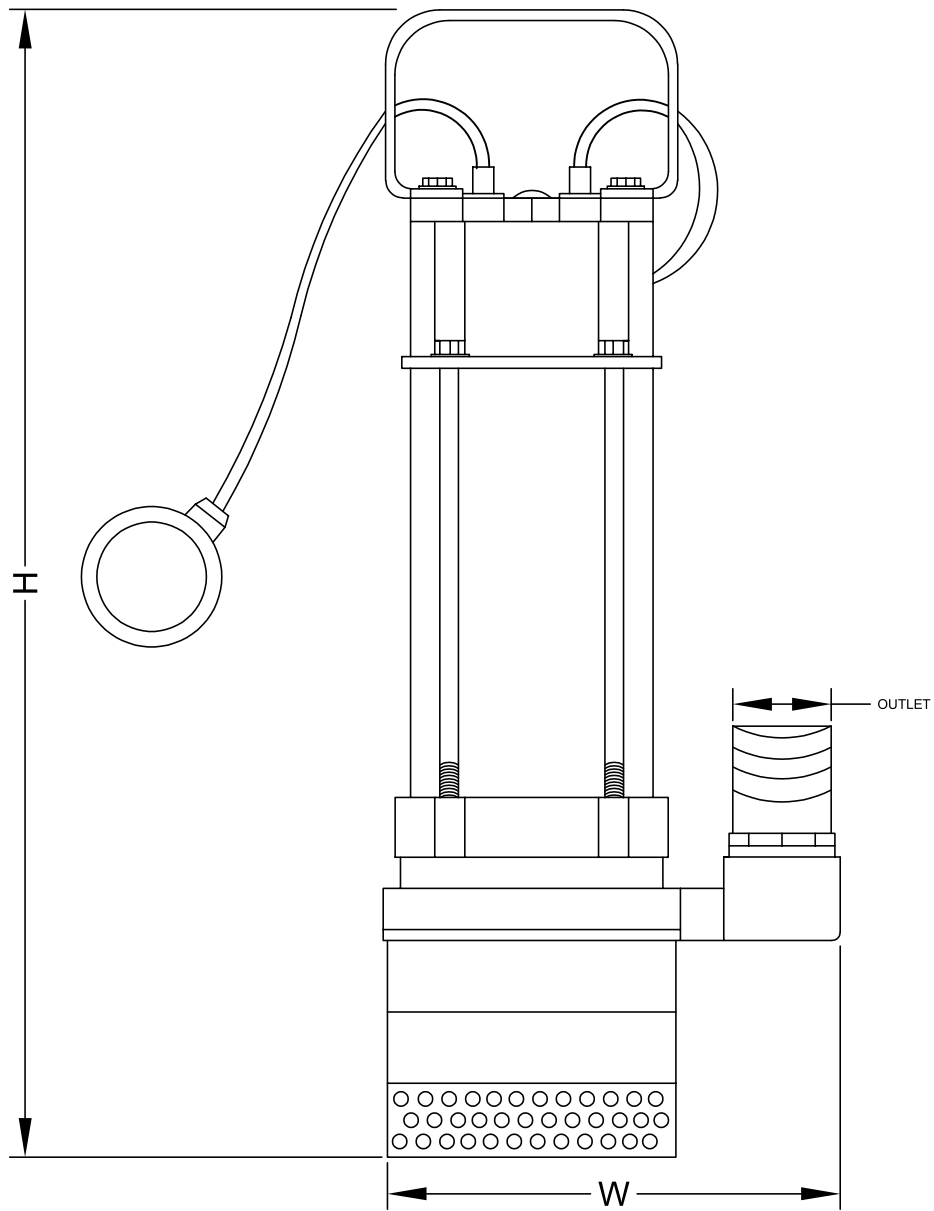
This model of pump is characterized with high heads, compact size, light weight and convenient use and vastly used In high-position water delivery, flush and places as construction sites. The float switch can automatically control on and off with the change of the water level. The protector in the motor can automatically cut off the power when it overheat or over current.

Pump Selection Chart

Model	Power		Pump Size		Cable (mm ² / Mtr.)	Voltage/ 50Hz	Outlet (Inch)	Max. Flow (LPM)	Max. Head (m)	Net Weight (Kg)
	Kw	HP	H (mm)	W (mm)						
PCWP350F	0.37	0.5	330	230	3Cx0.75 / 10m	220-240v	1.25"	125	6	4.3
PCWP350F PRO	0.37	0.5	305	138	3Cx0.75 / 10m	220-240v	1.25"	125	6	4.3
PCWP750F SS	0.75	1.0	300	145	3Cx0.75 / 10m	220-240v	1.25"	140	8.6	5.4
PCWP750F	0.75	1.0	330	230	3Cx0.75 / 10m	220-240v	1.25"	200	9.5	4.9
PCWP750F PRO	0.75	1.0	305	138	3Cx0.75 / 10m	220-240v	1.25"	200	9.5	4.9
PCWP10-10-0.75F SS	0.75	1.0	390	270	3Cx0.75 / 10m	220-240v	1.5"	200	9.1	5.6
PCWP1200F	1.1	1.5	425	175	3Cx1.0 / 10m	220-240v	1.5"	105	44	9.1

Model	Power		Pump Size		Cable (mm ² / Mtr.)	Voltage/ 50Hz	Outlet (Inch)	Max. Flow (LPM)	Max. Head (m)	Net Weight (Kg)
	Kw	HP	H (mm)	W (mm)						
PCWP6-18-0.37F	0.37	0.5	360	200	3Cx0.75 / 10m	220-240v	1"	100	18	10.5
PCWP6-18-0.37FB	0.37	0.5	362	200	3Cx0.75 / 10m	220-240v	1"	100	18	9.8
PCWP8-33-0.75F	0.75	1.0	400	250	3Cx0.75 / 10m	220-240v	1"	117	33	16
PCWP8-33-0.75FB	0.75	1.0	426	240	3Cx0.75 / 10m	220-240v	1"	117	33	16.6
PCWP15-28-1.1F	1.1	1.5	510	235	3Cx2.0 / 10m	220-240v	2"	250	28	21.2
PCWP14-42-1.5F	1.5	2.0	570	230	3Cx2.0 / 10m	220-240v	2"	234	42	25.6
PCWP40-7-1.1F	1.1	1.5	510	280	3Cx2.0 / 10m	220-240v	3"	900	10	22.8
PCWP40-9-1.5F	1.5	2.0	550	265	3cx2.0 / 10m	220-240v	3"	1100	13.5	25.5

G.A Drawing



Pump Performance Chart

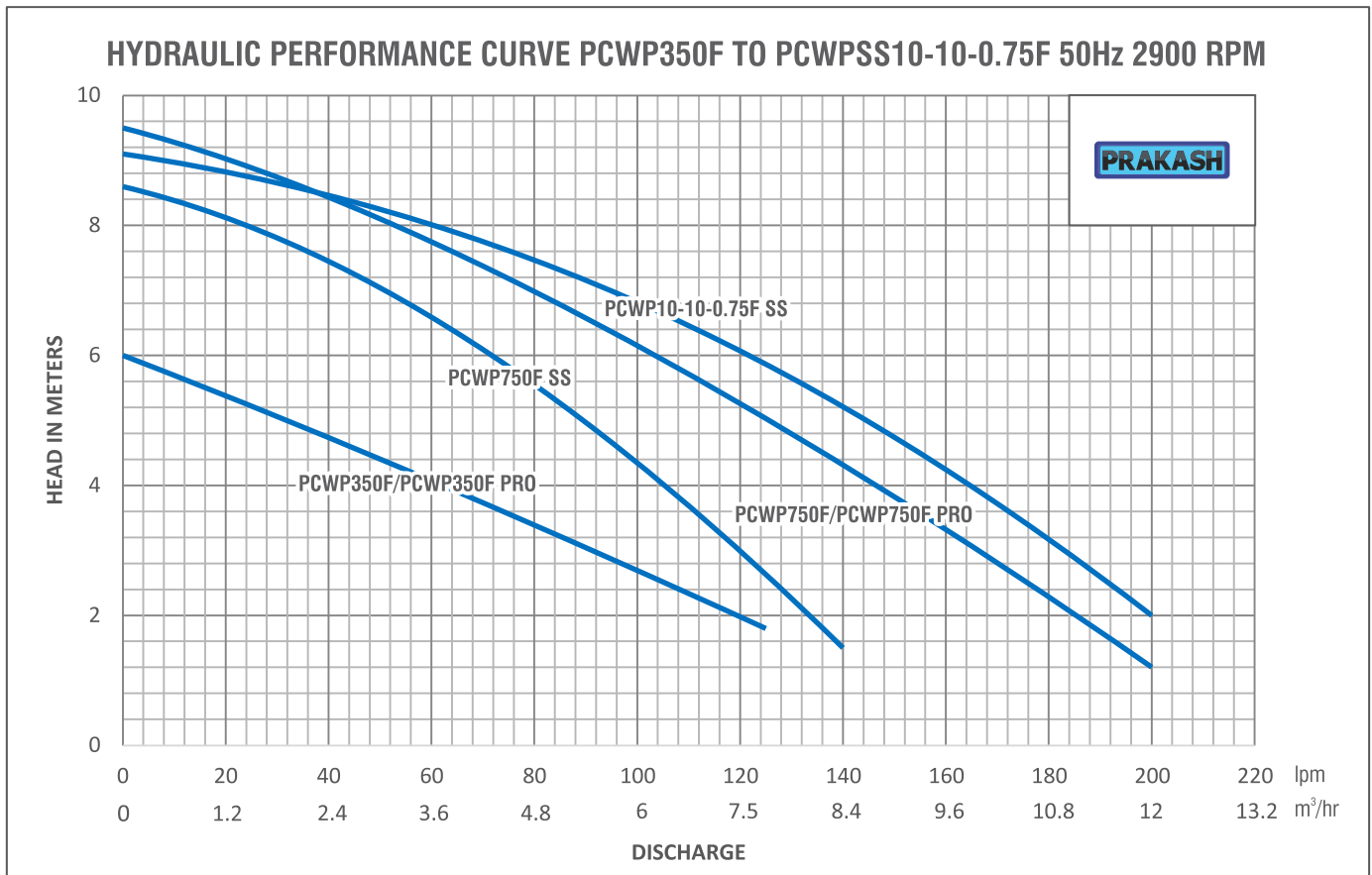
Model	Power		Q	US GPM	0	5.2	10.5	15.8	21.1	26.4	33	37	42.2	47.5	52.8
	KW	HP		M3/H	0	1.2	2.4	3.6	4.8	6	7.5	8.4	9.6	10.8	12
				LPM	0	20	40	60	80	100	125	140	160	180	200
PCWP350F	0.37	0.5	Head (m)	6	5.3	4.5	4	3.5	2.5	1.8					
PCWP350F PRO	0.37	0.5	Head (m)	6	5.3	4.5	4	3.5	2.5	1.8					
PCWP750F SS	0.75	1.0	Head (m)	8.6	8.2	7.5	6.5	5.5	4.3	2.7	1.5				
PCWP750F	0.75	1.0	Head (m)	9.5	9	8.5	7.8	7	6.2	5	4.2	3	2	1.5	
PCWP750F PRO	0.75	1.0	Head (m)	9.5	9	8.5	7.8	7	6.2	5	4.2	3	2	1.5	
PCWP10-10-0.75F SS	0.75	1.0	Head (m)	9.1	8.8	8.4	8	7.5	6.8	6	5	4	3	2	
PCWP1200F	1.1	1.5	Head (m)	44	40	33.5	25.5	15.5	8.5						

Pump Performance Chart

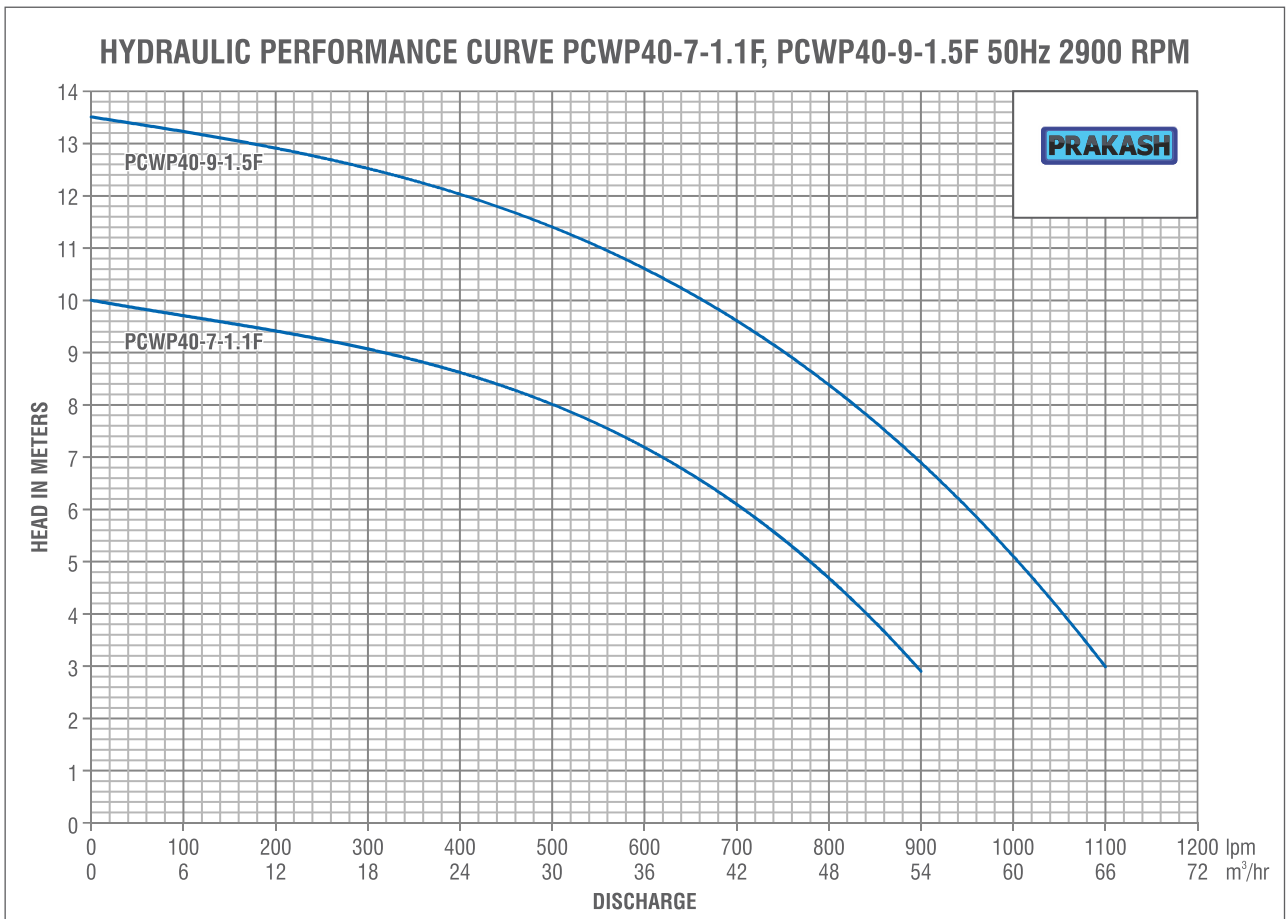
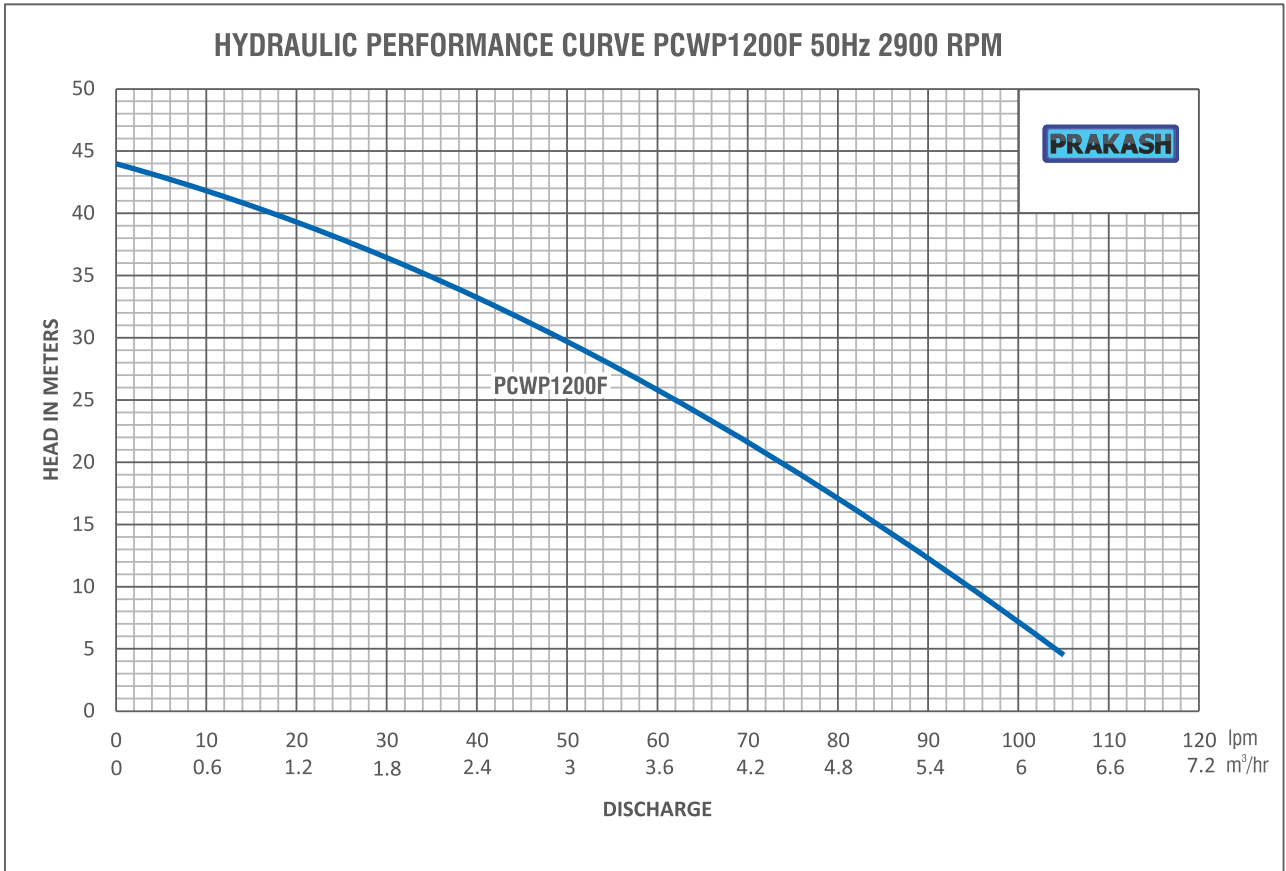
Model	Power		Q	US GPM	0	4	9	13	18	22	26	31	35	40	44
	KW	HP		M3/H	0	1	2	3	4	5	6	7	8	9	10
				LPM	0	17	33	50	67	83	100	117	133	150	167
PCWP6-18-0.37F	0.37	0.5	Head (m)	18	17	16	14.5	12	8	3					
PCWP6-18-0.37FB	0.37	0.5	Head (m)	18	17	16	14.5	12	8	3					
PCWP8-33-0.75F	0.75	1.0	Head (m)	33	31.5	30	28	25	21.5	15	4				
PCWP8-33-0.75FB	0.75	1.0	Head (m)	33	31.5	30	28	25	21.5	15	4				

Model	Power		Q	US GPM	0	7	13	20	26	33	40	46	53	62	66
	KW	HP		M3/H	0	1.5	3	4.5	6	7.5	9	10.5	12	14	15
				LPM	0	25	50	75	100	125	150	175	200	234	250
PCWP15-28-1.1F	1.1	1.5	Head (m)	28	27	25.5	23.5	20.5	17.5	14	10	6	4	2	
PCWP14-42-1.5F	1.5	2.0	Head (m)	42	40	38	36	34	31	27.5	22	16	6		

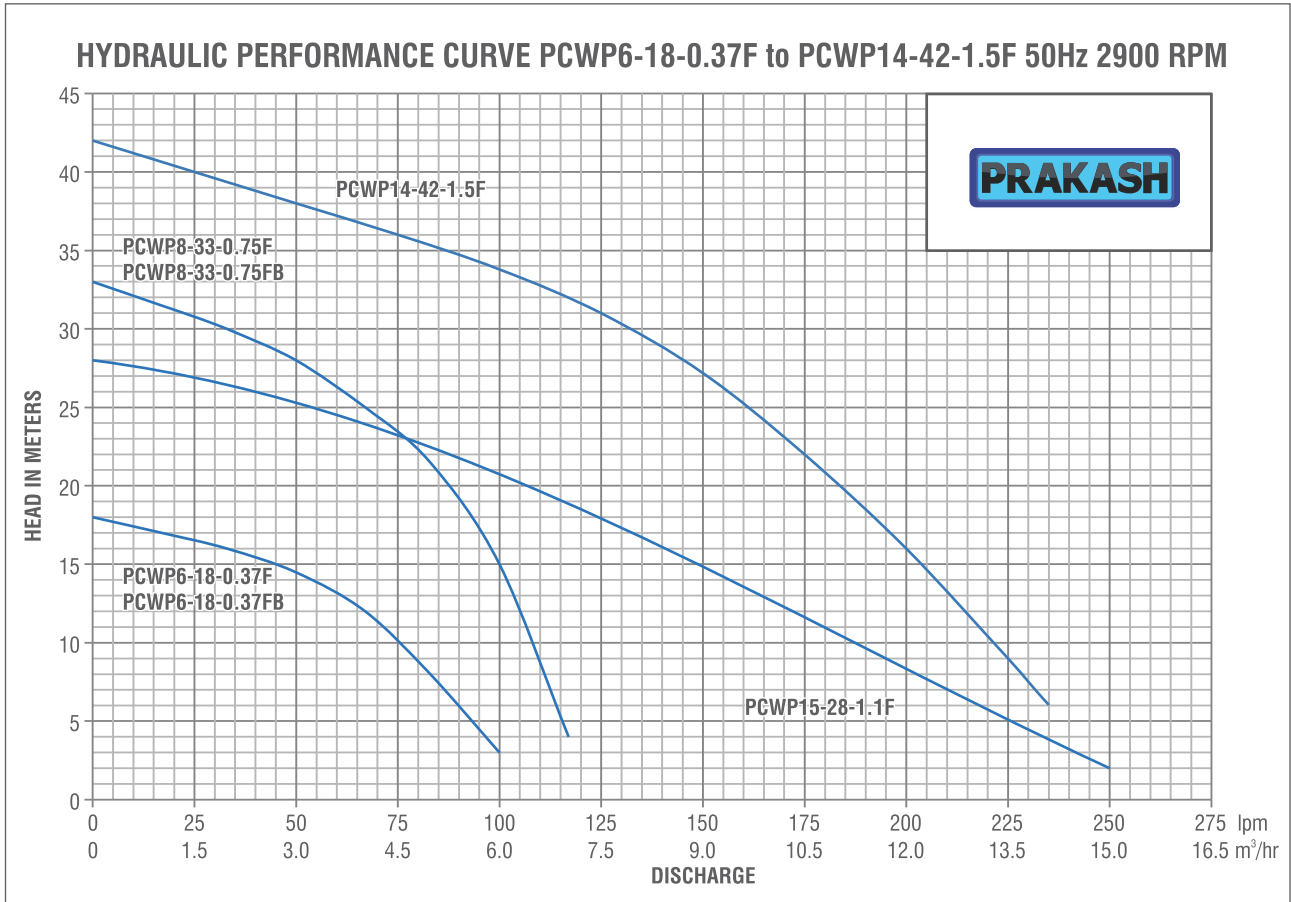
Model	Power		Q	US GPM	0	26	53	79	106	132	159	185	211	238	246	291
	KW	HP		M3/H	0	6.0	12	18.0	24	30.0	36	42.0	48	54.0	60	66
				LPM	0	100	200	300	400	500	600	700	800	900	1000	1100
PCWP40-7-1.1F	1.1	1.5	Head (m)	10	9.7	9.5	9	8.5	8	7.5	6	4.5	3			
PCWP40-9-1.5F	1.5	2.0	Head (m)	13.5	13.2	13	12.5	12	11.5	10.5	9.5	8.5	7	5	3	



Performance Curve



Performance Curve





Office in India

PRAKASH PUMP

Survey No. 479, Opp. Supreme Estate-1, Zak Kadadara Road, Vill. - Kadadara,
Tal. Dahegam, Gandhinagar, Gujarat 382305 INDIA E-mail: sale@prakashpump.com

Distributor Office for Middle East

PRAKASH PUMP EST

P.O. Box: 20973 Industrial Area Al Ain (United Arab Emirates)
Tel.: +971 3 7222733 Mob.: +971 50 6731283 E-mail: sale@prakashpump.com

Distributor Office for Oman

GLOBAL EQUIPMENT MATERIAL CO. LLC

P.O. Box. 227, Postal Code: 320 Nakhal Road, Barka (Sultanate of Oman)
Tel.: +968 26883982 Mob.: +968 94584686 E-mail: oman@prakashpump.com

Distributor Office for Saudi Arabia

PRAKASH PUMP INDUSTRY

P.O. Box 14327, Bldg. 3616, Al Marwah 6447, Al Mishael Riyadh City, (Kingdoms of Saudi Arabia)
Sulay Exit 18. Mobile: +966 539811109 Email: saudi@prakashpump.com

Factory Address

PANJI ENGINEERING PVT LTD

Survey No. 479, Opp. Supreme Estate-1, Zak Kadadara Road, Vill. - Kadadara,
Tal. Dahegam, Gandhinagar, Gujarat 382305 INDIA E-mail: sale@prakashpump.com



To get
Quotation by email



PRAKASHPUMPEST

These images given are only for illustration purpose
for further details contact the sales team at
sale@prakashpump.com / oman@prakashpump.com
/ saudi@prakashpump.com



To get
Website

