



Quality, Reliability, Life

5" Openwell Submersible Pump SS304



www.prakashpump.com

Applications

- For water supply from open wells, tanks or reservoirs.
- For domestic use, Civil and industrial applications.
- For garden and irrigation, Utilization of rain water

Performance Range

- Flow: Up to 133 LPM
- Head: Up to 88m
- Speed : 2900 RPM

Application Limits

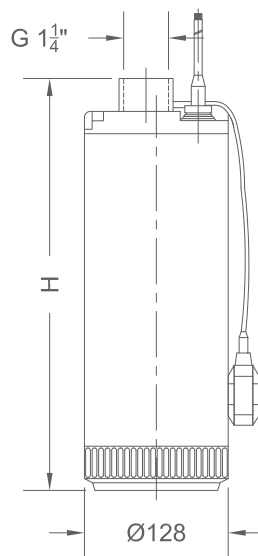
- Liquid temperature : up to 40 °C
- Ambient temperature : up to 40 °C
- Minimum diameter of well : Ø132 mm
- Maximum Operating depth : up to 20 m
- With extra suction cover for more safety
- Liquid PH : 6-8

Motor Details

- 2 Pole motor
- 100% Copper winding
- Protection class : IP X8
- Insulation class : F
- Voltage : 220-240v, 50Hz
- Float switch : built-in

Function and feature

- Single phase with built-in capacitor and thermal protector on control box required Three phase with built-in thermal protector
- Hermetically sealed motor equip build-in thermal protection. The protector in the motor can automatically cut off the power when it overheats or over current.
- Close coupled multi-stage submersible pump in chrome –nickel stainless steel.
- Hydraulic part under the motor and motor cooled by the pumped water for safe operation also with the pump only partially immersed.
- Double shaft seal with interposed oil chamber
- The suction strainer prevents the entrance of solids with diameter bigger than 2 mm.

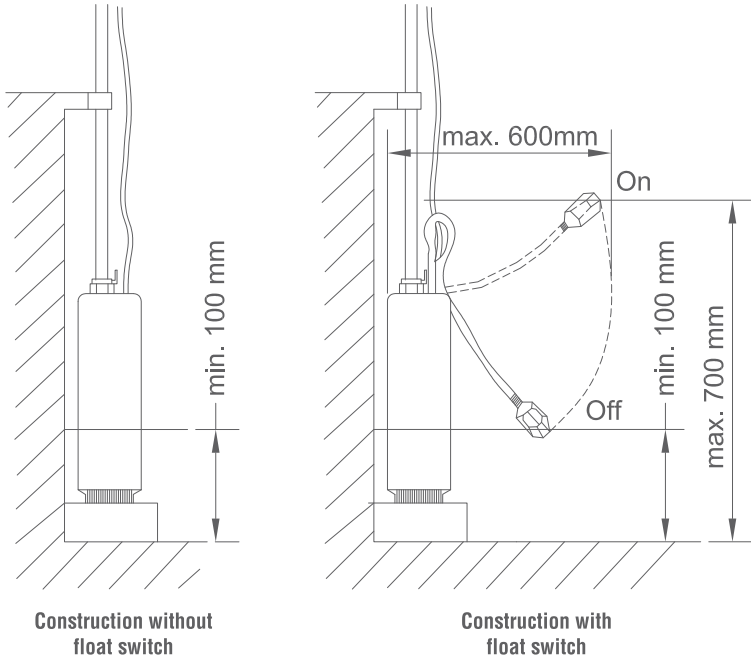


PERFORMANCE CHART

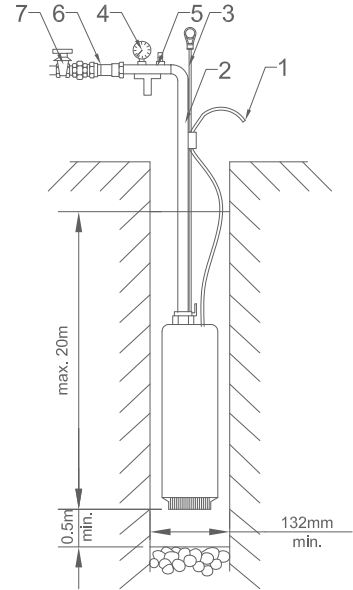
Model	Power		Outlet Inch	H (MM)	N.W (Kg)	Cable (mtr)	Max Flow (LPM)	Q	US GPM	0	4	7	9	11	13	15	18	20	22
	KW	HP							M ³ /H	0	1	1.5	2	2.5	3	3.5	4	4.5	5
									LPM	0	17	25	33	42	50	58	67	75	83.2
P205	0.75	1	1 1/4"	605	17.9	30	83.2	Head (m)	53	49.5	47	44	40	35	30	25	19	11	
P206	0.9	1.2	1 1/4"	645	19.1	35	83.2	Head (m)	65	61	58	54	49	43	37	30.5	23	14	
P207	1.1	1.5	1 1/4"	680	20.4	40	83.2	Head (m)	80	76	71.5	66	60	52.5	46	37	24	18	

Model	Power		Outlet Inch	H (MM)	N.W (Kg)	Cable (mtr)	Max Flow (LPM)	Q	US GPM	0	11	13	15	18	20	22	26	31	35
	KW	HP							M ³ /H	0	2.5	3	3.5	4	4.5	5	6	7	8
									LPM	0	42	50	58	67	75	83	100	117	133
P406	1.1	1.5	1 1/4"	680	22.5	40	133	Head (m)	66	60	58	56	54	51.5	49	42	34	20.5	
P408	1.5	2	2"	708	28.5	50	133	Head (m)	88	80	77.5	75	72	68.5	65	56	45	27.5	

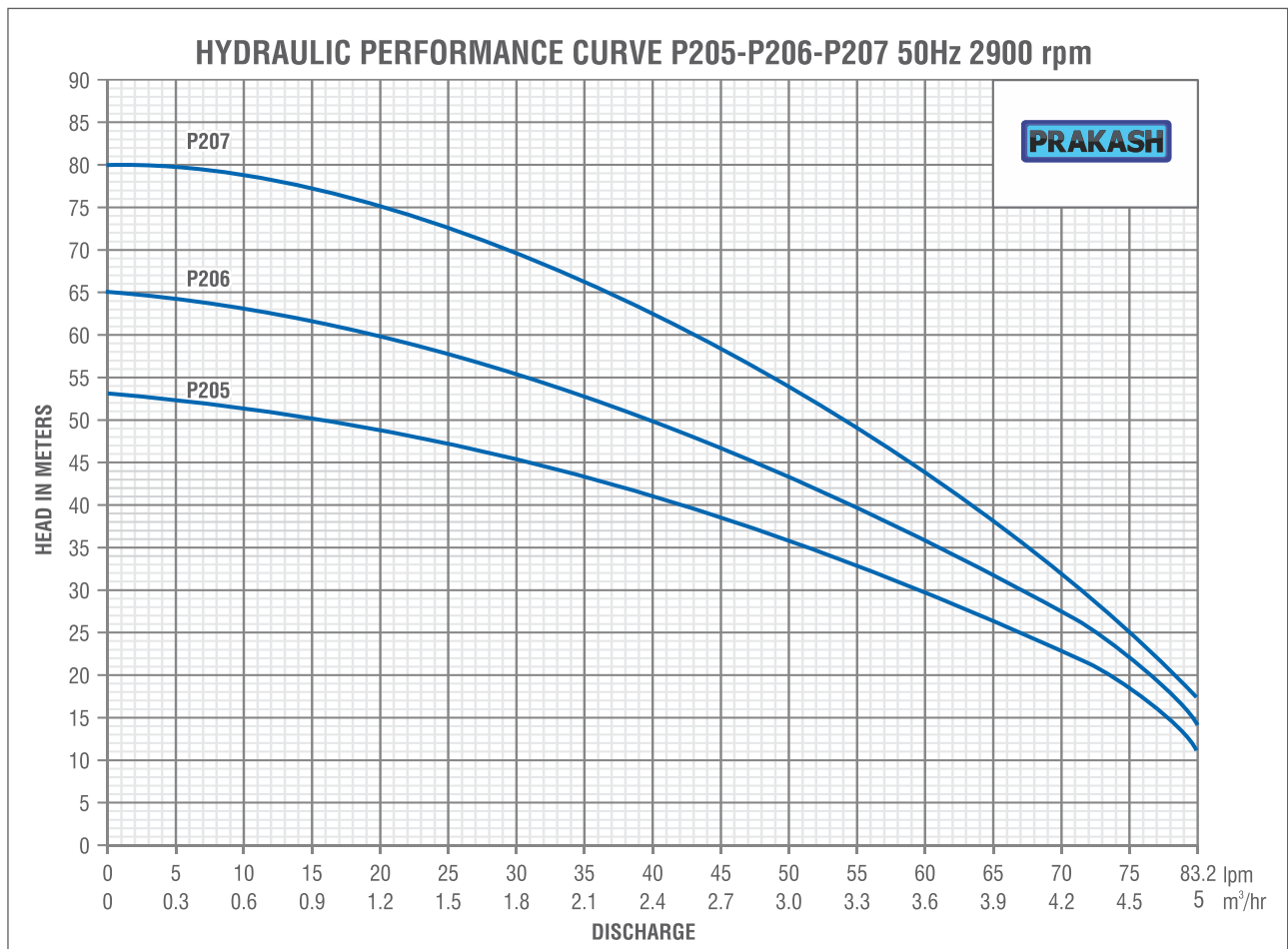
Pump in the Resting Position

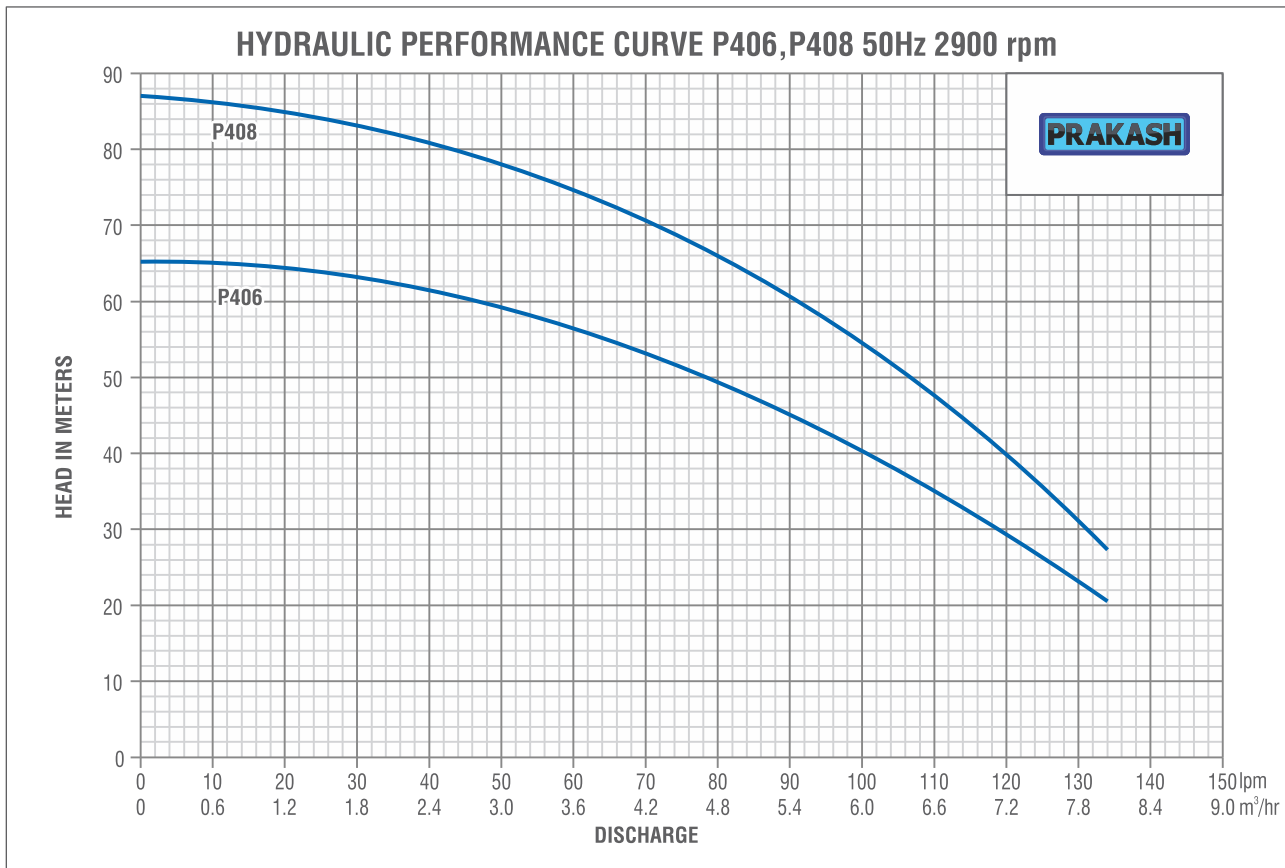


Pump in the Suspended Position

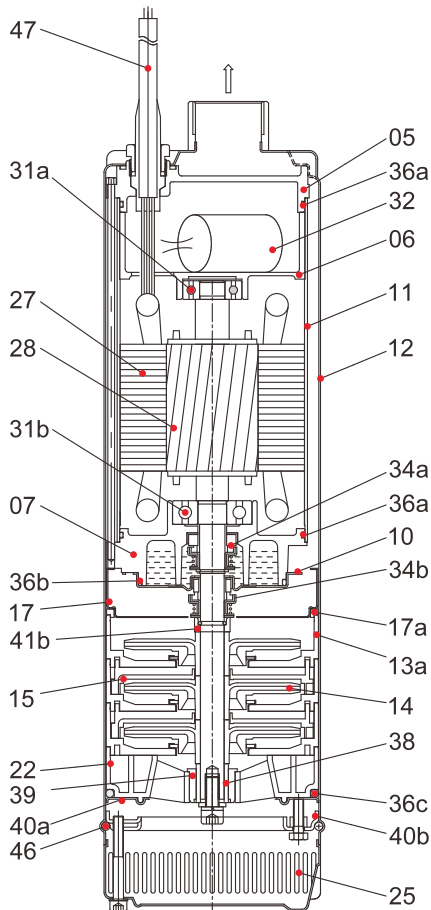


- Electric power cable
- Delivery pipe
- Safety rope
- Pressure gauge
- Air vent valve
- Check valve
- Gate valve





Sectional View & Material of Construction (MOC)



ITEM NO.	PART NAME	MATERIAL
05#	Upper cover	Cast-Cu
6	Up-Bearing House	Aluminum die casting
07#	Bearing house	Cast-Cu
10	Seal bracket	AISI304 SS
11	Motor casing	AISI304 SS
12	Outer casing	AISI304 SS
13a	Pump casing	AISI304 SS
14#	Impeller	PPO/SS
15#	Diffuser	PPO/SS
17	Suction interconnector	AISI304 SS
17a	Coupling ring	PPO
22	Seat assembly	PPO
25	Stainer	AISI304 SS
27	Stator	
28	Rotor	
31a, b	Bearing	
32	Capacitor	
34a	Mechanical seal	Carbon-ceramic
34b	Mechanical seal	Sic-sic
36a,b,c	O-ring	NBR
38	Shaft sleeve	AISI304 SS
39	Bush bearing	PU
40a	Sealing plate	AISI304 SS
40b	Locking plate	AISI304 SS
41b	Pressing block	AISI304 SS
46	Circlips	AISI304 SS
47	Cable	PVC copper (H07RN-F)

#optional: Cast-cu AISI304 SS

PRAKASH

Office in India

PRAKASH PUMP

Survey No. 479, Opp. Supreme Estate-1, Zak Kadadara Road, Vill. - Kadadara,
Tal. Dahegam, Gandhinagar, Gujarat 382305 INDIA E-mail: sale@prakashpump.com

Distributor Office for Middle East

PRAKASH PUMP EST

P.O. Box: 20973 Industrial Area Al Ain (United Arab Emirates)
Tel.: +971 3 7222733 Mob.: +971 50 6731283 E-mail: sale@prakashpump.com

Distributor Office for Oman

GLOBAL EQUIPMENT MATERIAL CO. LLC

P.O. Box. 227, Postal Code: 320 Nakhal Road, Barka (Sultanate of Oman)
Tel.: +968 26883982 Mob.: +968 94584686 E-mail: oman@prakashpump.com

Distributor Office for Saudi Arabia

PRAKASH PUMP INDUSTRY

P.O. Box 14327, Bldg. 3616, Al Marwah 6447, Al Mishael Riyadh City, (Kingdoms of Saudi Arabia)
Sulay Exit 18. Mobile: +966 539811109 Email: saudi@prakashpump.com

Factory Address

PANJI ENGINEERING PVT LTD

Survey No. 479, Opp. Supreme Estate-1, Zak Kadadara Road, Vill. - Kadadara,
Tal. Dahegam, Gandhinagar, Gujarat 382305 INDIA E-mail: sale@prakashpump.com



To get
Quotation by email



PRAKASHPUMPEST

These images given are only for illustration purpose
for further details contact the sales team at
sale@prakashpump.com / oman@prakashpump.com
/ saudi@prakashpump.com



To get
Website

