

PRAKASH

Quality, Reliability, Life

Sewage Cutter Pump



Applications

- Scum pumping at waste water treatment plant
- Municipal projects
- Industrial packaged pump station
- Home and domestic application (Special for kitchen)
- Pumping agricultural manure (dairy, hog and poultry)

Performance Range

- Capacity : up to 25m³/hr
- Head : up to 42m
- Power : 0.75 - 5.5Kw
- Speed : 2900 RPM

Application Limits

- Water temperature up to 40°C
- Maximum Density of trans medium is 1.2x10³kg/m³
- Viscosity of trans medium is 7x10⁻⁷- 23x10⁻⁶m²/s
- Maximum immersion depth: up to 8m
- Liquid PH Value : 4 to 10

Motor Details

- 2 Pole motor & 100% copper winding
- Protection class : IPX8 / IP68
- Insulation class : F
- Cable length : 6 & 8m
- Float switch : Built-in (Only single phase)
- Power supply : Single phase 220-240v, 50Hz
: Three phase 380-420v, 50Hz

Feature and Benefits

Sewage cutter pump is design to handle large concentration of solids and/or tougher solids that conventional sewage pumps cannot handle. It provides clog-free operation by macerating those solids that might clog other types of submersible pumps.

Installation and use

Submersible pump with cutter is an ideal machine for draining sewage. A high-speed rotating cutter is assembled at the inlet hole of the pump, make it easy to cut off long-fiber and firm sundries contained in the sewage, so as to avoid the impeller is blocked by the entanglement.

The protector in the motor can automatically cut off the power when it overheated or overloaded, thus guarantee the security and reliability of pump's running even in the atrocious environment.

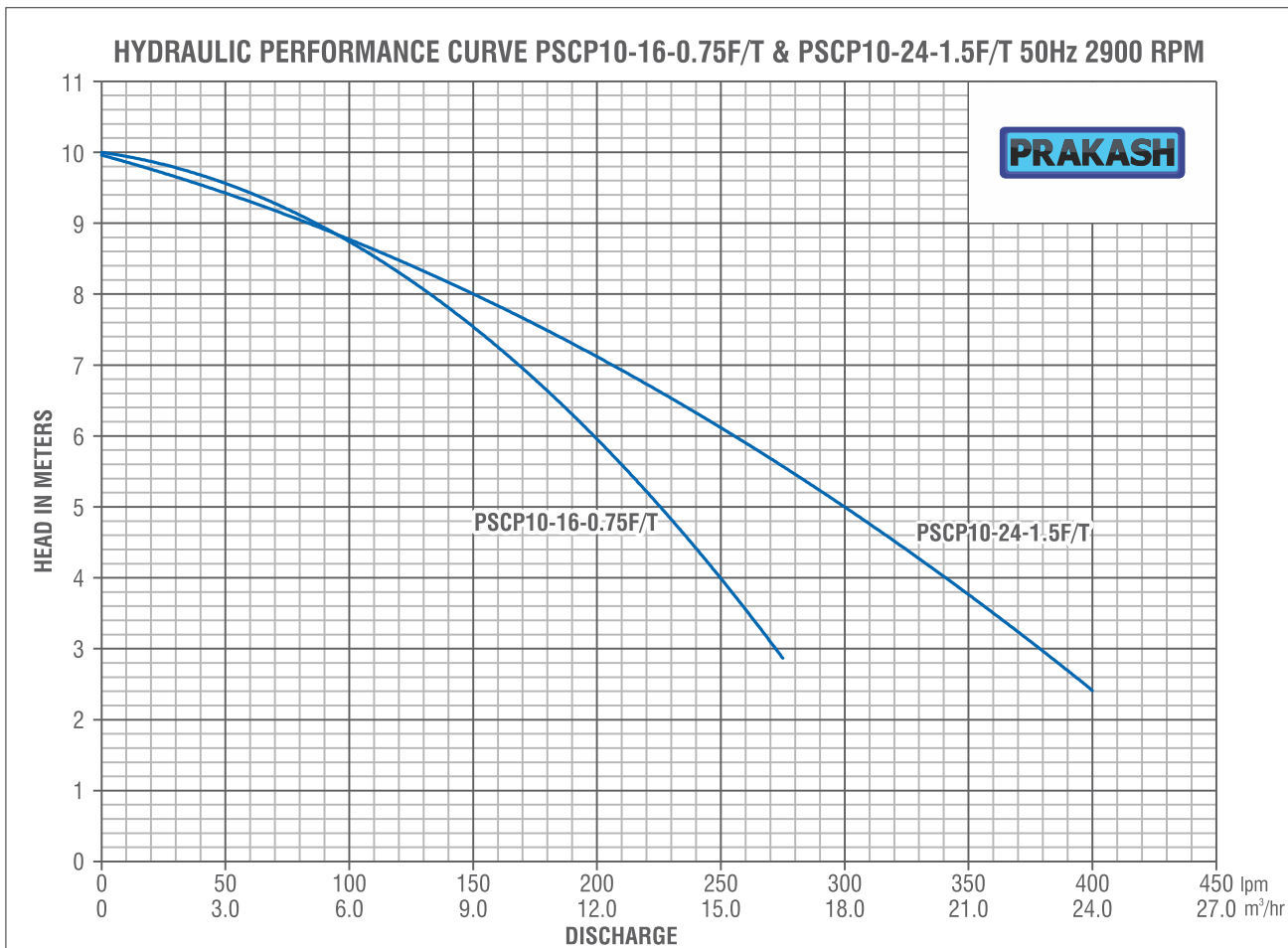
Pump Selection Chart

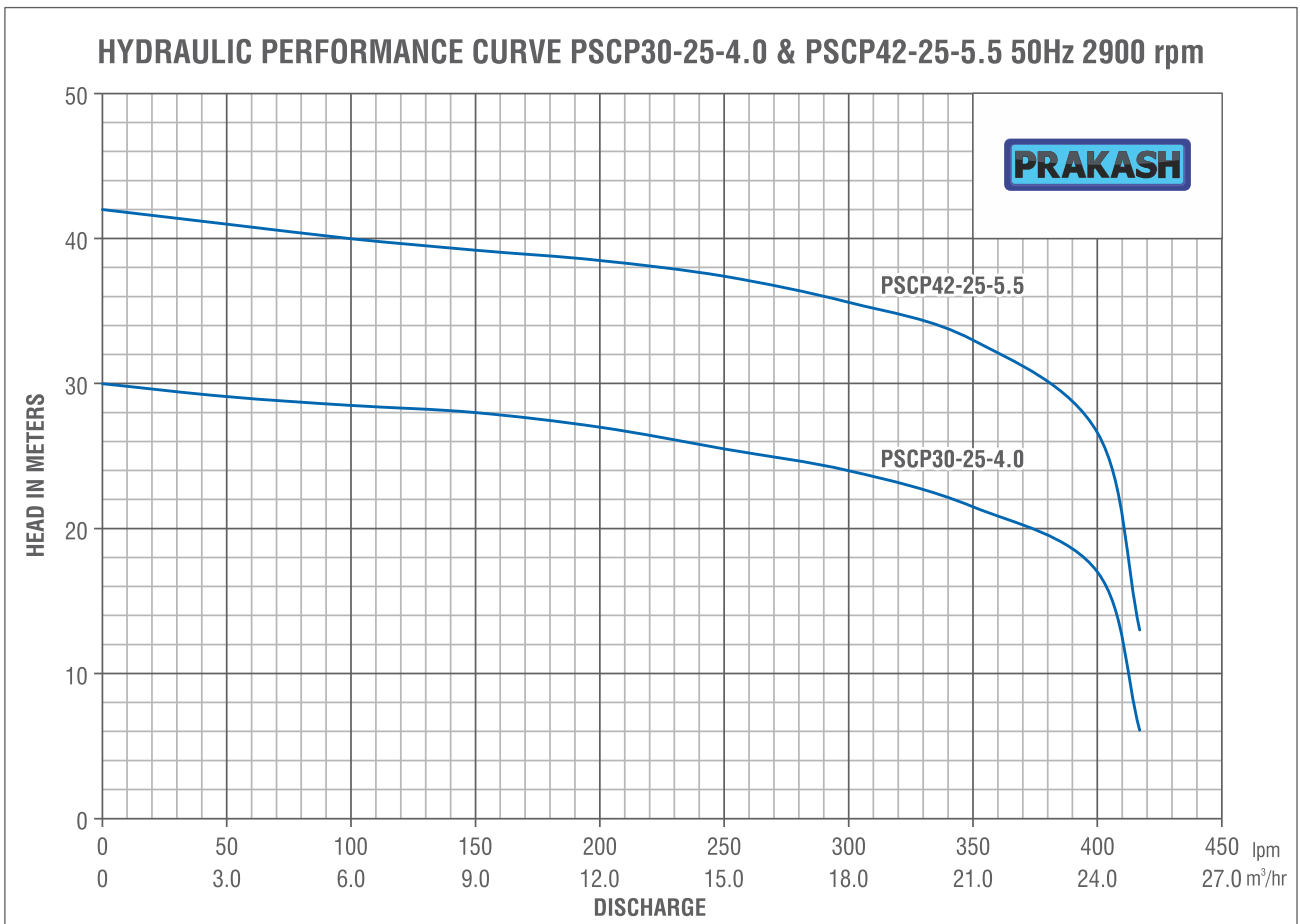
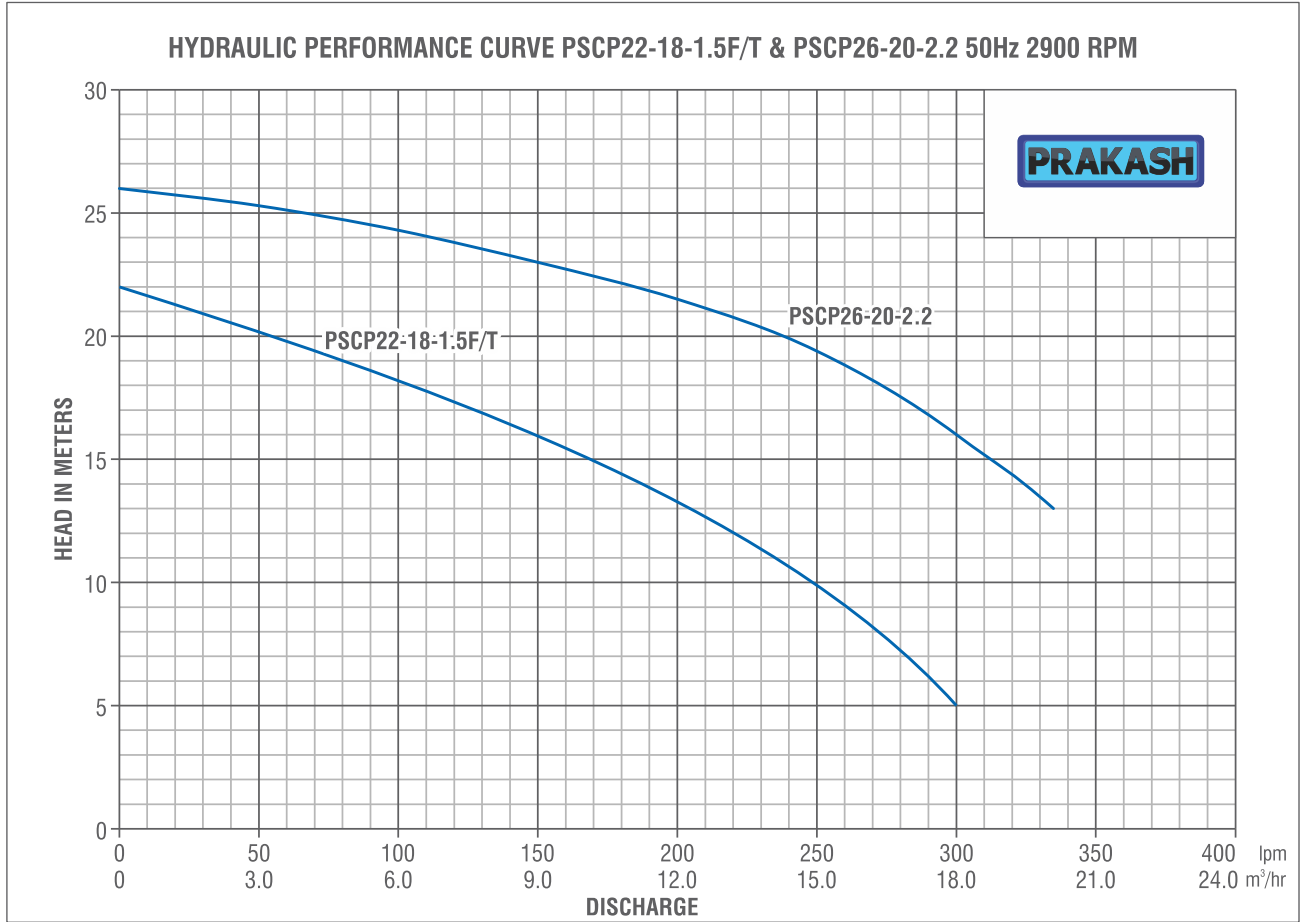
Model	Power		Voltage/ 50Hz	Speed (RPM)	Outlet (Inch)	Guide Rail	Maximum		N.W. KG
	KW	HP					Flow M3/h	Head Mtr	
PSCP10-16-0.75F	0.75	1.0	220-240v	2900	2"	NO	16.5	10	21.7
PSCP10-16-0.75T	0.75	1.0	380-420v	2900	2"	NO	16.5	10	19.7
PSCP10-24-1.5F	1.5	2.0	220-240v	2900	2.5"	NO	24	10	28.5
PSCP10-24-1.5T	1.5	2.0	380-420v	2900	2.5"	NO	24	10	27.1
PSCP22-18-1.5F	1.5	2.0	220-240v	2900	2"	50-50	18	22	28.5
PSCP22-18-1.5T	1.5	2.0	380-420v	2900	2"	50-50	18	22	28.5
PSCP26-20-2.2	2.2	3.0	380-420v	2900	2"/1.5"	50-50	20	26	38.5
PSCP30-25-4.0	4.0	5.5	380-420v	2900	2"	50-50	25	30	52
PSCP42-25-5.5	5.5	7.5	380-420v	2900	2"	50-50	25	42	67.8

Performance Chart

MODEL	Power		Volts	Outlet (Inch)	Q	US GPM	0	7	13	20	26	33	40	46	53	59	66	73
	KW	HP				M ³ /H	0	1.5	3.0	4.5	6.0	7.5	9.0	10.5	12.0	13.5	15.0	16.5
						LPM	0	25	50	75	100	125	150	175	200	225	250	275
PSCP10-16-0.75F	0.75	1.0	220	2	Head (m)	10	9.9	9.4	9.0	8.5	8.0	7.4	6.9	6.0	5.2	4.0	2.5	
PSCP10-16-0.75T	0.75	1.0	380	2	Head (m)	10	9.9	9.4	9.0	8.5	8.0	7.4	6.9	6.0	5.2	4.0	2.5	

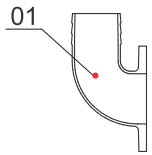
MODEL	Power		Volts	Outlet (Inch)	Q	US GPM	0	13	26	40	53	66	79	92	106	110
	KW	HP				M ³ /H	0	3.0	6.0	9.0	12.0	15.0	18.0	21.0	24.0	25.0
						LPM	0	50	100	150	200	250	300	350	400	417
PSCP10-24-1.5F	1.5	2.0	220	2.5	Head (m)	10	9.2	8.6	8.0	7.2	6.0	4.8	3.8	2.3		
PSCP10-24-1.5T	1.5	2.0	380	2.5	Head (m)	10	9.2	8.6	8.0	7.2	6.0	4.8	3.8	2.3		
PSCP22-18-1.5F	1.5	2.0	220	2	Head (m)	22	20	18	16	13.5	10	5				
PSCP22-18-1.5T	1.5	2.0	380	2	Head (m)	22	20	18	16	13.5	10	5				
PSCP26-20-2.2	2.2	3.0	380	2/1.5	Head (m)	26	25.3	24.3	23	21.5	19.4	16				
PSCP30-25-4.0	4.0	5.5	380	2	Head (m)	30	29.1	28.5	28	27	25.5	24	21.5	17	6.1	
PSCP42-25-5.5	5.5	7.5	380	2	Head (m)	42	41	40	39.2	38.5	37.4	35.6	33	26.6	13	



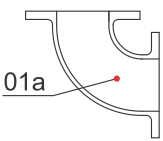


SECTIONAL VIEW (PSCP26-20-2.2, PSCP30-25-4.0, PSCP42-25-5.5)

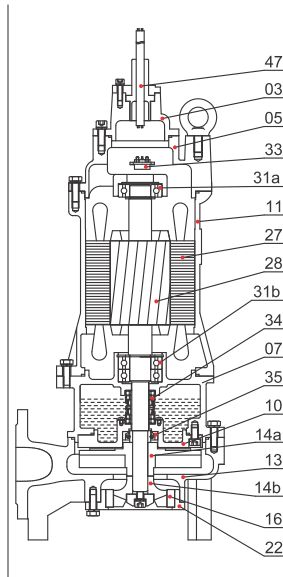
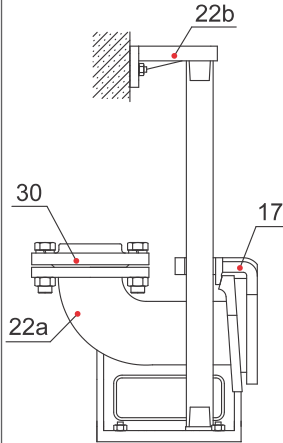
Movable Soft Pipe Installation (R)



Movable Hard Pipe Installation (Y)



Auto-Coupled Installation (Z)



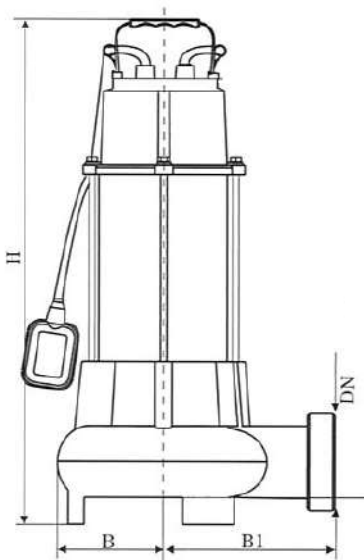
Materials of Construction

Item No.	Part name	Material
01	Hose coupling	Cast iron
01a	Hose coupling	Cast iron
03	Terminal box	Cast iron
05	Upper cover	Cast iron
07	Bearing house	Cast iron
10	Seal bracket	Cast iron
11	Motor body	Cast iron HT200
13	Pump body	Cast iron HT200
14a	Impeller	Ductile iron
14b	Rotary blade	High chrome alloy
16	Stationary Blade	High chrome alloy
17	Coupling adapter	Cast iron
22	Seat assembly	Cast iron
22a	Coupling seat	Cast iron
22b	Upper guide support	Cast iron
27	Stator	
28	Rotor	Shaft: AISI304SS
30	Flange	Cast iron
31a	Bearing	Ball bearing
31b	Bearing	Ball bearing
33	Motor protector	
34	Mechanical seal	Sic-Sic/Carbon-Ceramic
35	Oil seal	
47	Cable	PVC/Copper

Materials of Construction (MOC)

Parts Name	PSCP10-16-0.75F	PSCP10-16-0.75T	PSCP10-24-0.75F	PSCP10-24-0.75T	PSCP22-18-1.5F/T
Motor Housing	SS	SS	SS	SS	SS
Mechanical Seal	Sic-Sic-Viton	Sic-Sic-Viton	Sic-Sic-Viton	Sic-Sic-Viton	Sic-Sic-Viton
Impeller	Cast Iron	Cast Iron	Cast Iron	Cast Iron	Cast Iron
Pump Casing	Cast Iron	Cast Iron	Cast Iron	Cast Iron	Cast Iron

G.A. Drawing



Dimension

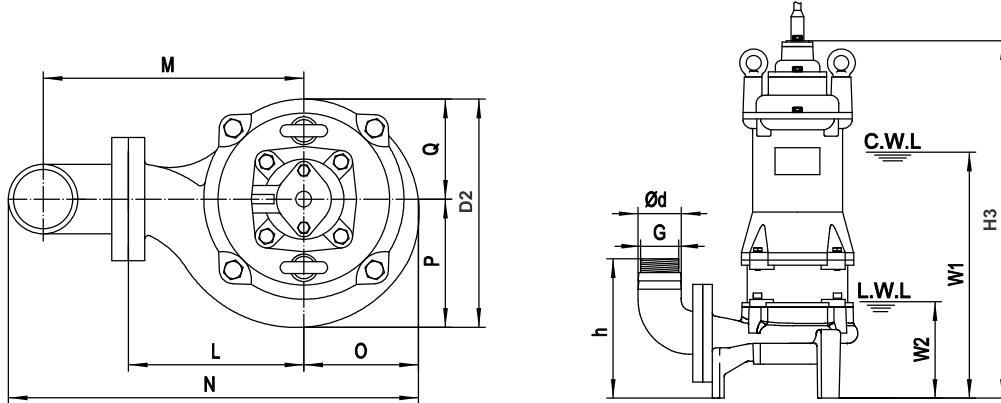
	PSCP10-16-0.75F/T	PSCP10-24-1.5F/T	PSCP22-18-1.5F/T
DN	G2"	G2.5"	G2"
B	100	93	275(B+B1)
B1	145	193	
H	477	496	552

With Scissor Cutting System Submersible Sewage Pump

Sewage Cutter Pump



G.A. Drawing



C.W.L : Continuous running water level
L.W.L : Lowest running water level

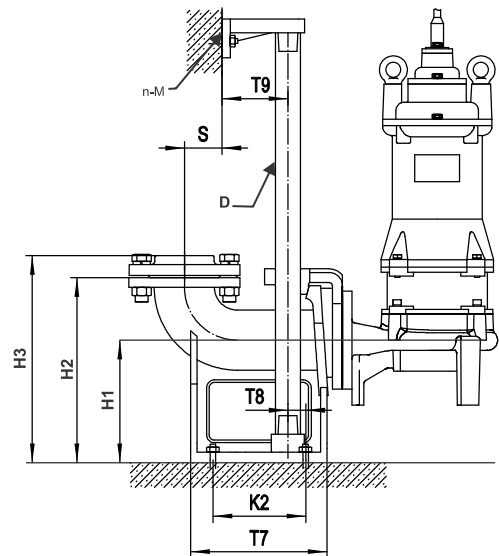
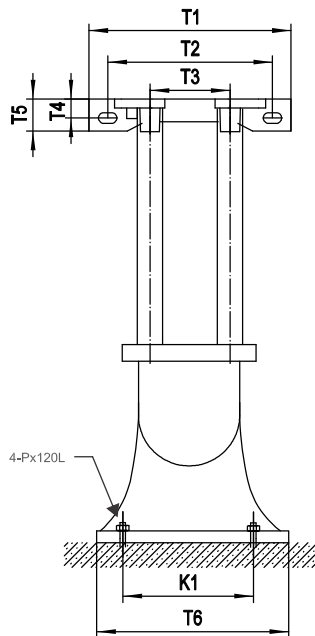
Dimension

MODEL	Ød	G	h	W1	W2	H3	O	P	Q	L	D2	M	N
PSCP26-20-2.2	50	G1½	170	375	125	545	95	100	100	150	200	210	325
PSCP30-25-4.0	50	G1½	205	405	125	610	100	105	100	155	205	220	345
PSCP42-25-5.5	50	G1½	200	440	125	635	110	115	105	160	220	225	360

Sewage Cutter Pump Guide Rail System Details



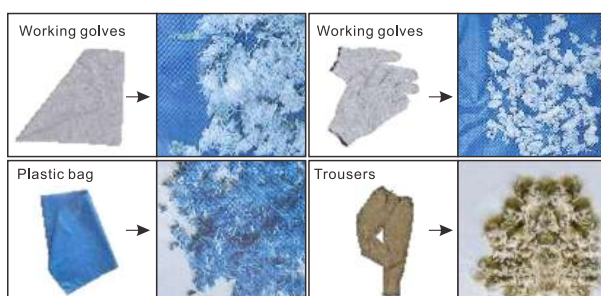
A: Flange size of pump



Guide Rail Dimension

MODEL	T1	T2	T3	T4	T5	T6	T7	T8	T9	K1	K2	S	H1	H2	H3	D	n-M	P	A
40-40	225	185	70	18	35	110	140	4	65	65	70	60	115	195	219	25	2-M10x40	M16	Ø100/4-Ø14
50-50	265	215	105	25	42	200	215	13	67	165	135	63	160	250	276	25	2-M10x40	M16	Ø110/4-Ø10

Grinding Capacity of Pumps



With Scissor Cutting System Submersible Sewage Pump





Office in India

PRAKASH PUMP

Survey No. 479, Opp. Supreme Estate-1, Zak Kadadara Road, Vill. - Kadadara,
Tal. Dahegam, Gandhinagar, Gujarat 382305 INDIA E-mail: sale@prakashpump.com

Distributor Office for Middle East

PRAKASH PUMP EST

P.O. Box: 20973 Industrial Area Al Ain (United Arab Emirates)
Tel.: +971 3 7222733 Mob.: +971 50 6731283 E-mail: sale@prakashpump.com

Distributor Office for Oman

GLOBAL EQUIPMENT MATERIAL CO. LLC

P.O. Box. 227, Postal Code: 320 Nakhal Road, Barka (Sultanate of Oman)
Tel.: +968 26883982 Mob.: +968 94584686 E-mail: oman@prakashpump.com

Distributor Office for Saudi Arabia

PRAKASH PUMP INDUSTRY

P.O. Box 14327, Bldg. 3616, Al Marwah 6447, Al Mishael Riyadh City, (Kingdoms of Saudi Arabia)
Sulay Exit 18. Mobile: +966 539811109 Email: saudi@prakashpump.com

Factory Address

PANJI ENGINEERING PVT LTD

Survey No. 479, Opp. Supreme Estate-1, Zak Kadadara Road, Vill. - Kadadara,
Tal. Dahegam, Gandhinagar, Gujarat 382305 INDIA E-mail: sale@prakashpump.com



To get
Quotation by email



PRAKASHPUMPEST

These images given are only for illustration purpose
for further details contact the sales team at
sale@prakashpump.com / oman@prakashpump.com
/ saudi@prakashpump.com



To get
Website

