

PRAKASH

Quality, Reliability, Life

Sewage Pump



Applications

- Municipal Project
- Industrial & Residential Building
- Mining
- Civil engineering
- Pumping Sewage from domestic, hotel, school and public building

Application Limits

- Water temperature up to 40°C
- Ambient temperature : up to 40°C
- Density of liquid : 1.3g/cm³
- Maximum operating depth: up to 40m
- Liquid pH : 6.5 to 8.5

Feature and Benefits

- Non-clogging double vane impeller can pump large solid cove full range of head.
- Chrome plated shaft ensure high corrosion resistant and wear resistance.
- Designed for pumping sewage, waste water, rainwater and living water containing solid grains, various fabric, sludge and solid.

Performance Range

- Capacity : up to 1000 m³/hr
- Head : up to 50m
- Speed 1450 & 2900 rpm
- Power : 0.37 - 75Kw

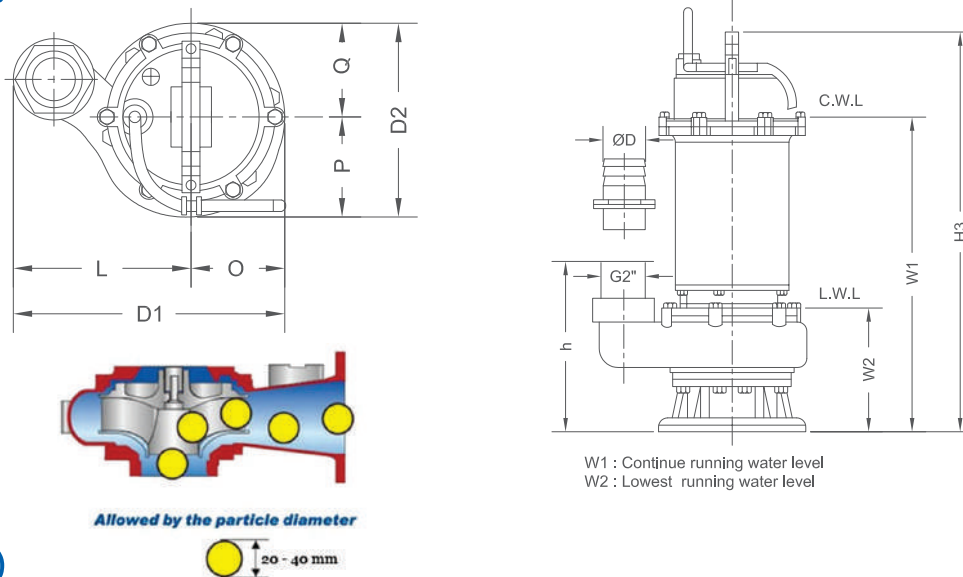
Motor Details

- 2 & 4 Pole Motor
- 100% Copper winding
- Protection class : IPX8/IP68
- Insulation class : F
- Power Rating : 0.37 - 75Kw
- Power supply : Single Phase: 220v-240v, 50Hz
Three Phase: 380v-420v, 50Hz
- Thermal protection : Built-in (only single phase)

Installation and Use

This model of pump is characterized with high heads, compact size, light weight and convenient use and vastly used in high-position water delivery, flush and places as construction sites. The float switch can automatically control on and off with the change of the water level. The protection in the motor can automatically cut off the power when it overheats or over current.

G.A. Drawing



W1 : Continue running water level
W2 : Lowest running water level

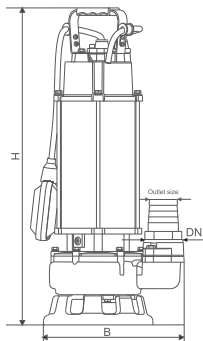
Dimension (mm)

Model	Dimensions in mm										
	ØD	h	W1	W2	H3	L	O	Q	P	D1	D2
PSP10-10-0.75F	50	200	315	120	450	115	90	90	96	241	186
PSP10-12-1.1F	50	206	325	120	464	130	90	90	90	256	180
PSP10-15-1.5F	50	206	345	120	484	130	90	90	90	256	180

Sewage Pump

PRAKASH

G.A. Drawing



Dimension (mm)

	PSP7-9-0.37F	PSP10-10-0.75F (SS)	PSP15-15-1.5F
DN	G1.25"	1.5"	G2"
B	164	265	260
H	357	410	546

Pump Selection Chart

Model	Power		Voltage/ 50Hz	Speed (RPM)	Outlet (Inch)	Guide Rail	Rated		Maximum		Impeller Passage	N.W. KG
	KW	HP					Flow M3/h	Head Mtr	Flow M3/h	Head Mtr		
PSP7-9-0.37F	0.37	0.5	220-240V	2900	1.25	NO	4.5	4.5	9	7	15	9.2
PSP10-10-0.75F (SS)	0.75	1.0	220-240V	2900	1.5	NO	10	11	22	14	-	13.7
PSP10-10-0.75F / FG	0.75	1.0	220-240V	2900	2	NO/50-50	10	10	25	12	25	21.3
PSP10-12-1.1F / FG	1.1	1.5	220-240V	2900	2	NO/50-50	10	12	25	15	20	23.8
PSP10-15-1.5F	1.5	2.0	220-240V	2900	2	NO	10	15	30	19	20	26.2
PSP15-15-1.5F	1.5	2.0	220-240V	2900	2	NO	15	15	37	20	25	22.5
PSP15-15-1.5F (SS)	1.5	2.0	220-240V	2900	2	50-50	15	15	37	20	25	25
PSP15-20-2.2 (SS)	2.2	3.0	380-420V	2900	2	50-50	15	20	40	22	25	28
PSP15-20-2.2	2.2	3.0	380-420V	2900	2	50-50	15	20	40	22	25	44
PSP25-17-2.2	2.2	3.0	380-420V	2900	2.5	65-65	25	17	40	25	25	42
PSP40-9-2.2	2.2	3.0	380-420V	2900	3	80-80	40	9	65	16	30	44.3
PSP15-26-3	3.0	4.0	380-420V	2900	2	50-50	15	26	46	29	25	49
PSP25-22-3	3.0	4.0	380-420V	2900	2.5	65-65	25	22	50	27.5	30	52
PSP40-13-3	3.0	4.0	380-420V	2900	3	80-80	40	13	70	21	30	52
PSP40-18-4	4.0	5.5	380-420V	2900	3	80-80	40	18	81	24	30	59.2
PSP60-13-4	4.0	5.5	380-420V	2900	4	100-100	60	13	93	24	30	62
PSP15-40-5.5	5.5	7.5	380-420V	2900	2	50-50	15	40	52	43	25	73
PSP30-30-5.5	5.5	7.5	380-420V	2900	3	80-80	30	30	47	36	30	75.5
PSP65-15-5.5	5.5	7.5	380-420V	2900	4	100-100	65	15	110	25	30	79
PSP65-22-7.5	7.5	10	380-420V	2900	4	100-100	65	22	145	35	35	116
PSP100-10-7.5	7.5	10	380-420V	2900	6	150-150	100	10	160	20	35	134
PSP100-20-11	11	15	380-420V	2900	6	150-150	100	20	200	29	50	139
PSP100-21-11	11	15	380-420V	1450	4	100-100	100	21	198	29	50	247
PSP100-27-15	15	20	380-420V	1450	4	100-100	100	27	218	35	50	268
PSP300-12-15	15	20	380-420V	1450	8	200-200	300	12	490	21	70	305
PSP500-11-22	22	30	380-420V	1450	10	250-250	500	11	760	22	90	402
PSP300-30-45	45	60	380-420V	1450	8	200-200	300	30	660	43	90	619
PSP500-34-75	75	100	380-420V	1450	10	250-250	500	34	1000	50	90	868

PERFORMANCE CHART

Model	Power		Q	US GPM	0	22	44	66	80	110	132	154	176	198	220	242	264	286	308	330	352	396		
	KW	HP		M ³ /H	0	5	10	15	20	25	30	35	40	45	50	55	60	65	70	75	80	90		
				LPM	0	83	167	250	333	417	500	583	667	750	834	917	1000	1084	1167	1250	1334	1494		
PSP7-9-0.37F	0.37	0.5	Head (m)	7	4																			
PSP10-10-0.75F (SS)	0.75	1.0	Head (m)	14	13	11.5	10.5	8																
PSP10-10-0.75F / FG	0.75	1.0	Head (m)	12	11	9.5	8	6	4															
PSP10-12-1.1F / FG	1.1	1.5	Head (m)	15	13.8	12	10	7	4															
PSP10-15-1.5F	1.5	2.0	Head (m)	19	17	15.5	13.5	11	8	4														
PSP15-15-1.5F / (SS)	1.5	2.0	Head (m)	20	18.5	17.5	16	15	13	11.5	9.5													
PSP15-20-2.2 / (SS)	2.2	3.0	Head (m)	22	21	20	19	18	16.5	15	13	11												
PSP25-17-2.2	2.2	3.0	Head (m)	25	23.5	22	20.5	19	17	15	12.5	10												
PSP40-9-2.2	2.2	3.0	Head (m)	16	15.5	14.5	13.5	12.5	11.5	10.5	9.5	8.5	7.5	6.5	5.5	4.5	3							
PSP15-26-3	3.0	4.0	Head (m)	29	28	27	26	24.5	23	21	19	17	15											
PSP25-22-3	3.0	4.0	Head (m)	27.5	26.2	25	24	22.5	21	19	17	15	12.5	10										
PSP40-13-3	3.0	4.0	Head (m)	21	20	18.5	17	15.5	14	13	12	11	10	9	8	7	5.5	4						
PSP40-18-4	4.0	5.5	Head (m)	24	23.5	23	22	21	20	19	18	17	16	15	13.5	12	10.5	9	7	4				
PSP60-13-4	4.0	5.5	Head (m)	24	23	22	21	20	19	18.5	18	17	16	15	14	12.5	10.5	9	7.5	6	3			
PSP15-40-5.5	5.5	7.5	Head (m)	43	42	41	39.5	38	36.5	34.5	32.5	28	25	21										
PSP30-30-5.5	5.5	7.5	Head (m)	36	35	34	33	32	31	30	28.5	25	16											

Model	Power		Q	US GPM	0	110	220	330	440	550	661	771	881	959
	KW	HP		M ³ /H	0	25	50	75	100	125	150	175	200	218
				LPM	0	417	834	1250	1667	2084	2501	2917	3334	3632
PSP65-15-5.5	5.5	7.5	Head (m)	25	21	18	13	7						
PSP65-22-7.5	7.5	10	Head (m)	35	30	25	21	16	11					
PSP100-10-7.5	7.5	10	Head (m)	20	19	18	16	13.5	10	5				
PSP100-20-11	11	15	Head (m)	29	27	25	22	20	17	13	10	5		
PSP100-21-11	11	15	Head (m)	29	26	24	22.5	21	18	14.5	10			
PSP100-27-15	15	20	Head (m)	35	32	30	28.5	26.5	24	21	17	13	10	

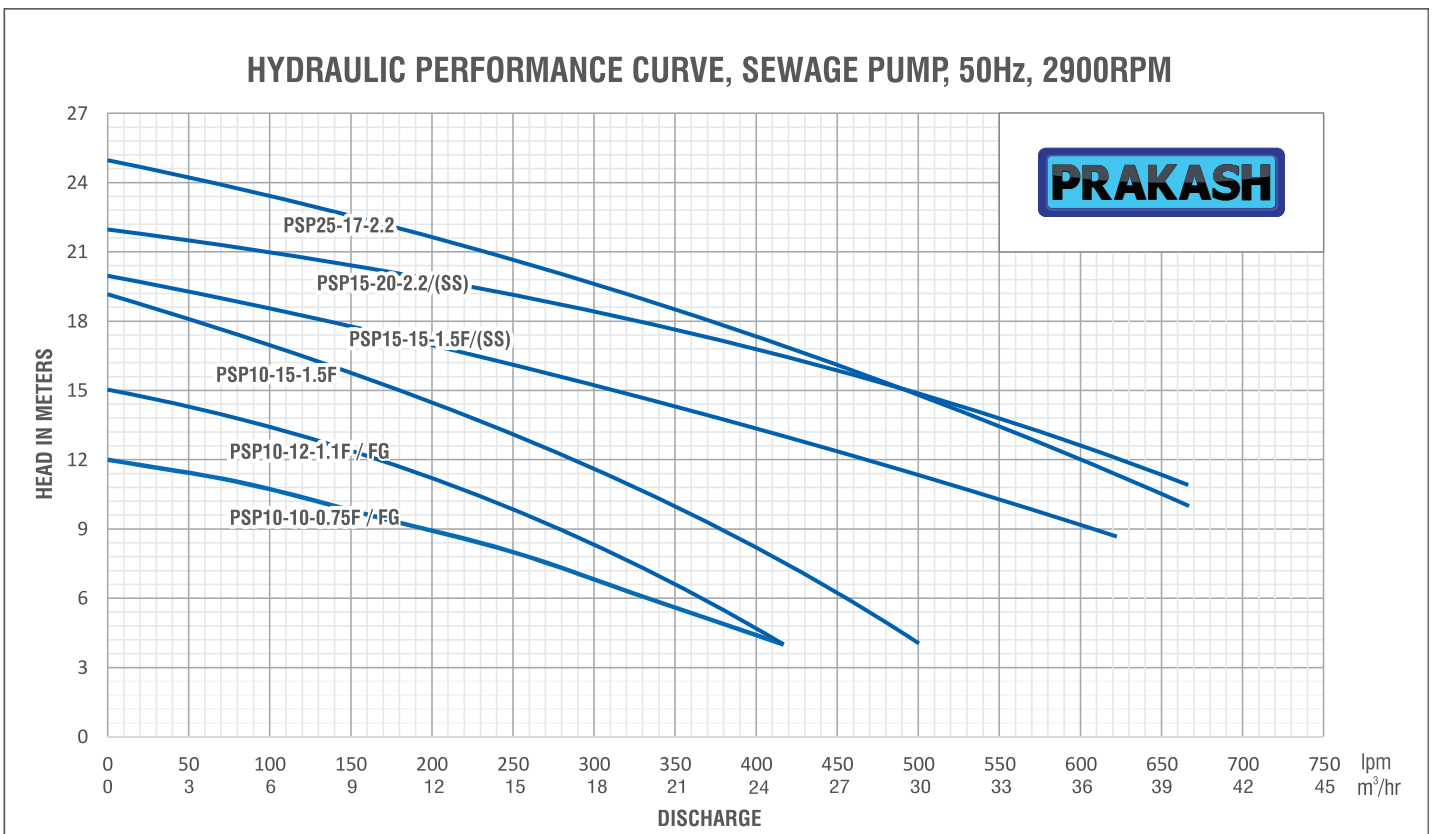
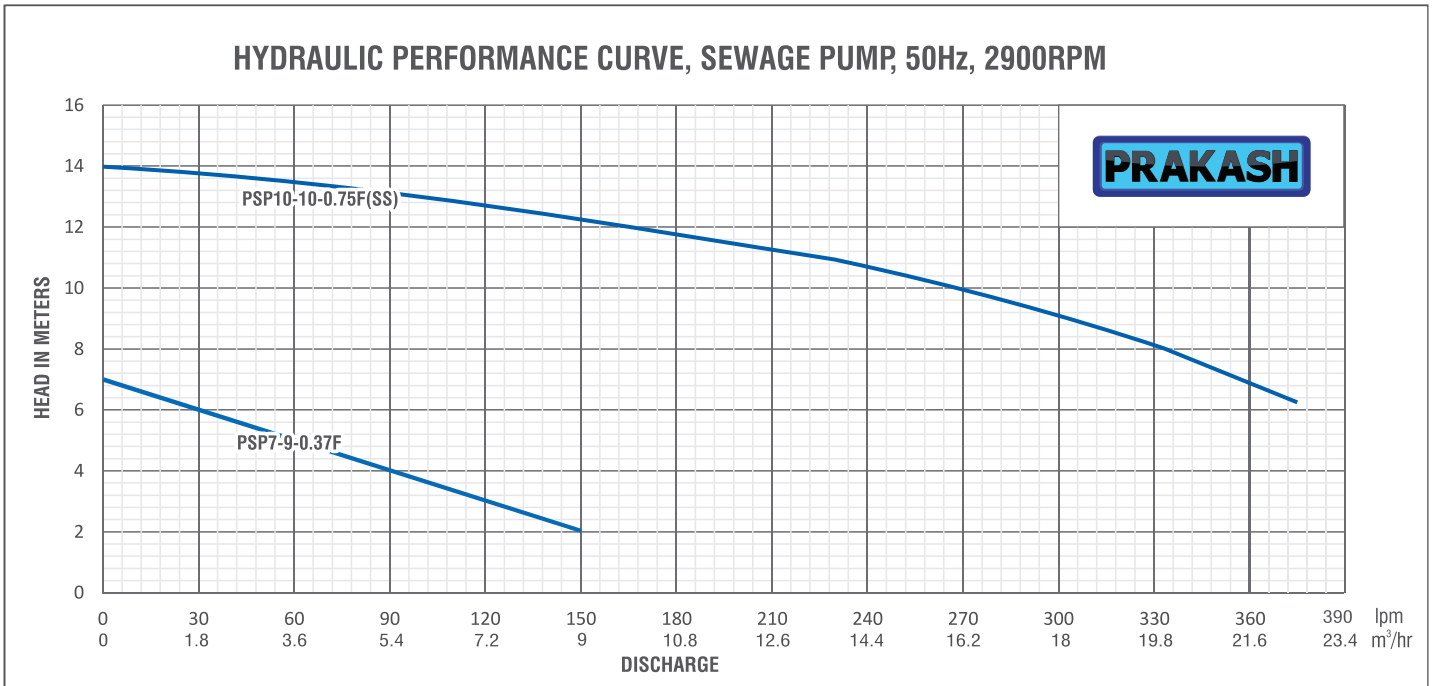
Model	Power		Q	US GPM	0	220	440	660	880	1100	1320	1540	1760	1980	2200
	KW	HP		M ³ /H	0	50	100	150	200	250	300	350	400	450	490
				LPM	0	834	1667	2501	3334	4167	5001	5835	6668	7502	8168
PSP300-12-15	15	20	Head (m)	21	17	16	15	14	13	12	10	8	6	4	

Model	Power		Q	US GPM	0	440	880	1100	1320	1540	1760	1980	2200	2420	2640	2860	3080	3300
	KW	HP		M ³ /H	0	100	200	250	300	350	400	450	500	550	600	650	700	760
				LPM	0	1667	3334	4168	5001	5835	6668	7502	8335	9169	10002	10836	11669	12669
PSP500-11-22	22	30	Head (m)	22	18.5	17	16	15	14.5	13	12	11	9.5	8	6.5	4.5	3	

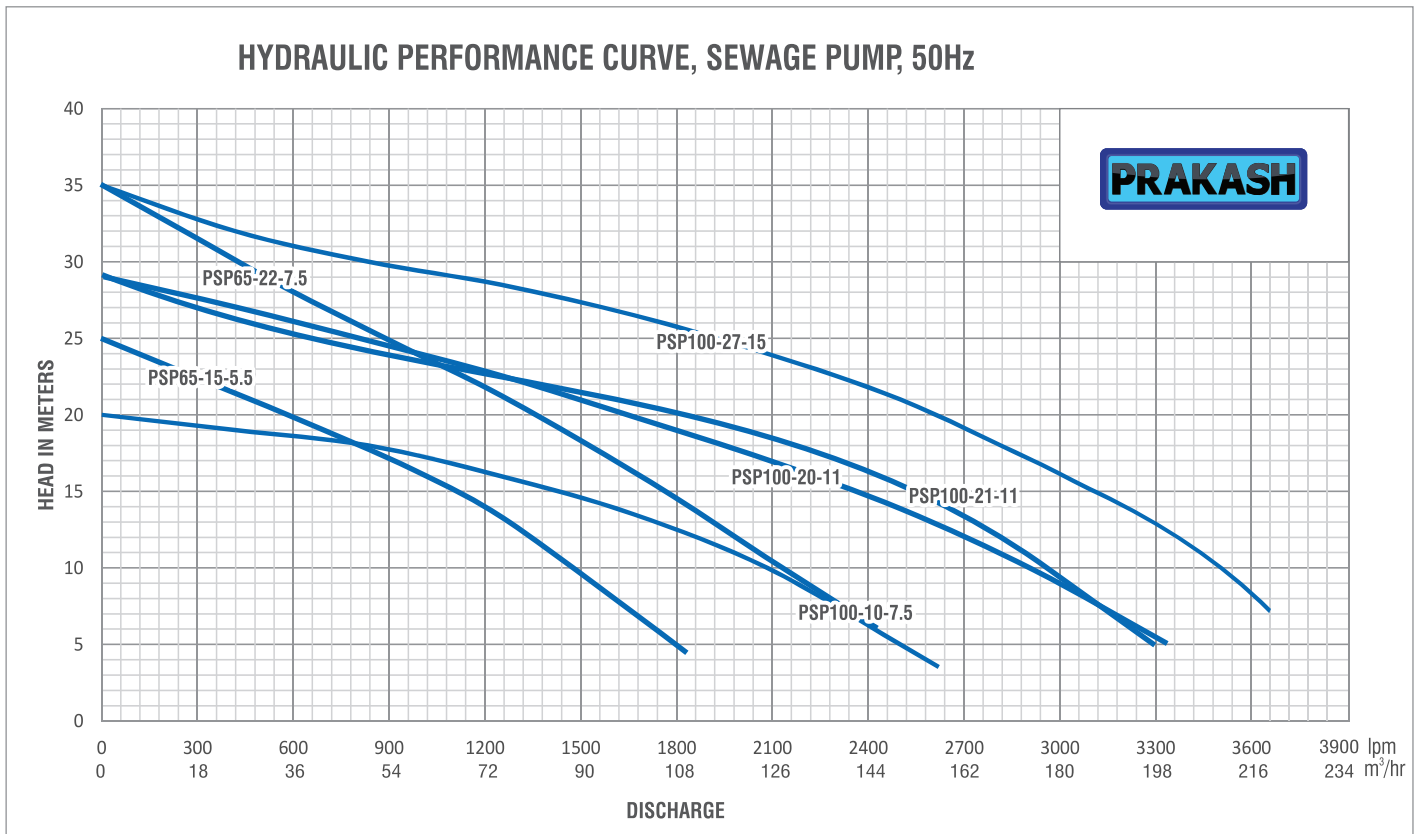
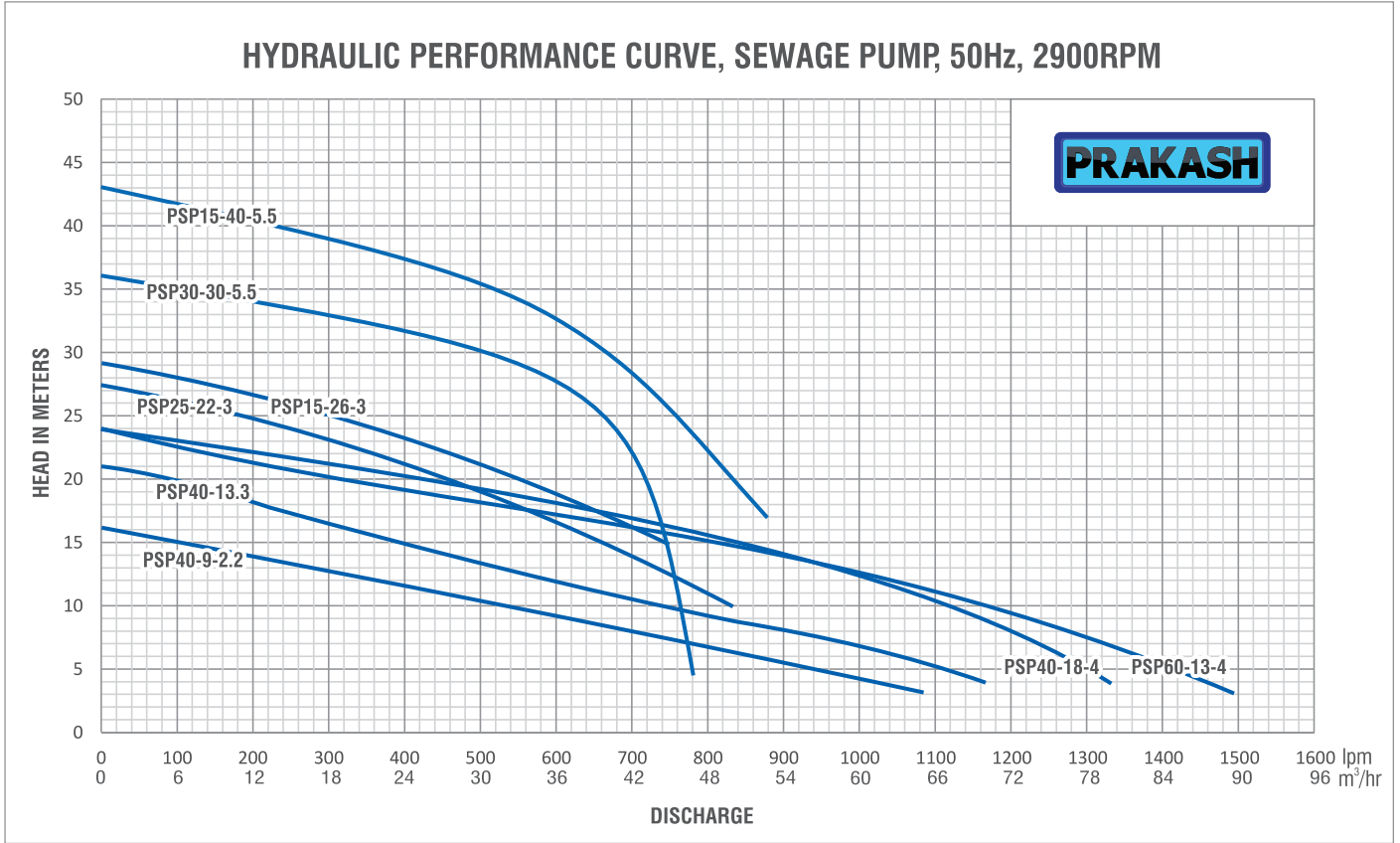
Model	Power		Q	US GPM	0	440	880	1100	1320	1540	1760	1980	2200	2420	2640	2904
	KW	HP		M ³ /H	0	100	200	250	300	350	400	450	500	550	600	660
				LPM	0	1667	3334	4168	5001	5835	6668	7502	8335	9169	10002	11002
PSP300-30-45	45	60	Head (m)	43	38	33.5	31	29.5	27.5	25	22.5	19	15	11	6	

Model	Power		Q	US GPM	0	660	1100	1540	1980	2420	2860	3300	3740	4180	4620
	KW	HP		M ³ /H	0	150	250	350	450	550	650	750	850	950	1000
				LPM	0	2501	4168	5835	7502	9169	10836	12503	14170	15837	16670
PSP500-34-75	75	100	Head (m)	50	44	42	39	35.5	32	28	23	17	10	5	

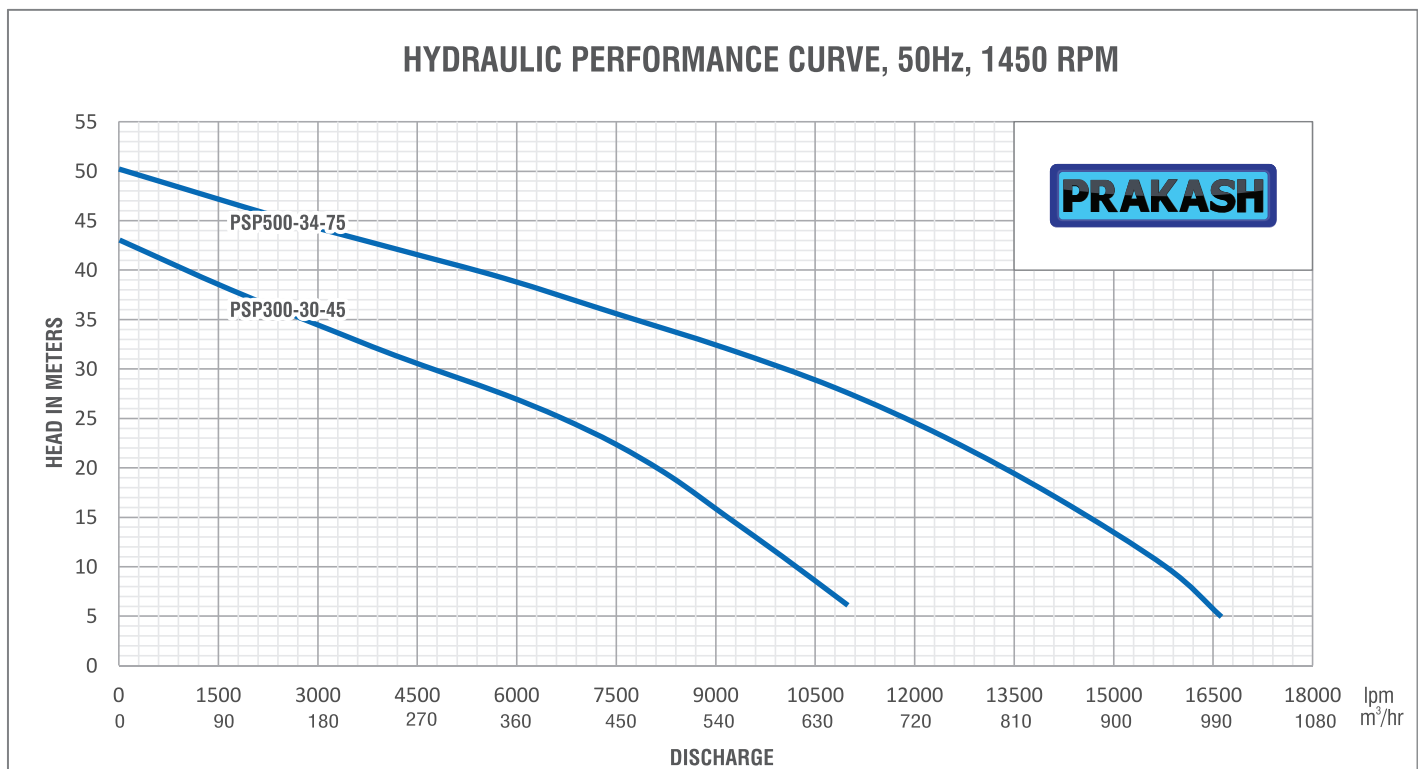
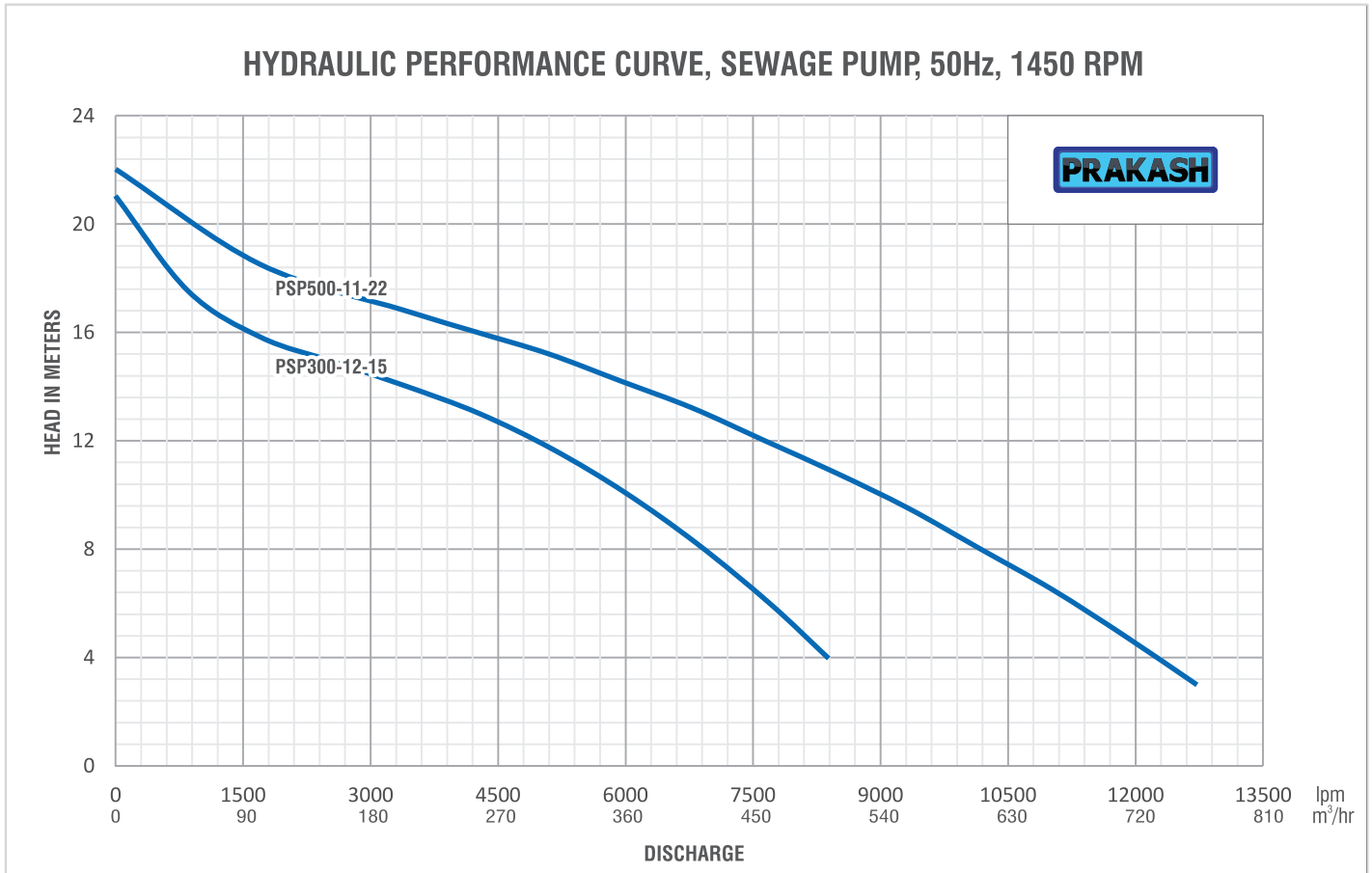
Performance Curve



Performance Curve



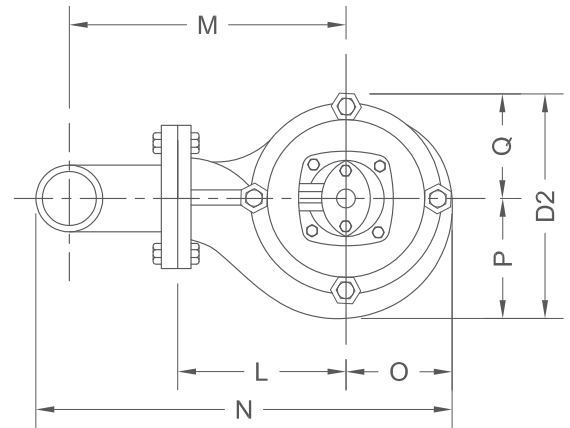
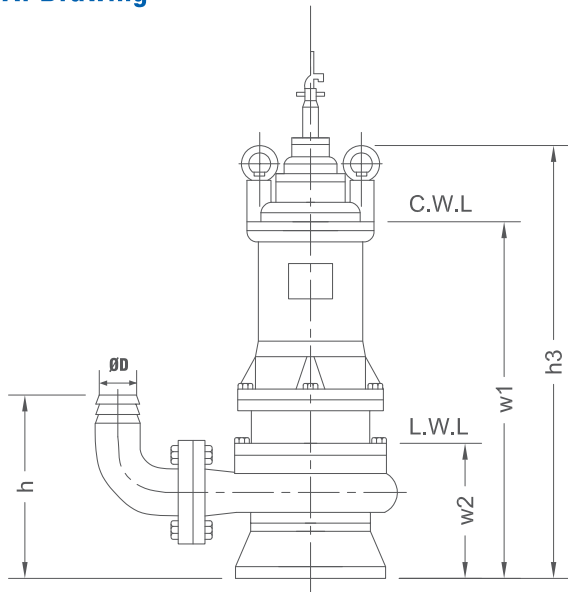
Performance Curve



Sewage Pump

PRAKASH

G.A. Drawing

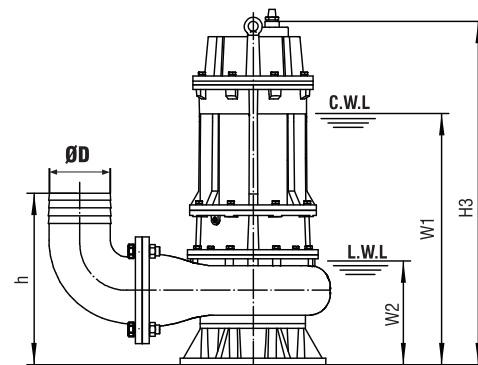
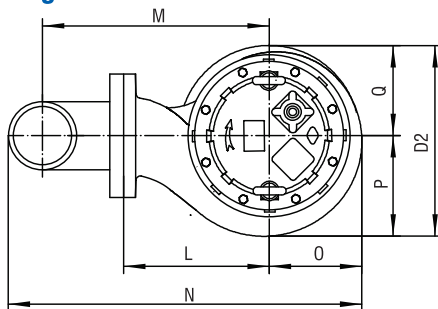


W1 : Continue running water level
W2 : Lowest running water level

Dimension

Model	Dimensions in mm											
	ØD	h	w1	w2	h3	N	O	P	Q	L	M	D2
PSP10-10-0.75FG	50	200	315	120	450	314	93	100	90	129	195	190
PSP10-12-1.1FG	50	197	325	120	464	316	90	90	90	134	200	180
PSP15-15-1.5F (SS)	50	209	430	160	522	335	102	102	102	142	204	204
PSP15-20-2.2 (SS)	50	209	445	160	550	335	102	102	102	142	204	204
PSP15-20-2.2	50	213	445	224	550	360	105	114	98	165	230	212
PSP25-17-2.2	65	233	445	150	550	365	105	115	100	165	228	215
PSP40-9-2.2	85	251	455	158	560	385	105	112	96	160	245	208
PSP15-26-3	50	212	464	150	570	360	105	115	97	165	230	212
PSP25-22-3	65	222	464	150	570	365	105	115	98	165	228	213
PSP40-13-3	80	262	490	177	595	380	105	115	98	155	235	213
PSP40-18-4	80	272	528	195	640	375	105	112	98	150	230	210
PSP60-13-4	100	302	528	195	640	405	105	112	98	150	250	210
PSP15-40-5.5	50	237	523	165	645	390	120	125	115	180	245	240
PSP30-30-5.5	80	270	540	182	660	405	110	115	105	175	255	220
PSP65-15-5.5	100	305	505	190	697	465	129	140	125	181	283	265

G.A. Drawing



W1 : Continue running water level
W2 : Lowest running water level

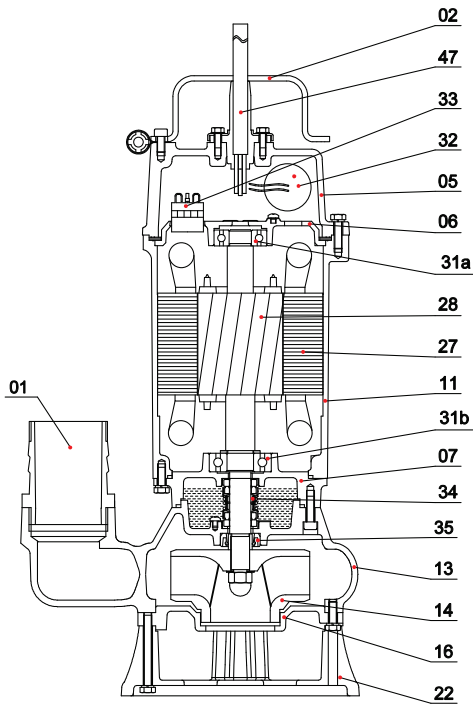
Dimension

Model	Dimensions in mm											
	ØD	h	W1	W2	H3	N	O	P	Q	L	M	D2
PSP65-22-7.5	100	344	560	230	784	516	162	162	162	202	304	324
PSP100-10-7.5	150	405	575	245	795	598	162	162	162	210	362	324
PSP100-21-11	100	374	650	255	934	673	211	217	211	310	413	428
PSP100-20-11	150	404	615	245	844	600	162	162	162	210	364	324
PSP100-27-15	100	374	695	255	979	673	211	217	211	310	412	428
PSP300-12-15	200	544	740	325	1008	866	222	251	211	340	544	462
PSP500-11-22	250	-	830	400	1131	-	279	311	272	400	-	583
PSP300-30-45	200	582	930	380	1286	982	288	310	272	390	594	582
PSP500-34-75	250	-	1140	440	1575	-	324	349	321	460	-	670

Sewage Pump

PRAKASH

SECTIONAL VIEW (PSP10-10-0.75F, PSP10-12-1.1F, PSP10-15-1.5F)



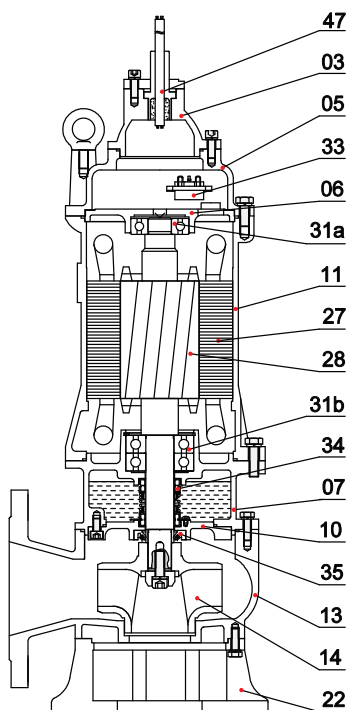
Materials of Construction (MOC)

Item No.	Part name	Material
01	Hose Coupling	Cast iron
02	Handle	Steel
05	Upper cover	Cast iron
06	Up-Bearing house	Cast iron
07	Bearing house	Cast iron
11	Motor body	Cast iron
13	Pump Body	Cast iron
14	Impeller	Cast iron
16	Inlet plate	Cast iron
22	Seat assembly	Cast iron
27	Stator	Combination part
28	Rotor	Shaft : AISI304SS
31a	Bearing	Ball bearing
31b	Bearing	Ball bearing
32	Capacitor	Combination part
33	Motor protector	Combination part
34	Mechanical seal	Sic-Ceramic/ Carbon-Ceramic
35	Oil Seal	
47	Cable	

Materials of Construction (MOC)

Parts Name	PSP7-9-0.37F	PSP10-10-0.75F (SS)	PSP15-15-1.5F	PSP15-15-1.5F (SS)	PSP15-20-2.2 (SS)
Motor Housing	SS	SS304	SS304	SS304	SS304
Mechanical Seal	Graphite/Ceramics	Sic-Car-Viton	Graphite/Ceramic	Sic-Sic-Viton	Sic-Sic-Viton
Impeller	PA66/30% Fiber	SS304	Cast Iron	SS304	SS304
Pump Casing	Cast Iron	SS304	Cast Iron	SS304	SS304

SECTIONAL VIEW (PSP10-10-0.75FG, PSP10-12-1.1FG, PSP15-20-2.2, PSP25-17-2.2, PSP40-9-2.2, PSP15-26-3, PSP25-22-3, PSP40-13-3, PSP40-18-4, PSP60-13-4, PSP15-40-5.5, PSP30-30-5.5, PSP65-15-5.5)



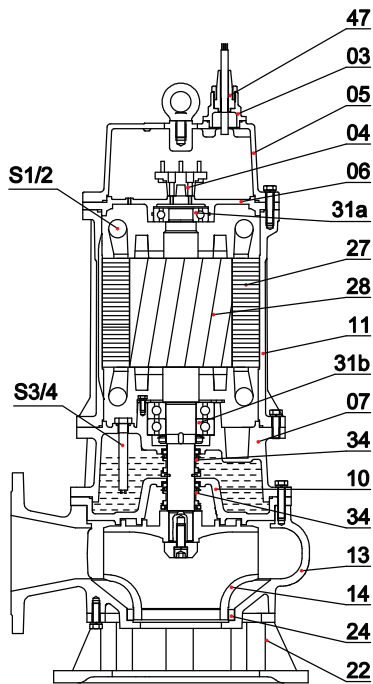
Materials of Construction (MOC)

Item No.	Part name	Material
01	Hose Coupling	Cast iron
01a	Hose Coupling	Cast iron
03	Terminal Box	Cast iron
05	Upper cover	Cast iron
06	Up-Bearing house	Cast iron
07	Bearing house	Cast iron
10	Seal bracket	Cast iron
11	Motor body	Cast iron
13	Pump body	Cast iron
14	Impeller	Cast iron
22	Seat assembly	Cast iron
22a	Coupling seat	Cast iron
22b	Upper Guide support	Cast iron
27	Stator	Cast iron
28	Rotor	Shaft : AISI304SS
30	Flange	Cast iron
31a	Bearing	Ball bearing
31b	Bearing	Ball bearing
33	Motor protector	
34	Mechanical seal	Sic-Ceramic/ Carbon-Ceramic
35	Oil seal	
37	Cable	

Sewage Pump



SECTIONAL VIEW (PSP65-22-7.5, PSP100-10-7.5, PSP100-21-11, PSP100-20-11, PSP100-27-15, PSP300-12-15, PSP500-11-22, PSP300-30-45, PSP500-34-75)



Materials of Construction (MOC)

Item No.	Part name	Material
01	Hose Coupling	Cast iron
01a	Hose Coupling	Cast iron
03	Terminal Box	Cast iron
04	Wiring terminal	Combination part
05	Upper Cover	Cast iron
06	Up-Bearing house	Cast iron
07	Bearing house	Cast iron
10	Seal bracket	Cast iron
11	Motor body	Cast iron
13	Pump body	Cast iron
14	Impeller	Ductile iron
22	Seat assembly	Cast iron
22a	Coupling seat	Cast iron
22b	Upper Guide support	Cast iron
24	Neck ring	High chrome alloy
27	Stator	Combination part
28	Rotor	Shaft : AISI420SS
30	Flange	Cast iron
31a	Bearing	Ball bearing
31b	Bearing	Ball bearing
34	Mechanical seal	Sic-Sic
47	Cable	

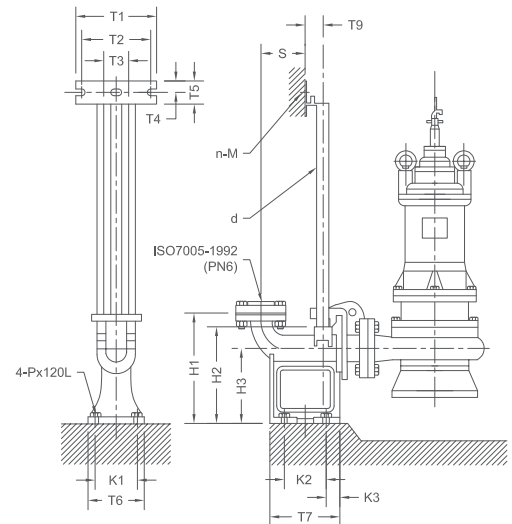
Note : Shaft SS304 ≤11kW 2 Pole

Sewage Pump Guide Rail System Details



A: Flange size of pump

G.A. Drawing



Guide Rail Dimension

MODEL	T1	T2	T3	T4	T5	T6	T7	T8	T9	K1	K2	K3	S	H1	H2	H3	D	n-M	P	A
50-50	288	185	70	25	63	160	200	10	50	120	120	40	125	250	203	170	25	2-M10x40	M16	ø110/4-ø10
50-65	288	185	70	25	63	160	200	10	50	120	120	40	125	250	203	170	25	2-M 10x40	M16	ø110/4-ø14
65-65	288	195	80	25	63	190	220	10	60	120	120	40	130	250	203	175	32	2-M10x40	M16	ø130/4-ø14
65-80	288	195	80	25	63	190	220	10	60	120	120	40	130	270	220	175	32	2-M10x40	M16	ø130/4-ø14
80-80	288	195	80	25	63	220	250	15	60	170	170	40	165	290	242	192	32	2-M10x40	M16	ø150/4-ø18
80-100	288	195	80	25	63	220	250	15	60	170	170	40	165	290	242	192	32	2-M10x40	M16	ø150/4-ø18
100-100A	362	245	100	30	71	250	290	19	95	200	200	45	181	340	285	220	32	2-M 12x40	M16	ø170/4-ø18
100-100	410	315	170	30	60	320	385	17	90	260	300	48	200	305	245	200	32	2-M12x50	M18	ø170/4-ø18
150-150	410	260	280	30	60	400	410	90	100	300	300	55	300	480	388	300	40	2-M12x50	M20	ø225/8-ø18
200-200	400	400	280	24	48	400	445	110	95	300	355	-	230	440	325	550	-	2-M12x50	M20	-
250-250	400	260	280	24	48	460	560	94	95	360	430	-	301	460	315	630	-	2-M12x50	M20	-

PRAKASH

Office in India

PRAKASH PUMP

Survey No. 479, Opp. Supreme Estate-1, Zak Kadadara Road, Vill. - Kadadara,
Tal. Dahegam, Gandhinagar, Gujarat 382305 INDIA E-mail: sale@prakashpump.com

Distributor Office for Middle East

PRAKASH PUMP EST

P.O. Box: 20973 Industrial Area Al Ain (United Arab Emirates)
Tel.: +971 3 7222733 Mob.: +971 50 6731283 E-mail: sale@prakashpump.com

Distributor Office for Oman

GLOBAL EQUIPMENT MATERIAL CO. LLC

P.O. Box. 227, Postal Code: 320 Nakhal Road, Barka (Sultanate of Oman)
Tel.: +968 26883982 Mob.: +968 94584686 E-mail: oman@prakashpump.com

Distributor Office for Saudi Arabia

PRAKASH PUMP INDUSTRY

P.O. Box 14327, Bldg. 3616, Al Marwah 6447, Al Mishaal Riyadh City, (Kingdoms of Saudi Arabia)
Sulay Exit 18. Mobile: +966 539811109 Email: saudi@prakashpump.com

Factory Address

PANJI ENGINEERING PVT LTD

Survey No. 479, Opp. Supreme Estate-1, Zak Kadadara Road, Vill. - Kadadara,
Tal. Dahegam, Gandhinagar, Gujarat 382305 INDIA E-mail: sale@prakashpump.com



To get
Quotation by email



PRAKASHPUMPEST

These images given are only for illustration purpose
for further details contact the sales team at
sale@prakashpump.com / oman@prakashpump.com
/ saudi@prakashpump.com



To get
Website

