

# PRAKASH

Quality, Reliability, Life

## Submersible Drainage Pump



## Applications

- Civil Engineering
- Industrial & Residential Building sites
- Basements or other utility pits
- Rain water & Mud Water

## Performance Range

- Flow: up to 18 m<sup>3</sup>/h
- Head: up to 14.5 meters
- Speed: 2900 RPM
- Power: 0.55-0.75 Kw

## Application limits

- Liquid temperature : up to 40 °C
- Ambient temperature : up to 40 °C
- Liquid PH value : 6.5 to 8.5
- Minimum water level : 1 mm
- Max. operating depth : 8 meter

## Motor Details

- 2 Pole Motor
- 100% Copper winding
- Protection class : IPX8 / IP68
- Insulation class : F
- Voltage : 220-240v, 50Hz
- Thermal Protection : Built-in
- Cable length : 8 meters

## Installation and use

PSDP series pump is a portable submersible residue drainage pump. There is a one-way valve in the bottom inlet to prevent the water in the pipeline from flowing back. The minimum water level can be pumped to 1mm.

PSDP pump adopts lightweight design. The small outer diameter allows it to be used in an 8-inch well. The components of PSDP series are made of wear-resistant rubber and ductile iron, which is with excellent durability. The water is sucked from the bottom and discharged from the top through the inner layer between the motor case and the water jacket, which provides the highest cooling efficiency for the motor and allows continuous operation at low water level. A large gap is between the semi open impeller and the pump body, so the impeller will not easily be stuck by mud or sand. The hose coupling could be installed vertically or obliquely to prevent the soft hose pipe from folding or bending.

**Note :** Please irrigate 2.5 liter water into the pump before initial operation.

## Pump Selection Chart

Model	Power		Voltage /50Hz	Speed (RPM)	Outlet (inch)	Max. Flow (LPM)	Max. Head (meter)	Net Weight (Kg)
	KW	HP						
PSDP550	0.55	0.75	220-240v	2900	1"	125	11	12.7
PSDP750	0.75	1.0	220-240v	2900	2"	300	14.5	15.1

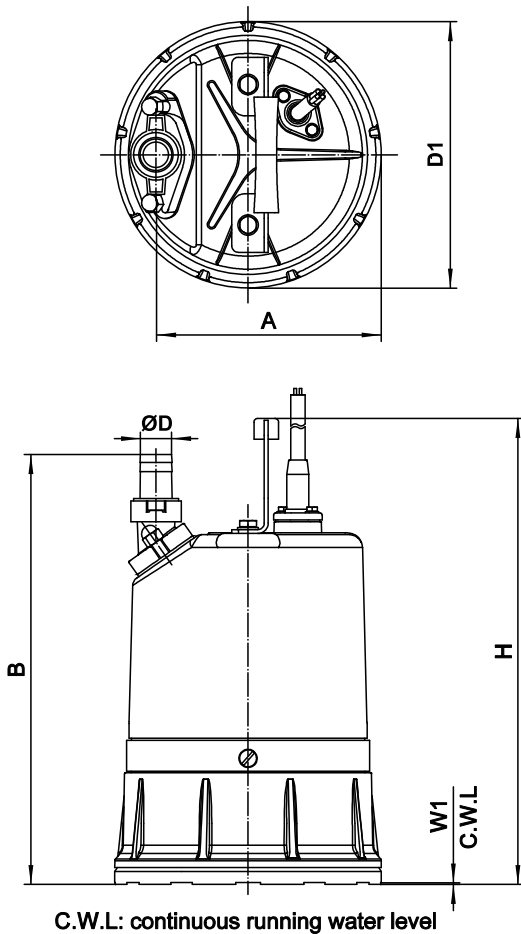
## Pump Dimension

Model	Dimension in mm					
	ØD	A	B	D1	H	W1
PSDP550	25	173	325	205	358	1
PSDP750	50	173	365	205	398	1

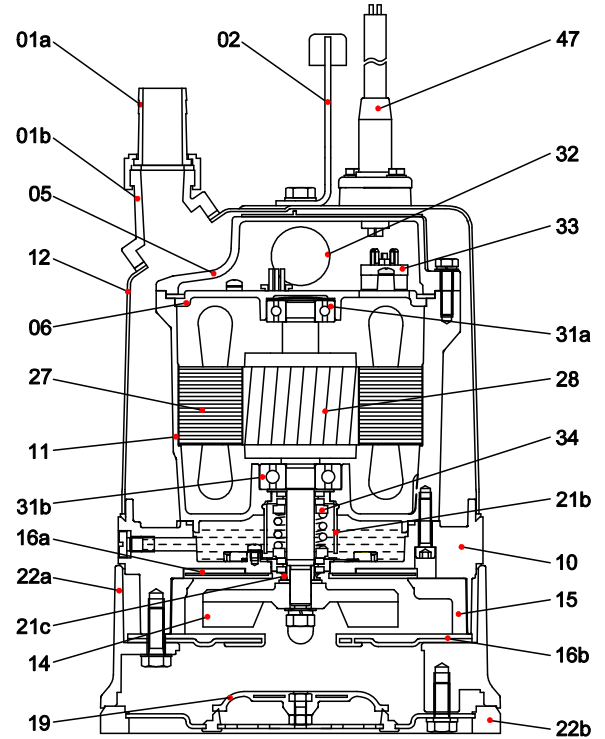
# Submersible Drainage Pump



## G.A Drawing



## Sectional View

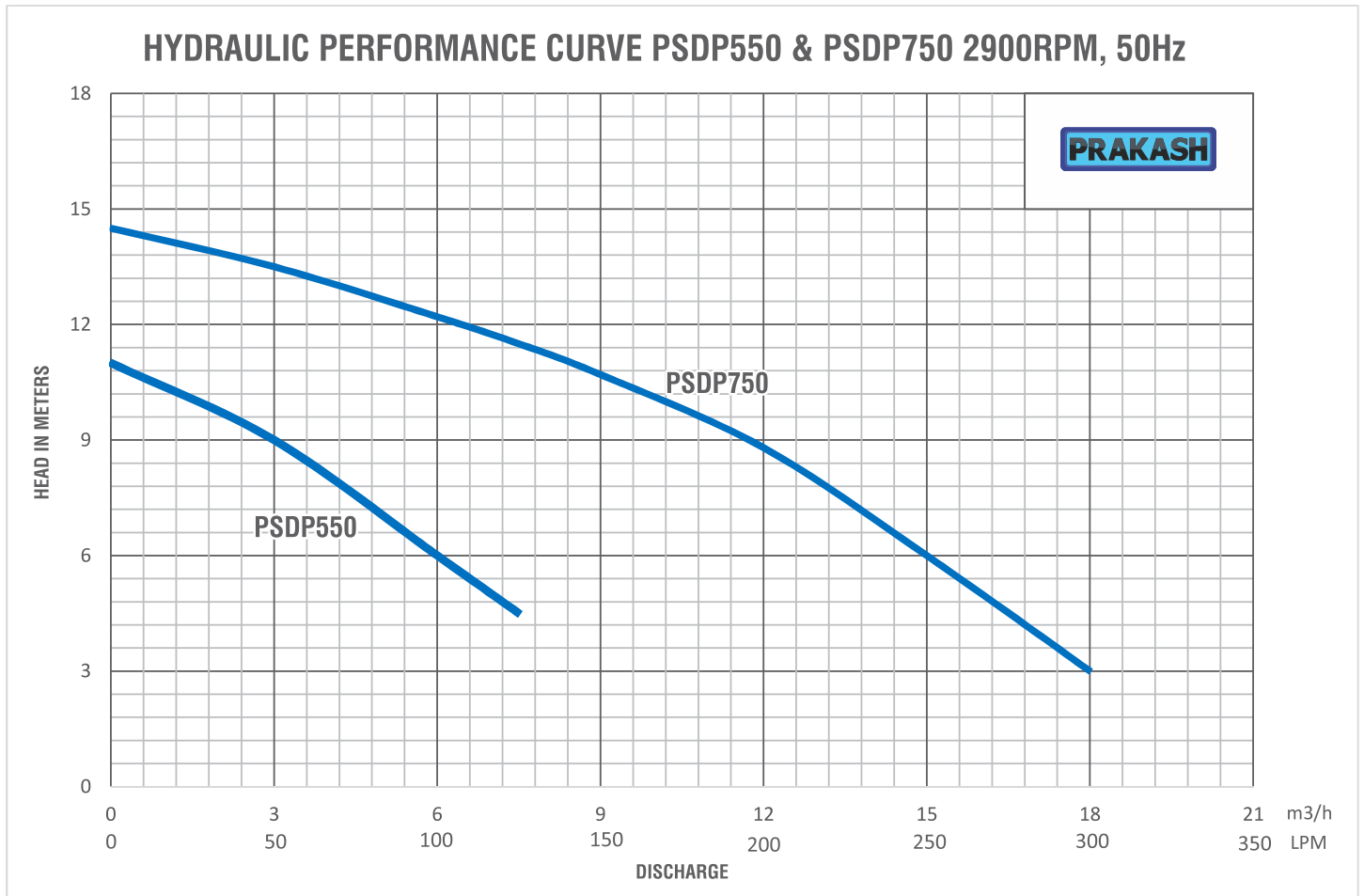


## Construction of Material (MOC)

Item No.	Name of Parts	Material	Item No.	Name of Parts	Material
01	Hose Coupling	Aluminum die casting	21a	Oil riser	NBR
01b	Hose Coupling	Aluminum die casting	21b	Sand guard	LDPE
02	Handle	Rubber & Steel	22a	Stainer	Aluminum die casting
05	Upper cover	Aluminum die casting	22b	Stainer	NBR & Steel
06	Up-Bearing house	Cast Iron	27	Stator	
10	Seal Housing	Aluminum die casting	28	Rotor	Shaft SS420
11	Motor body	Aluminum die casting	31a	Bearing	Ball bearing
12	Pump body/ Outer casing	Carbon Steel	31b	Bearing	Ball bearing
14	Impeller	Ductile Iron	32	Capacitor	
15	Diffuser	NBR	33	Motor protector	
16a	Plate	NBR & Steel	34	Mechanical seal	Ceramic-sic/carbon-ceramic
16b	Inlet plate	NBR & Steel	47	Cable	Copper & PVC
19	Check valve	NBR & Steel			

## Pump Performance Chart

Model	Power		Q	US GPM	0	13.2	26.4	33	39.6	52.8	66	79.2
	KW	HP		M <sup>3</sup> /H	0	3	6	7.5	9	12	15	18
				LPM	0	50	100	125	150	200	250	300
PSDP550	0.55	0.75	Head (m)	11	9	6	4.5					
PSDP750	0.75	1.0	Head (m)	14.5	13.5	12	11.5	10.7	9	6	3	





**Office in India**

**PRAKASH PUMP**

Survey No. 479, Opp. Supreme Estate-1, Zak Kadadara Road, Vill. - Kadadara,  
Tal. Dahegam, Gandhinagar, Gujarat 382305 INDIA E-mail: sale@prakashpump.com

**Distributor Office for Middle East**

**PRAKASH PUMP EST**

P.O. Box: 20973 Industrial Area Al Ain (United Arab Emirates)  
Tel.: +971 3 7222733 Mob.: +971 50 6731283 E-mail: sale@prakashpump.com

**Distributor Office for Oman**

**GLOBAL EQUIPMENT MATERIAL CO. LLC**

P.O. Box. 227, Postal Code: 320 Nakhal Road, Barka (Sultanate of Oman)  
Tel.: +968 26883982 Mob.: +968 94584686 E-mail: oman@prakashpump.com

**Distributor Office for Saudi Arabia**

**PRAKASH PUMP INDUSTRY**

P.O. Box 14327, Bldg. 3616, Al Marwah 6447, Al Mishael Riyadh City, (Kingdoms of Saudi Arabia)  
Sulay Exit 18. Mobile: +966 539811109 Email: saudi@prakashpump.com

**Factory Address**

**PANJI ENGINEERING PVT LTD**

Survey No. 479, Opp. Supreme Estate-1, Zak Kadadara Road, Vill. - Kadadara,  
Tal. Dahegam, Gandhinagar, Gujarat 382305 INDIA E-mail: sale@prakashpump.com



To get  
Quotation by email



**PRAKASHPUMPEST**

These images given are only for illustration purpose  
for further details contact the sales team at  
sale@prakashpump.com / oman@prakashpump.com  
/ saudi@prakashpump.com



To get  
Website

