

PRAKASH

Quality, Reliability, Life

Submersible Slurry Pump



www.prakashpump.com

Submersible Slurry Pump



Applications

- Civil engineering
- Mines, quarries, coal ore and slurries
- Sewage treatment
- General pumping purposes
- Pumping fluid :Sludge, liquids-containing mud and bentonite

Application Limits

- Liquid temperature : up to 40 °C
- Ambient temperature : up to 40 °C
- Max Operating Depth : up to 20m
- Liquid PH : 6.5 - 8.5

Installation and use

Submersible slurry pump with a 4-pole motor for an increased lifetime and greater convenience.

High chrome alloy impeller combined with agitator for pumping heavy slurry. Slim design with a top discharge enabling installation in smaller casing. For bentonite mixed water in foundation works or muddy water in civil engineering works.

Performance Range

- Capacity : Up to 370 m³/h
- Head : Up to 32 meters
- Discharge : 80mm (3") to 200mm (8")
- Speed : 1450 RPM

Motor Details

- 4 Pole motor
- 100% Copper winding
- Protection class : IP68
- Insulation class : F
- Voltage : 380-420v, 50Hz
- Cable length : 8m

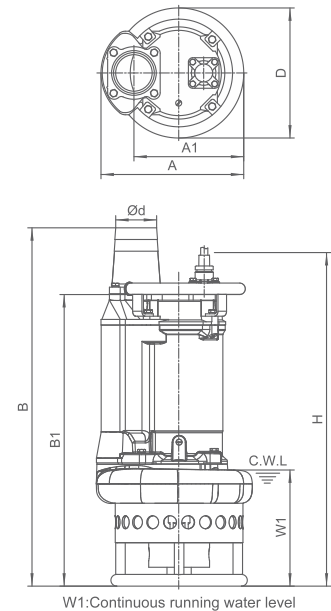
Selection chart

| Model | Power | | Voltage/ 50Hz | Starting Method | Rated speed (RPM) | Outlet (Inch) | Max. head (Mtr) | Max. Flow (m3/h) | Impeller Passage (mm) | Net weight (Kg) |
|-----------|-------|-----|------------------|--------------------|-------------------------|------------------|-----------------------|------------------------|-----------------------------|-----------------------|
| | kW | HP | | | | | | | | |
| PSSP4.0-3 | 4.0 | 5.5 | 380-420v | DOL | 1450 | 3 | 15 | 100 | 30 | 108.5 |
| PSSP7.5-4 | 5.5 | 7.5 | 380-420v | DOL | 1450 | 4 | 17 | 144 | 30 | 141 |
| PSSP11-6 | 11 | 15 | 380-420v | DOL | 1450 | 6 | 21.5 | 192 | 30 | 171 |
| PSSP15-8 | 15 | 20 | 380-420v | DOL | 1450 | 8 | 22 | 370 | 30 | 260 |
| PSSP22-8 | 22 | 30 | 380-420v | S/D | 1450 | 8 | 32 | 360 | 30 | 408 |

Pump dimensions

| Model | Dimensions in MM | | | | | | | |
|-----------|------------------|-----|-----|------|------|-----|------|-----|
| | d | A | A1 | B | B1 | D | H | W1 |
| PSSP4.0-3 | 80 | 350 | 260 | 816 | 678 | 26 | 730 | 250 |
| PSSP7.5-4 | 100 | 415 | 305 | 844 | 682 | 373 | 730 | 250 |
| PSSP11-6 | 150 | 434 | 324 | 889 | 727 | 407 | 776 | 250 |
| PSSP15-8 | 200 | 484 | 352 | 1121 | 889 | 457 | 980 | 295 |
| PSSP22-8 | 200 | 578 | 442 | 1245 | 1015 | 528 | 1200 | 330 |

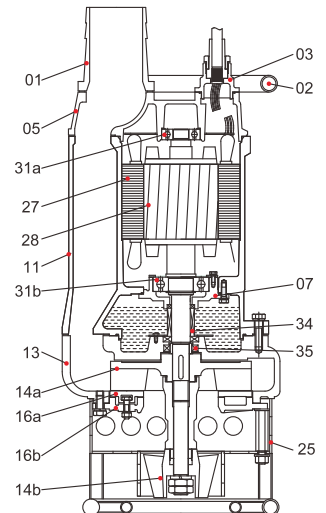
G.A Drawing



Material of Construction (MOC)

| Item no. | Part name | Material | Item no. | Part name | Material |
|----------|---------------|-------------------|----------|-----------------|--|
| 01 | Outlet | Cast iron | 25 | Strainer | Carbon Steel |
| 02 | Handle | Carbon Steel | 27 | Stator | |
| 05 | Upper cover | Cast iron | 28 | Rotor | Shaft: AISI420SS |
| 07 | Bearing house | Cast iron | 31a | Bearing | Ball bearing |
| 11 | Motor body | Cast iron | 31b | Bearing | Ball bearing |
| 13 | Pump body | Cast iron | 34 | Mechanical seal | Sic-sic/sic-sic Tc-sic/sic-sic(>15kW) |
| 14a | Impeller | High chrome alloy | | | |
| 14b | Agitator | High chrome alloy | 35 | Oil seal | |
| 16a | Inlet plate | High chrome alloy | 47 | Cable | |
| 16b | Inlet plate | Cast iron | | | |

Sectional View



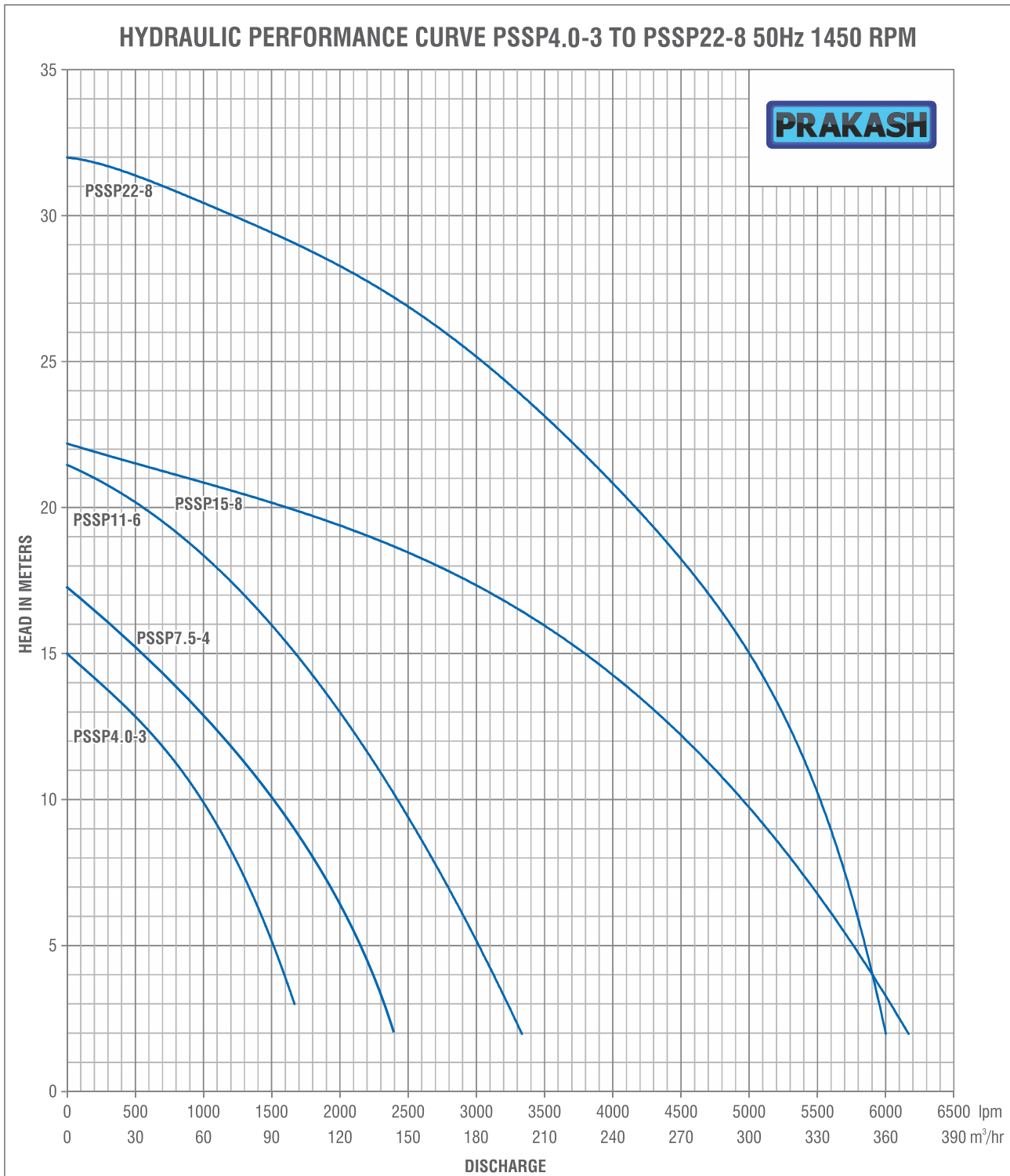
Submersible Slurry Pump



Performance chart

1450 RPM

| Model | Power | | Q | US GPM | 0 | 176 | 352 | 440 | 528 | 634 | 705 | 845 | 881 | 1057 | 1233 | 1409 | 1585 | 1629 |
|-----------|-------|-----|----------|-------------------|------|------|------|------|------|------|------|------|------|------|------|------|------|------|
| | KW | HP | | M ³ /H | 0 | 40 | 80 | 100 | 120 | 144 | 160 | 192 | 200 | 240 | 280 | 320 | 360 | 370 |
| | | | | LPM | 0 | 667 | 1334 | 1667 | 2000 | 2400 | 2667 | 3200 | 3334 | 4001 | 4668 | 5334 | 6001 | 6168 |
| PSSP4.0-3 | 4.0 | 5.5 | Head (m) | 15 | 12 | 7 | 3 | | | | | | | | | | | |
| PSSP7.5-4 | 7.5 | 10 | Head (m) | 17 | 15 | 11 | 9 | 6 | 2 | | | | | | | | | |
| PSSP11-6 | 11 | 15 | Head (m) | 21.5 | 19.5 | 17 | 15 | 13 | 10 | 8 | 2 | | | | | | | |
| PSSP15-8 | 15 | 20 | Head (m) | 22 | 21.5 | 20.5 | 20 | 19.5 | 18.5 | 18 | 17 | 16 | 14 | 12 | 8 | 3 | 2 | |
| PSSP22-8 | 22 | 30 | Head (m) | 32 | 31 | 30 | 29 | 28 | 27 | 26.5 | 25 | 24 | 20.5 | 17.5 | 12 | 2 | | |



Submersible Slurry Pump

PRAKASH

Applications

- Civil engineering
- Mines, quarries, coal ore & slurries
- Sewage treatment plants
- General pumping purposes
- Pumping fluid: sludge, liquids-containing mud and bentonite

Performance Range

- Capacity: up to 220 m³/h
- Head: up to 22 meters
- Discharge: 80mm (3") to 150 mm (6")
- Speed : 1450 RPM



Application Limits

- Liquid temperature : up to 40 °C
- Ambient temperature : up to 40 °C
- Max Operating Depth : up to 15m
- Liquid PH : 6.5 - 8.5

Motor Details

- 4 Pole motor
- 100% Copper winding
- Protection class : IP68
- Insulation class : F
- Voltage : 380-420v, 50Hz
- Cable length : 8m

Installation and use

Submersible slurry pump with 4-pole motor for increased lifetime and greater convenience.

High chrome alloy impeller combined with agitator for pumping heavy slurry.

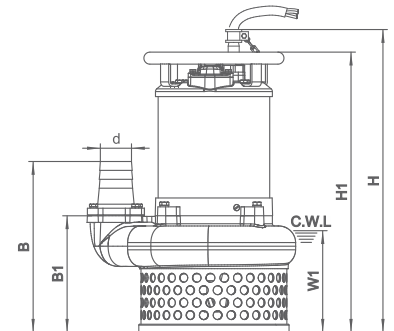
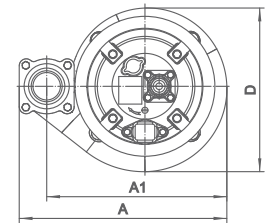
A cooling water jacket to allow the pump to operate at low water levels for extended period of time without the fear of overheating.

Selection chart

| Model | Power | | Voltage/ 50Hz | Rated speed (RPM) | Outlet (Inch) | Max. head (Mtr) | Max. Flow (m3/h) | Impeller Passage (mm) | Net weight (Kg) |
|-----------|-------|-----|------------------|-------------------------|------------------|-----------------------|------------------------|-----------------------------|-----------------------|
| | kW | HP | | | | | | | |
| PSSP2.2-3 | 2.2 | 3.0 | 380-420v | 1450 | 3 | 12 | 75 | 20 | 92 |
| PSSP4.0-3 | 4.0 | 5.5 | 380-420v | 1450 | 3 | 15 | 90 | 20 | 108 |
| PSSP4.0-4 | 4.0 | 5.5 | 380-420v | 1450 | 4 | 15 | 114 | 20 | 108 |
| PSSP5.5-4 | 5.5 | 7.5 | 380-420v | 1450 | 4 | 17.5 | 140 | 30 | 139 |
| PSSP11-6 | 11 | 15 | 380-420v | 1450 | 6 | 22 | 220 | 30 | 210 |

Pump dimensions

| Model | Dimensions in MM | | | | | | | | |
|-----------|------------------|-----|-----|-----|-----|-----|-----|-----|-----|
| | d | A | A1 | B | B1 | D | H | H1 | W1 |
| PSSP2.2-3 | 80 | 469 | 408 | 378 | 257 | 371 | 685 | 625 | 230 |
| PSSP4.0-3 | 80 | 469 | 408 | 378 | 257 | 371 | 750 | 690 | 230 |
| PSSP4.0-4 | 100 | 469 | 408 | 392 | 257 | 371 | 750 | 690 | 230 |
| PSSP5.5-4 | 100 | 494 | 433 | 397 | 262 | 386 | 795 | 735 | 225 |
| PSSP11-6 | 150 | 598 | 505 | 436 | 275 | 441 | 862 | 802 | 230 |

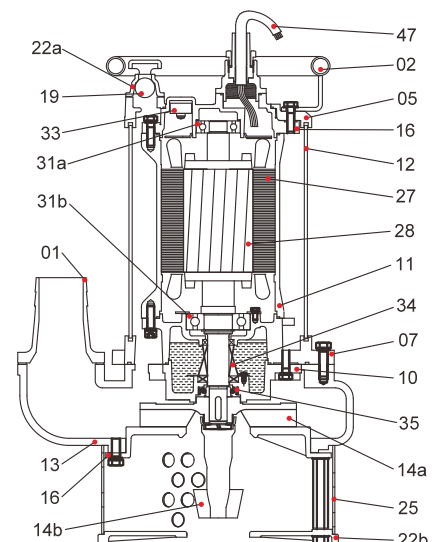


W1:Continuous running water level

Material of Construction (MOC)

| Item no. | Part name | Material | Item no. | Part name | Material |
|----------|------------------|-------------------|----------|-----------------|------------------|
| 01 | Hose coupling | Cast iron | 19 | Check valve | NBR |
| 02 | Handle | Carbon Steel | 22a | Valve seat | Cast iron |
| 05 | Upper cover | Cast iron | 22b | Seat assembly | Cast iron |
| 06 | Up-Bearing house | Cast iron | 25 | Strainer | Steel |
| 07 | Bearing house | Cast iron | 27 | Stator | |
| 10 | Seal house | Cast iron | 28 | Rotor | Shaft: AISI420SS |
| 11 | Motor body | Cast iron | 31a | Bearing | Ball bearing |
| 12 | Outer casing | Carbon Steel | 31b | Bearing | Ball bearing |
| 13 | Pump body | Cast iron | 33 | Motor protector | |
| 14a | Impeller | High chrome alloy | 34 | Mechanical seal | Sic-sic/sic-sic |
| 14b | Agitator | High chrome alloy | 35 | Oil seal | |
| 16 | Inlet plate | Ductile iron | 47 | Cable | |

Sectional View



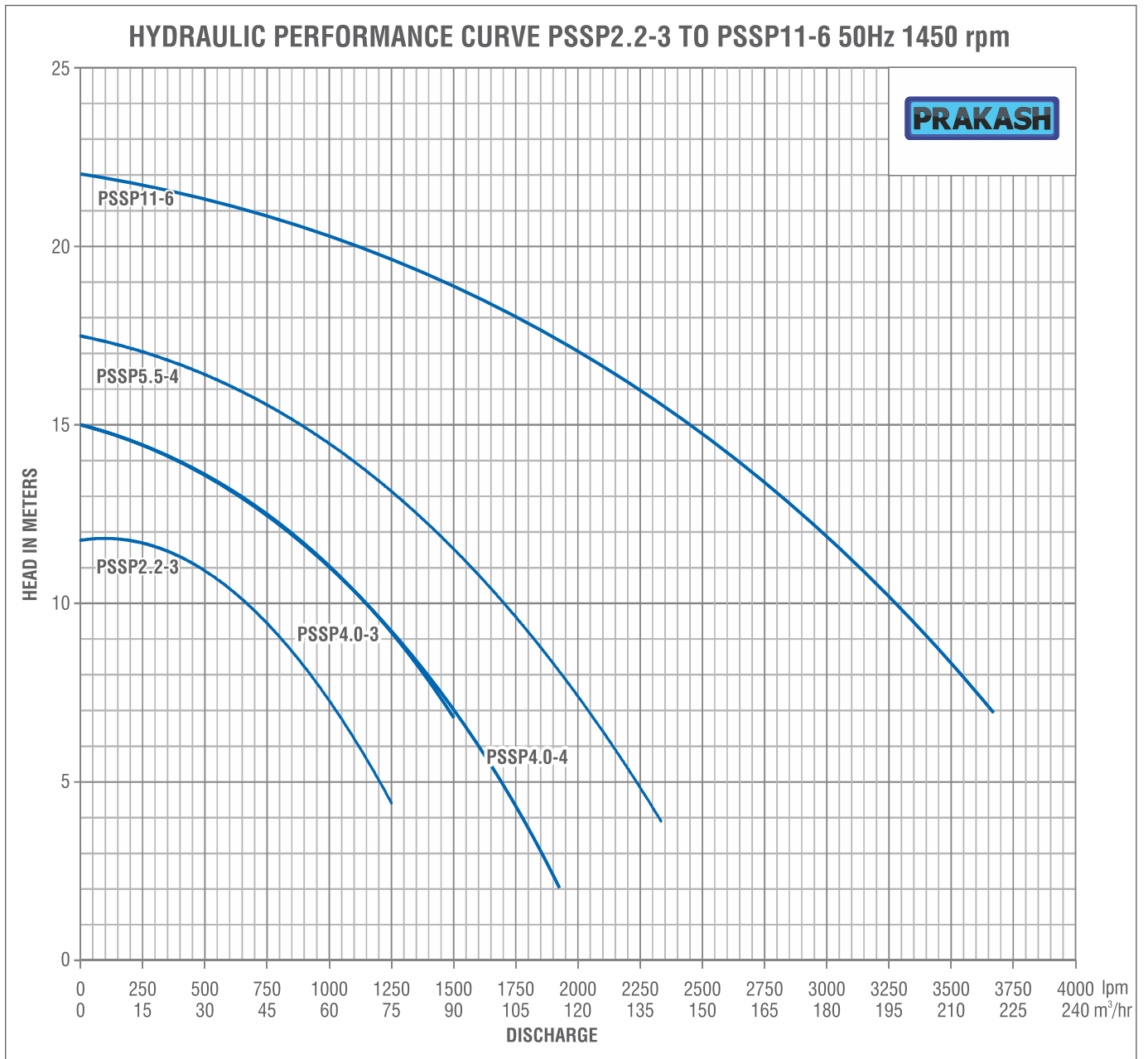
Submersible Slurry Pump



Performance chart

1450 RPM

| Model | Power | | Q | US GPM | 0 | 66 | 132 | 198 | 264 | 330 | 396 | 440 | 462 | 484 | 528 | 617 | 661 | 793 | 969 |
|-----------|-------|-----|----------|-------------------|------|------|------|------|------|------|------|-------|------|------|------|------|------|------|------|
| | KW | HP | | M ³ /H | 0 | 15 | 30 | 45 | 60 | 75 | 90 | 100 | 105 | 110 | 120 | 140 | 150 | 180 | 220 |
| | | | | LPM | 0 | 250 | 500 | 750 | 1000 | 1250 | 1500 | 1667 | 1750 | 1834 | 2000 | 2334 | 2501 | 3001 | 3667 |
| PSSP2.2-3 | 2.2 | 3.0 | Head (m) | 12 | 11.5 | 10.5 | 9.5 | 8 | 4 | | | | | | | | | | |
| PSSP4.0-3 | 4.0 | 5.5 | Head (m) | 15 | 14.5 | 14 | 12.5 | 11 | 9.5 | 7 | | | | | | | | | |
| PSSP4.0-4 | 4.0 | 5.5 | Head (m) | 15 | 14.5 | 14 | 12.5 | 11 | 9.5 | 7 | 6 | 4 | 3 | | | | | | |
| PSSP5.5-4 | 5.5 | 7.5 | Head (m) | 17.5 | 17 | 16.5 | 15.5 | 14.5 | 13 | 11.5 | 10.5 | 10 | 9 | 7 | 4 | | | | |
| PSSP11-6 | 11 | 15 | Head (m) | 22 | 21.5 | 21 | 20.5 | 20 | 19 | 18.5 | 18 | 17.75 | 17.5 | 17 | 16 | 15.5 | 13.5 | 5.5 | |



PRAKASH

Office in India

PRAKASH PUMP

Survey No. 479, Opp. Supreme Estate-1, Zak Kadadara Road, Vill. - Kadadara,
Tal. Dahegam, Gandhinagar, Gujarat 382305 INDIA E-mail: sale@prakashpump.com

Distributor Office for Middle East

PRAKASH PUMP EST

P.O. Box: 20973 Industrial Area Al Ain (United Arab Emirates)
Tel.: +971 3 7222733 Mob.: +971 50 6731283 E-mail: sale@prakashpump.com

Distributor Office for Oman

GLOBAL EQUIPMENT MATERIAL CO. LLC

P.O. Box. 227, Postal Code: 320 Nakhal Road, Barka (Sultanate of Oman)
Tel.: +968 26883982 Mob.: +968 94584686 E-mail: oman@prakashpump.com

Distributor Office for Saudi Arabia

PRAKASH PUMP INDUSTRY

P.O. Box 14327, Bldg. 3616, Al Marwah 6447, Al Mishael Riyadh City, (Kingdoms of Saudi Arabia)
Sulay Exit 18. Mobile: +966 539811109 Email: saudi@prakashpump.com

Factory Address

PANJI ENGINEERING PVT LTD

Survey No. 479, Opp. Supreme Estate-1, Zak Kadadara Road, Vill. - Kadadara,
Tal. Dahegam, Gandhinagar, Gujarat 382305 INDIA E-mail: sale@prakashpump.com



To get
Quotation by email



PRAKASHPUMPEST

These images given are only for illustration purpose
for further details contact the sales team at
sale@prakashpump.com / oman@prakashpump.com
/ saudi@prakashpump.com



To get
Website

