



Quality, Reliability, Life

# 8" Openwell Submersible Pump



[www.prakashpump.com](http://www.prakashpump.com)

# 8" Openwell Submersible Pump



## Applications

- For mining, building, factory and industrial applications.
- For water supply from wells, tanks or reservoirs.
- For garden use and agricultural irrigation.

## Application Limits

- Liquid temperature : up to 40 °C
- Ambient temperature : up to 40 °C
- Minimum diameter of well :  $\varnothing 200$  mm
- Maximum Operating depth : up to 20 m
- Liquid PH : 6-8

## Performance Range

- Capacity: up to 44 m<sup>3</sup>/hr
- Head: up to 104 meter
- Speed : 2900 RPM

## Motor details

- 2 Pole motor
- 100% Copper winding
- Protection class : IP68
- Insulation class : F
- Voltage : 380-420v, 50Hz

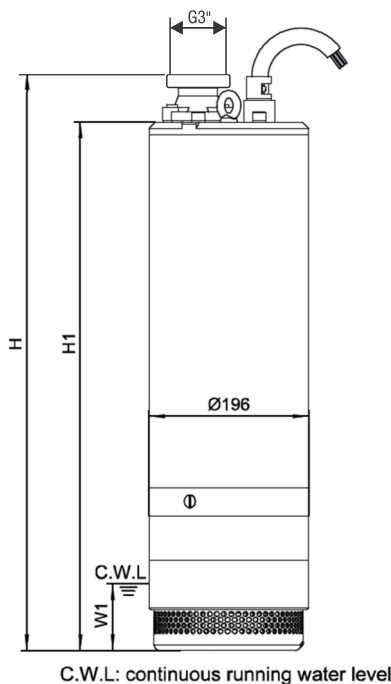
## Feature and Benefits

- Hydraulic part under the motor and motor cooled by the pumped water for safe operation also with the pump only partially immersed.
- Electric motor cooled by pumped liquid for long life.

## Pump selection chart

Model	Power		Voltage/ 50Hz	Rated Speed (RPM)	Outlet	Max. flow (m <sup>3</sup> /h)	Max. head (m)	Net weight (Kg)
	Kw	HP						
PQXNSP-5.5	4.0	5.5	380-420v	2900	G3" (80mm)	28	73	74.3
PQXNSP-7.5	5.5	7.5	380-420v	2900	G3" (80mm)	28	94	88.3
PQXNSP-10	7.5	10	380-420v	2900	G3" (80mm)	33	101	96.2
PQXNSP-15	11	15	380-420v	2900	G3" (80mm)	44	104	107

## G.A Drawing



## Dimension (mm)

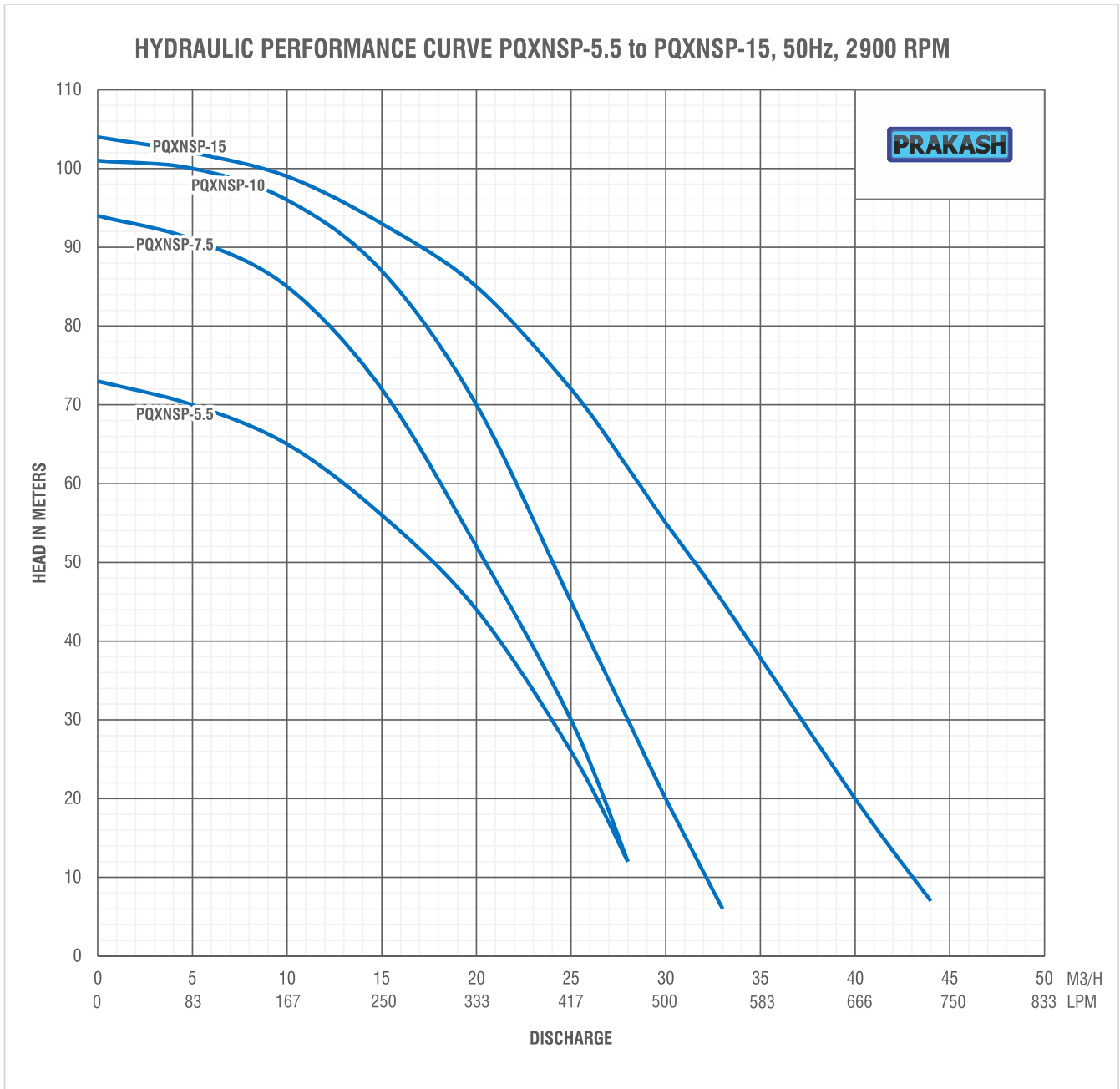
Model	H	H1	W1	Outlet (inch)
PQXNSP-5.5	766	680	80	G3"
PQXNSP-7.5	862	771	80	G3"
PQXNSP-10	925	840	80	G3"
PQXNSP-15	997	910	80	G3"

# 8" Openwell Submersible Pump



## Performance Table

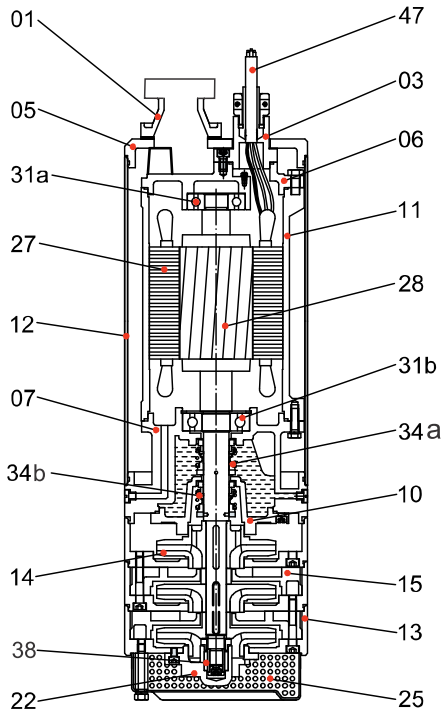
Model	Power		Q	US	0	22	44	66	88	110	123	132	145	176	194
	Kw	HP		GPM	0	5	10	15	20	25	28	30	33	40	44
				M3/H	0	83	167	250	333	417	467	500	550	666	733
PQXNSP-5.5	4.0	5.5	Head (m)	73	70	65	56	44	26	12					
PQXNSP-7.5	5.5	7.5	Head (m)	94	91	85	72	52	30	12					
PQXNSP-10	7.5	10	Head (m)	101	100	96	87	70	45	30	20	6			
PQXNSP-15	11	15	Head (m)	104	102	99	93	85	72	62	55	45	20	7	



# 8" Openwell Submersible Pump



## Sectional View



## Material of Construction (MOC)

Item no	Part name	Material
01	Outlet	Cast iron
03	Terminal box	Cast iron
05	Upper cover	Cast iron
06	Up-Bearing house	Cast iron
07	Bearing house	Cast iron
10	Seal bracket	Cast iron
11	Motor body	Cast iron
12	Outer casing	Stainless Steel
13	Pump casing	Cast iron
14	Impeller	Cast iron
15	Diffuser	Cast iron
22	Seat assembly	Cast iron
25	Strainer	Steel
27	Stator	
28	Rotor	Shaft: SS
31a	Bearing	Ball bearing
31b	Bearing	Ball bearing
34a	Mechanical seal	Sic-sic
34b	Mechanical seal	Sic-sic
38	Shaft sleeve	NBR & steel
47	Cable	Copper/PVC

# PRAKASH

Office in India

## PRAKASH PUMP

Survey No. 479, Opp. Supreme Estate-1, Zak Kadadara Road, Vill. - Kadadara,  
Tal. Dahegam, Gandhinagar, Gujarat 382305 INDIA E-mail: [sale@prakashpump.com](mailto:sale@prakashpump.com)

Distributor Office for Middle East

## PRAKASH PUMP EST

P.O. Box: 20973 Industrial Area Al Ain (United Arab Emirates)  
Tel.: +971 3 7222733 Mob.: +971 50 6731283 E-mail: [sale@prakashpump.com](mailto:sale@prakashpump.com)

Distributor Office for Oman

## GLOBAL EQUIPMENT MATERIAL CO. LLC

P.O. Box. 227, Postal Code: 320 Nakhal Road, Barka (Sultanate of Oman)  
Tel.: +968 26883982 Mob.: +968 94584686 E-mail: [oman@prakashpump.com](mailto:oman@prakashpump.com)

Distributor Office for Saudi Arabia

## PRAKASH PUMP INDUSTRY

P.O. Box 14327, Bldg. 3616, Al Marwah 6447, Al Mishael Riyadh City, (Kingdoms of Saudi Arabia)  
Sulay Exit 18. Mobile: +966 539811109 Email: [saudi@prakashpump.com](mailto:saudi@prakashpump.com)

Factory Address

## PANJI ENGINEERING PVT LTD

Survey No. 479, Opp. Supreme Estate-1, Zak Kadadara Road, Vill. - Kadadara,  
Tal. Dahegam, Gandhinagar, Gujarat 382305 INDIA E-mail: [sale@prakashpump.com](mailto:sale@prakashpump.com)



To get  
Quotation by email



## PRAKASHPUMPEST

These images given are only for illustration purpose  
for further details contact the sales team at  
[sale@prakashpump.com](mailto:sale@prakashpump.com) / [oman@prakashpump.com](mailto:oman@prakashpump.com)  
/ [saudi@prakashpump.com](mailto:saudi@prakashpump.com)



To get  
Website

