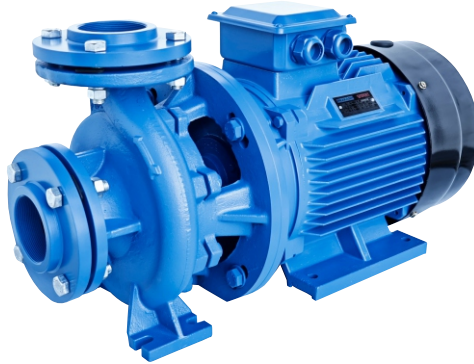


PRAKASH

Quality, Reliability, Life

Solo Industrial Pump (PSPP-15) 60Hz

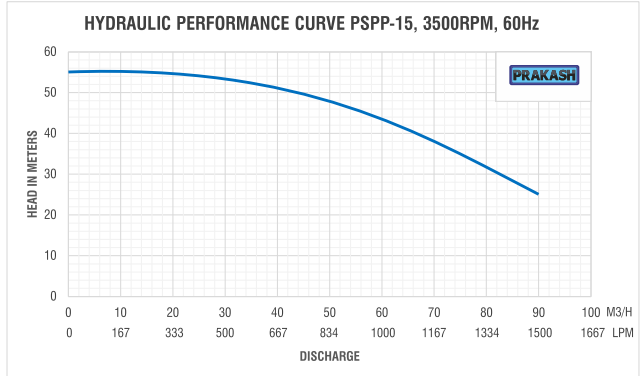


www.prakashpump.com

Solo Industrial Pump 60Hz



Model : PSPP-15



Application

- Civil agricultural, Industries, & General plant use
- Hot & cold water circulation
- Residential & commercial chiller plant
- Spray or flowing irrigation
- Autoclave feed
- High pressure equipment system supporting

Material of Construction (MOC)

- Pump body : Cast iron
- Bracket : Cast iron
- Impeller : Stainless steel 304
- Shaft : Stainless steel 304
- Mechanical seal : Sic/Ceramic/NBR

Application Limits

- Liquid temperature : up to 105°C
- Ambient temperature : up to 40°C
- Max. suction : up to 8 m
- Max. operating pressure : 10 bar
- Liquid PH : 6-8
- Altitude : < 1000m

Motor Details

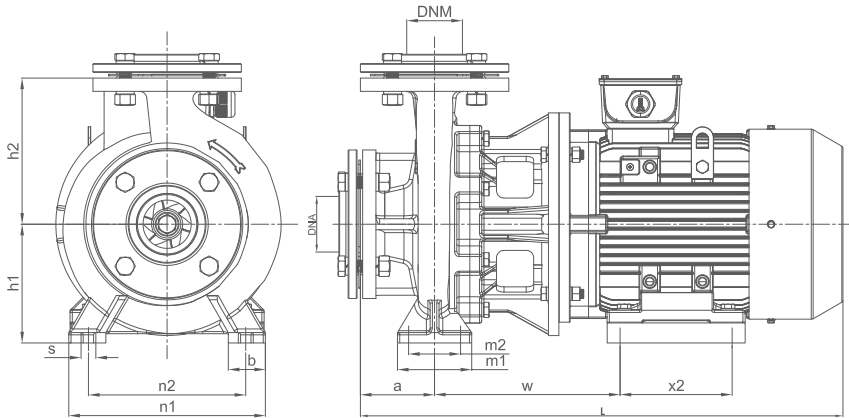
- 2 Pole induction motor (TEFC)
- 100% Copper winding
- Protection class : IPX4 / IP54
- Insulation class : F
- Voltage : 380-420v, 60Hz

Pump Selection Chart

Model	Power		Volt (60Hz)	Phase	Rated Speed (RPM)	Inlet / Outlet	Max. Flow (m3/h)	Max. Head (Mtr)	Max. Suction (Mtr)
	Kw	HP							
PSPP-15	11	15	380-420	3 φ	3500	3"x 3"	90	55	8

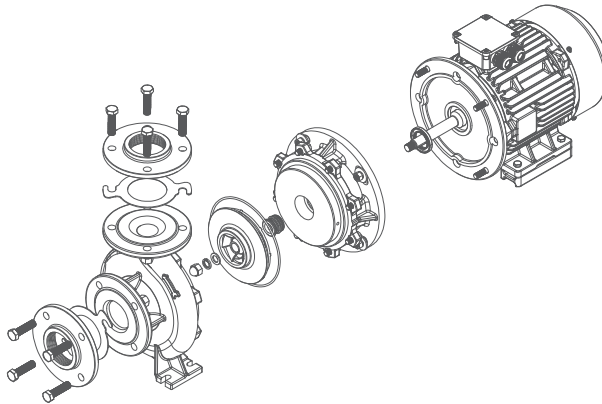
Performance Chart

Model	Power		Q	US GPM	0	40	90	119	159	211	317	396
	Kw	HP		M3/H	0	9	21	27	36	48	72	90
				LPM	0	150	350	450	600	800	1200	1500
PSPP-15	11	15	HEAD (m)	55	54.5	54.5	53.5	52	48	36	24	



Model	Ports		Dimensions In MM											
	DNA	DNM	L	a	m1	m2	n1	n2	h1	h2	S	b	W	x2
PSPP-15	3"	3"	711	100	100	70	265	212	160	200	14	50	314	210

Exploded View PSPP-15



Material of the Components in Contact with the Liquid

Material	Components				
	Pump Body (Volute Chamber)	Impeller	Mechanical Seal	O'Ring	Pump Bracket
Standard	 Cast Iron	 Stainless Steel 304	 Mg1-SiC Standard Mechanical Seal		
Special Requirement	Stainless Steel +304/316	Stainless Steel 316	Mg1-SiC/TC Viton Mechanical Seal	High Nitrile Rubber	Combine Cast Iron

PRAKASH

Office in India

PRAKASH PUMP

Survey No. 479, Opp. Supreme Estate-1, Zak Kadadara Road, Vill. - Kadadara,
Tal. Dahegam, Gandhinagar, Gujarat 382305 INDIA E-mail: sale@prakashpump.com

Distributor Office for Middle East

PRAKASH PUMP EST

P.O. Box: 20973 Industrial Area Al Ain (United Arab Emirates)
Tel.: +971 3 7222733 Mob.: +971 50 6731283 E-mail: sale@prakashpump.com

Distributor Office for Oman

GLOBAL EQUIPMENT MATERIAL CO. LLC

P.O. Box. 227, Postal Code: 320 Nakhla Road, Barka (Sultanate of Oman)
Tel.: +968 26883982 Mob.: +968 94584686 E-mail: oman@prakashpump.com

Distributor Office for Saudi Arabia

PRAKASH PUMP INDUSTRY

P.O. Box 14327, Bldg. 3616, Al Marwah 6447, Al Mishael Riyadh City, (Kingdoms of Saudi Arabia)
Sulay Exit 18. Mobile: +966 539811109 Email: saudi@prakashpump.com

Factory Address

PANJI ENGINEERING PVT LTD

Survey No. 479, Opp. Supreme Estate-1, Zak Kadadara Road, Vill. - Kadadara,
Tal. Dahegam, Gandhinagar, Gujarat 382305 INDIA E-mail: sale@prakashpump.com



To get
Quotation by email



PRAKASHPUMPEST

These images given are only for illustration purpose
for further details contact the sales team at
sale@prakashpump.com / oman@prakashpump.com
/ saudi@prakashpump.com



To get
Website

