

PRAKASH

Quality, Reliability, Life

Submersible Dewatering Pump



www.prakashpump.com

Application

- Civil engineering
- Mines, quarries, coal ore and slurries
- Sewage treatment plants
- General pumping purposes

Application limits

- Liquid temperature : Up to 45°C
- Ambient temperature : Up to 45°C
- Maximum operating depth : up to 15m
- Liquid PH : 4 to 10

Performance Range

- Capacity: up to 30 m3/h
- Head: up to 21 meters
- Speed: 2900 RPM
- Power: 1.5 kw

Motor details

- Power supply: single phase 220-240Vac, 50Hz
- Insulation class: F
- Motor protection: built-in
- Protection class: IPX8
- Connection cable length: 15 meters
- With float switch

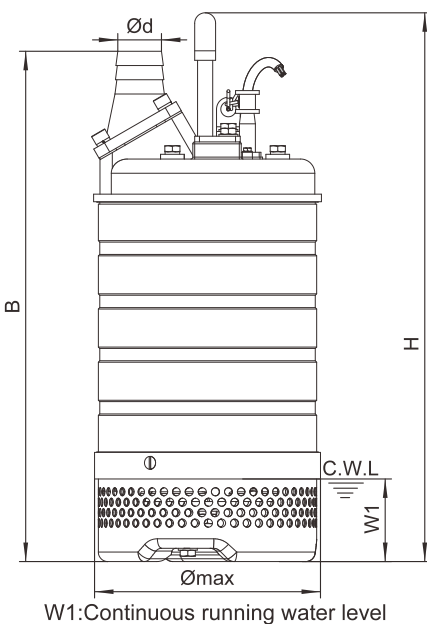
Installation and use

Compact design, high performance and exceptional durability for handling abrasive liquid, widely used in general construction and civil engineering. The body of motor and pump is made of rigid cast iron or stainless steel for long-lasting durability. Greatly increased maximum submersion depth due to mechanical seal resistance to high pressure. Semi-open impeller made of high chrome alloy match with wear plate (ductile iron) achieves superior durability. Effective motor cooling due to discharge channel cast iron as part of the motor housing. Hermetically sealed motor equipped build-in thermal protection. The protector in the motor can automatically cut off the power when it overheats or over current.

Pump Selection Chart

Model	Power		Voltage/ 50Hz	Speed (RPM)	Outlet (mm)	Max. Flow (m3/h)	Max. Head (Mtr)	Impeller Passage (mm)	Net weight (Kg)
	Kw	HP							
PKSM2-1.5F	1.5	2.0	220- 240V	2900	50	30	21	8.5	37

G.A Drawing



Pump Dimension

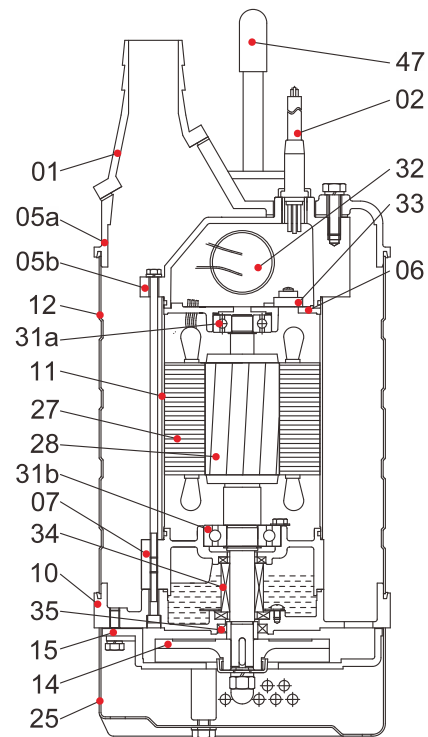
Model	Ød	H	B	Ømax	W1
PKSM2-1.5F	50	582	560	240	87

Material of Construction (MOC)

Item No.	Name of parts	Material
01#	Hose coupling	Cast iron
02#	Handle	Rubber & steel
05a#	Upper cover	Cast iron
05b#	Upper cover	Cast iron
06	Up-bearing house	Cast iron
07#	Bearing house	Cast iron
10#	Seal bracket	Cast iron
11	Motor casing	Stainless steel
12	Outer body	SS304
14#	Impeller	High chrome alloy
15#	Diffuser	Ductile iron
25#	Stainer	Steel
27	Stator	-
28	Rotor	Shaft: SS420
31a	Bearing	Ball bearing
31b	Bearing	Ball bearing
32	Capacitor	-
33	Motor protector	-
34	Mechanical seal	Sic-sic/carbon-sic
35	Oil seal	-
47	Cable	PVC/Copper

Available on request SS304

Sectional view

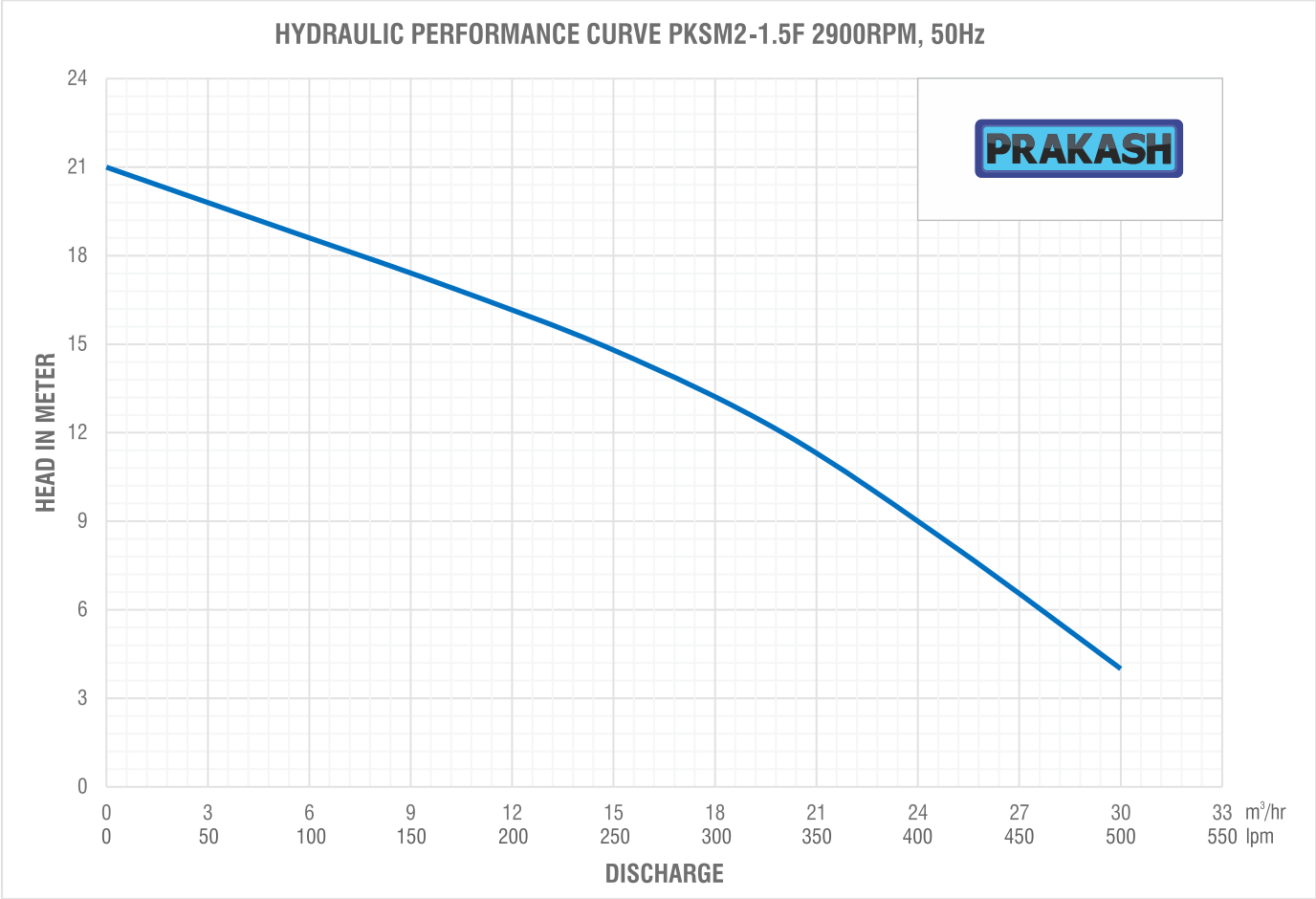


Pump Performance Chart

Model	Power		Q	US GPM	0	22	44	66	88	110	132
	Kw	HP		M ³ /H	0	5	10	15	20	25	30
				LPM	0	83	167	250	333	416	500
PKSM2-1.5F	1.5	2.0	Head (m)	21	19	17	15	12	8	4	



Pump Performance Curve





Office in India

PRAKASH PUMP

Survey No. 479, Opp. Supreme Estate-1, Zak Kadadara Road, Vill. - Kadadara,
Tal. Dahegam, Gandhinagar, Gujarat 382305 INDIA E-mail: sale@prakashpump.com

Distributor Office for Middle East

PRAKASH PUMP EST

P.O. Box: 20973 Industrial Area Al Ain (United Arab Emirates)
Tel.: +971 3 7222733 Mob.: +971 50 6731283 E-mail: sale@prakashpump.com

Distributor Office for Oman

GLOBAL EQUIPMENT MATERIAL CO. LLC

P.O. Box. 227, Postal Code: 320 Nakhal Road, Barka (Sultanate of Oman)
Tel.: +968 26883982 Mob.: +968 94584686 E-mail: oman@prakashpump.com

Distributor Office for Saudi Arabia

PRAKASH PUMP INDUSTRY

P.O. Box 14327, Bldg. 3616, Al Marwah 6447, Al Mishael Riyadh City, (Kingdoms of Saudi Arabia)
Sulay Exit 18. Mobile: +966 539811109 Email: saudi@prakashpump.com

Factory Address

PANJI ENGINEERING PVT LTD

Survey No. 479, Opp. Supreme Estate-1, Zak Kadadara Road, Vill. - Kadadara,
Tal. Dahegam, Gandhinagar, Gujarat 382305 INDIA E-mail: sale@prakashpump.com



To get
Quotation by email



PRAKASHPUMPEST

These images given are only for illustration purpose
for further details contact the sales team at
sale@prakashpump.com / oman@prakashpump.com
/ saudi@prakashpump.com



To get
Website

