



Quality, Reliability, Life

6" Openwell Submersible Pump



www.prakashpump.com

6" Openwell Submersible Pump



Applications

- For water supply from wells, tanks or reservoirs.
- For domestic use, for industrial applications.
- For garden use and irrigation. Utilization of rain water.

Application Limits

- Liquid temperature : up to 40 °C
- Ambient temperature : up to 40 °C
- Minimum diameter of well : Ø155 mm
- Maximum Operating depth : up to 20 m
- With extra suction cover for more safety
- Liquid PH : 6-8

Performance Range

- Capacity : up to 21m³/hr
- Head : up to 49 meter
- Speed : 2900 RPM

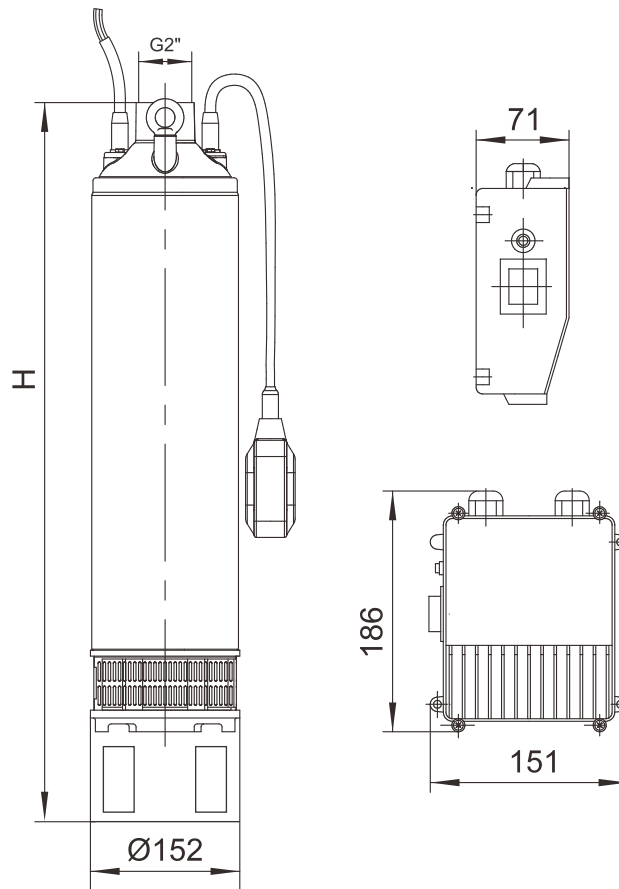
Motor details

- 2 Pole motor
- 100% Copper winding
- Protection class : IPX8 / IP68
- Insulation class : F
- Voltage : 220-240v, 50Hz
- Float switch : built-in
- Control box capacitor & thermal device

Feature and Benefits

- Close coupled multi-stage submersible pumps in chrome-nickel stainless steel.
- Hydraulic part under the motor and motor cooled by the pumped water for safe operation also with the pump only partially immersed. Double shaft seal with interposed oil chamber. The suction strainer prevents the entrance of solids with diameter bigger than:2mm

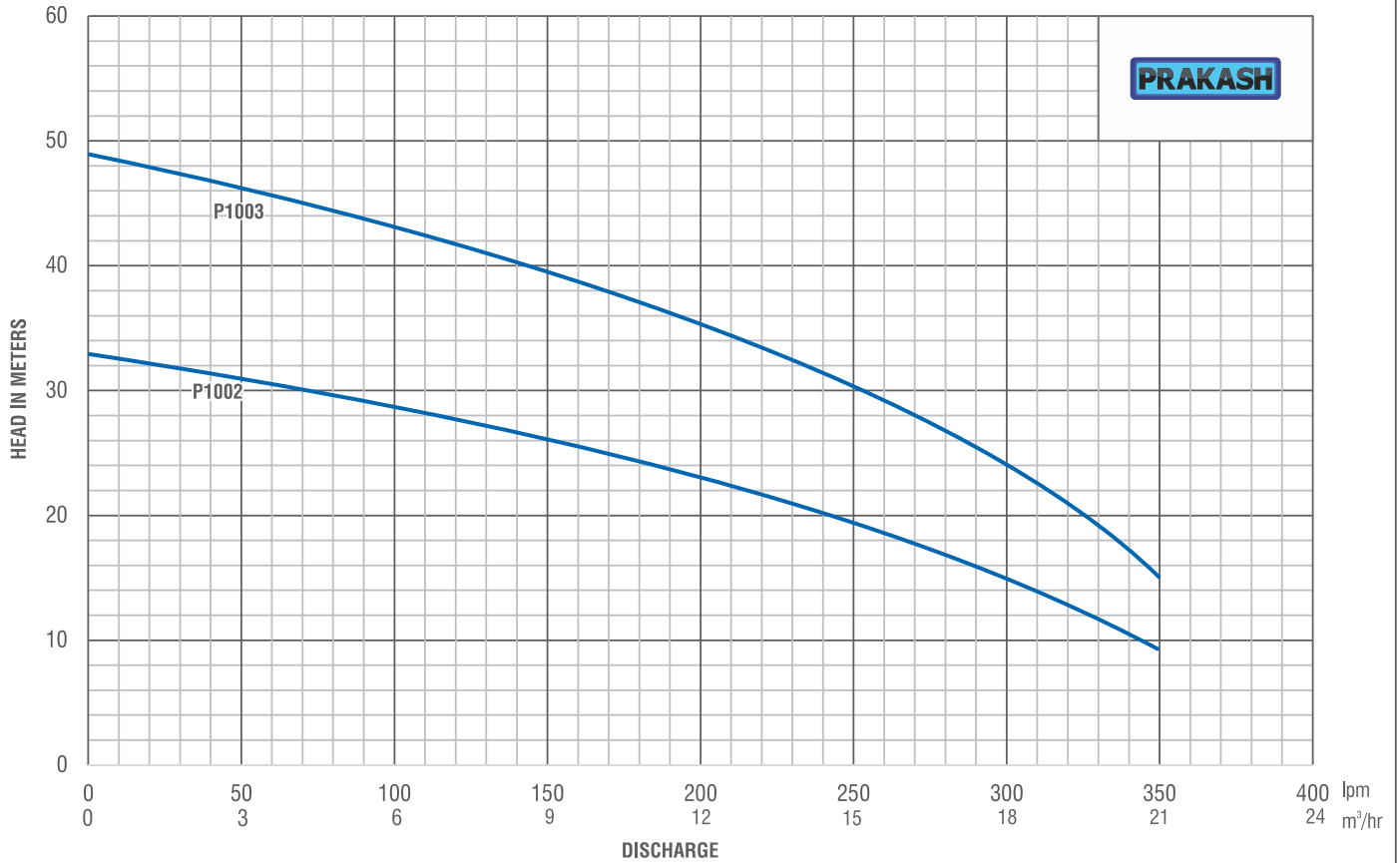
G.A Drawing



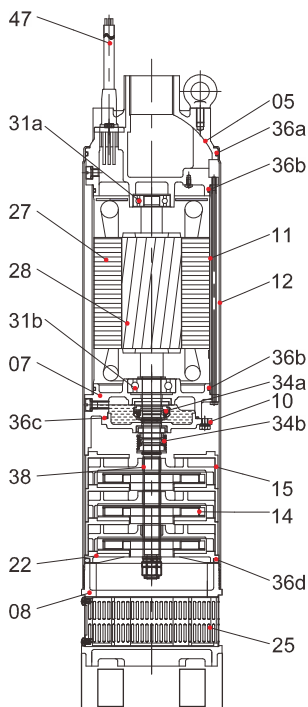
Performance Chart

Model	Voltage	Power		Net Weight (Kg)	Height (mm)	Cable (mtr)										
		KW	HP				US GPM	0	13	26	40	44	53	66	79	92
							M ³ /H	0	3	6	9	10	12	15	18	21
P1002	220v	1.5	2.0	35	688	30	LPM	0	50	100	150	167	200	250	300	350
P1003	220v	2.2	3.0	40.4	750	40	Head (m)	33	31	29	26	25	23	20	15	9
							Head (m)	49	46	43	39	38	35	30	24	15

HYDRAULIC PERFORMANCE CURVE P1002-P1003, 50Hz, 2900 rpm



Sectional View



Material of Construction (MOC)

Item No.	Part Name	Material
05	Upper cover	Cast-iron
07	Bearing house	Cast-iron
08	Base plate	Cast-iron
10	Seal bracket	Cast-iron
11	Motor casing	Stainless steel
12	Outer casing	Stainless steel
14	Impeller	AISI304SS
15	Diffuser	PPO
22	Seat assembly	PPO
25	Strainer	AISI304SS
27	Stator	
28	Rotor	
31a,b	Bearing	
34a	mechanical seal	Carbon-Ceramics
34b	mechanical seal	Sic-Sic
36a,b,c,d	O'ring	NBR
38	Shaft Sleeve	AISI304SS
47	Cable	H07RN-F

PRAKASH

Office in India

PRAKASH PUMP

Survey No. 479, Opp. Supreme Estate-1, Zak Kadadara Road, Vill. - Kadadara,
Tal. Dahegam, Gandhinagar, Gujarat 382305 INDIA E-mail: sale@prakashpump.com

Distributor Office for Middle East

PRAKASH PUMP EST

P.O. Box: 20973 Industrial Area Al Ain (United Arab Emirates)
Tel.: +971 3 7222733 Mob.: +971 50 6731283 E-mail: sale@prakashpump.com

Distributor Office for Oman

GLOBAL EQUIPMENT MATERIAL CO. LLC

P.O. Box. 227, Postal Code: 320 Nakhal Road, Barka (Sultanate of Oman)
Tel.: +968 26883982 Mob.: +968 94584686 E-mail: oman@prakashpump.com

Distributor Office for Saudi Arabia

PRAKASH PUMP INDUSTRY

P.O. Box 14327, Bldg. 3616, Al Marwah 6447, Al Mishael Riyadh City, (Kingdoms of Saudi Arabia)
Sulay Exit 18. Mobile: +966 539811109 Email: saudi@prakashpump.com

Factory Address

PANJI ENGINEERING PVT LTD

Survey No. 479, Opp. Supreme Estate-1, Zak Kadadara Road, Vill. - Kadadara,
Tal. Dahegam, Gandhinagar, Gujarat 382305 INDIA E-mail: sale@prakashpump.com



To get
Quotation by email



PRAKASHPUMPEST

These images given are only for illustration purpose
for further details contact the sales team at
sale@prakashpump.com / oman@prakashpump.com
/ saudi@prakashpump.com



To get
Website

