

PRAKASH

Quality, Reliability, Life

Submersible Dewatering Pump



Submersible Dewatering Pump

PRAKASH

Applications

- Civil Engineering
- Mines, quarries, coal ore and slurries
- Sewage Treatment plants
- General pumping purposes

Application Limits

- Liquid temperature : Up to 45°C
- Ambient temperature : Up to 45°C
- Maximum operating depth : up to 40m
- Liquid PH : 6.5 to 8.5

Installation and use

- Compact design, high performance and exceptional durability for handling abrasive liquid, widely used in general construction and civil engineering.
- The body of motor and pump is made of rigid cast iron or stainless steel for long-lasting durability.
- Greatly increased maximum submersion depth due to mechanical seal resistance to high pressure (0.5Mpa)
- Semi-open impeller made of high SS304 with wear plate (SS304) achieves superior durability.
- Effective motor cooling due to discharge channel cast iron as part of the motor housing. Space economy by a top outlet.
- Hermetically sealed motor equip build-in thermal protection. The protector in the motor can automatically cut off the power when it overheats or over current.

Performance Range

- Flow : Up to 156 m³/ hr
- Head : up to 56m
- Speed : 2900 RPM

Motor Details

- 2 Pole motor
- 100% Copper winding
- Protection class : IPX8 / IP68
- Insulation class : F
- Voltage : 380-420v, 50Hz
- Cable length : 8m

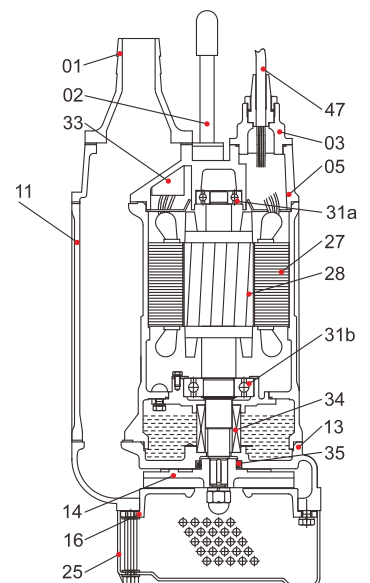
Selection chart

Model	Power		Voltage/ 50Hz	Rated speed (RPM)	Outlet (Inch)	Max. Head (m)	Max. Flow (m3/h)	Impeller Passage (mm)	Net weight (Kg)
	kW	HP							
PDP1.5-2	1.5	2.0	380-420v	2900	2	22	30	8.5	36
PDP2.2-2	2.2	3.0	380-420v	2900	2	26	30	8.5	39
PDP4.0-2	4.0	5.5	380-420v	2900	2	34	30	8.5	63
PDP1.5-3	1.5	2.0	380-420v	2900	3	15	40	8.5	36
PDP2.2-3	2.2	3.0	380-420v	2900	3	19	55	8.5	39
PDP4.0-3	4.0	5.5	380-420v	2900	3	29	55	8.5	63
PDP5.5-3	5.5	7.5	380-420v	2900	3	34	75	8.5	77
PDP4.0-4	4.0	5.5	380-420v	2900	4	18	90	8.5	63
PDP5.5-4	5.5	7.5	380-420v	2900	4	23	105	8.5	77
PDP7.5-4	7.5	10	380-420v	2900	4	40	84	11.5	106
PDP11-4	11	15	380-420v	2900	4	48.5	84	11.5	136
PDP15-4	15	20	380-420v	2900	4	56	84	11.5	144
PDP7.5-6	7.5	10	380-420v	2900	6	31	125	19.5	108
PDP11-6	11	15	380-420v	2900	6	32	147	19.5	139
PDP15-6	15	20	380-420v	2900	6	40	156	19.5	146

Material of Construction (MOC)

Item no.	Part name	Material	Item no.	Part name	Material
01	Outlet	Cast iron	28	Rotor	Shaft: AISI420SS
03	Handle	Steel & rubber	31a	Bearing	Ball bearing
05	Upper cover	Cast iron	31b	Bearing	Ball bearing
11	Motor body	Cast iron	33	Motor protector	
13	Pump Body	Cast iron	34	Mechanical seal	Sic-sic/Carbon-sic (<2.2kW)
14	Impeller	SS304			Sic-sic/sic-sic (>4.0kW)
15	Diffuser plate	SS304	35	Oil seal	
25	Strainer	Carbon Steel	47	Cable	
27	Stator				

Sectional View

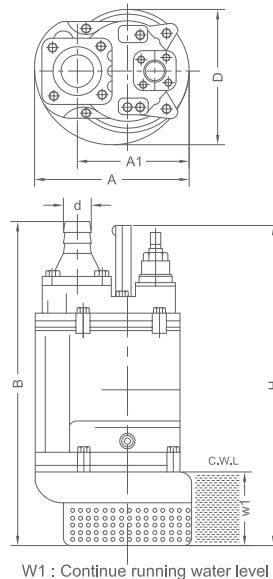


Submersible Dewatering Pump



Pump Dimensions

Model	Dimensions in mm						
	d	A	A1	B	D	H	W1
PDP1.5-2	50	235	173	517	216	486	120
PDP2.2-2	50	235	173	517	216	486	120
PDP4.0-2	50	283	208	628	252	638	150
PDP1.5-3	80	235	173	517	216	486	120
PDP2.2-3	80	235	173	517	216	486	120
PDP4.0-3	80	283	208	628	525	638	150
PDP5.5-3	80	306	218	671	259	598	150
PDP4.0-4	100	283	208	642	252	638	150
PDP5.5-4	100	306	218	686	259	598	150
PDP7.5-4	100	330	240	764	314	676	190
PDP11-4	100	373	255	807	350	695	190
PDP15-4	100	373	255	842	350	755	190
PDP7.5-6	150	330	240	790	314	676	190
PDP11-6	150	373	255	807	350	695	190
PDP15-6	150	373	255	842	350	755	190

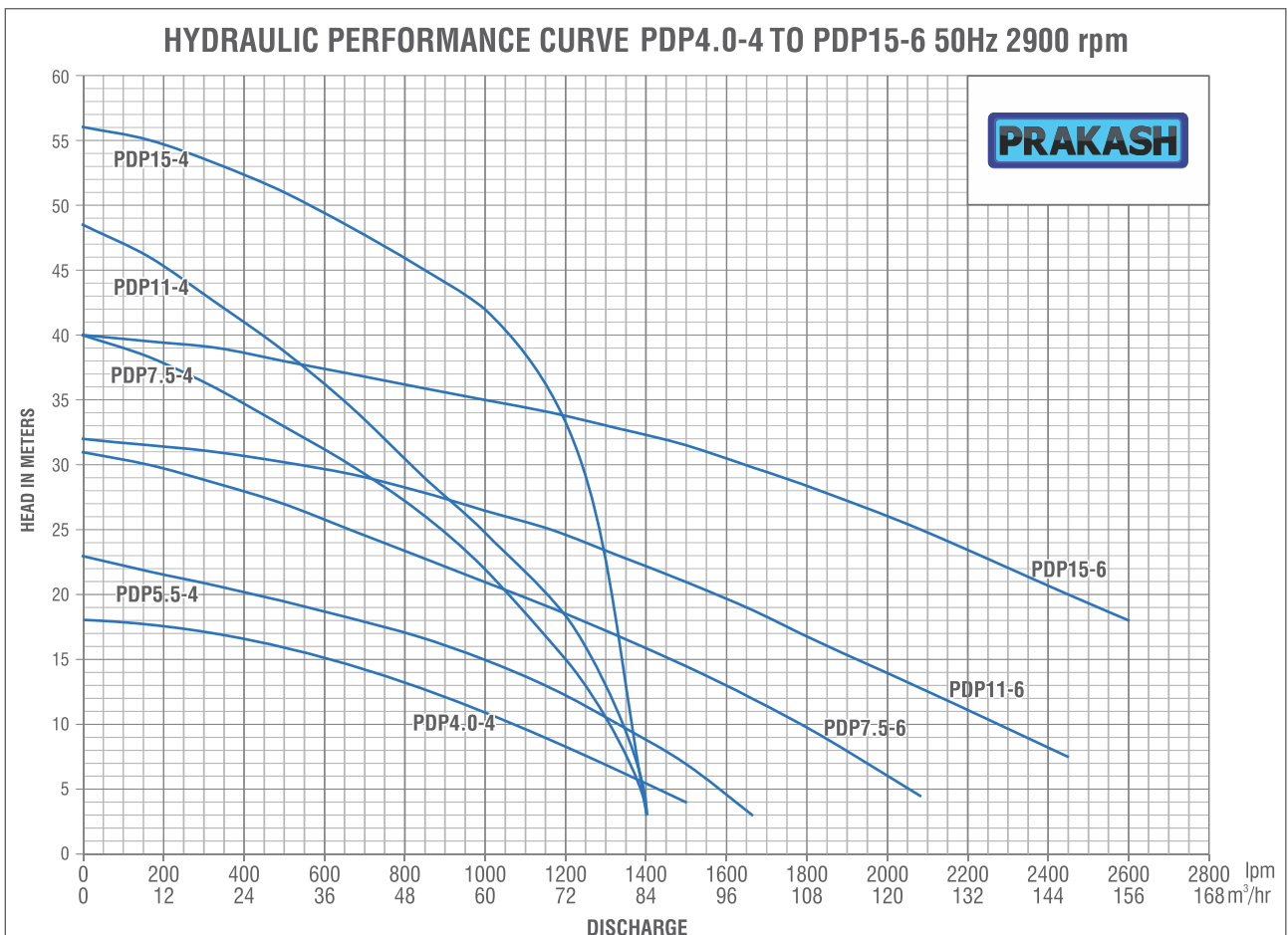
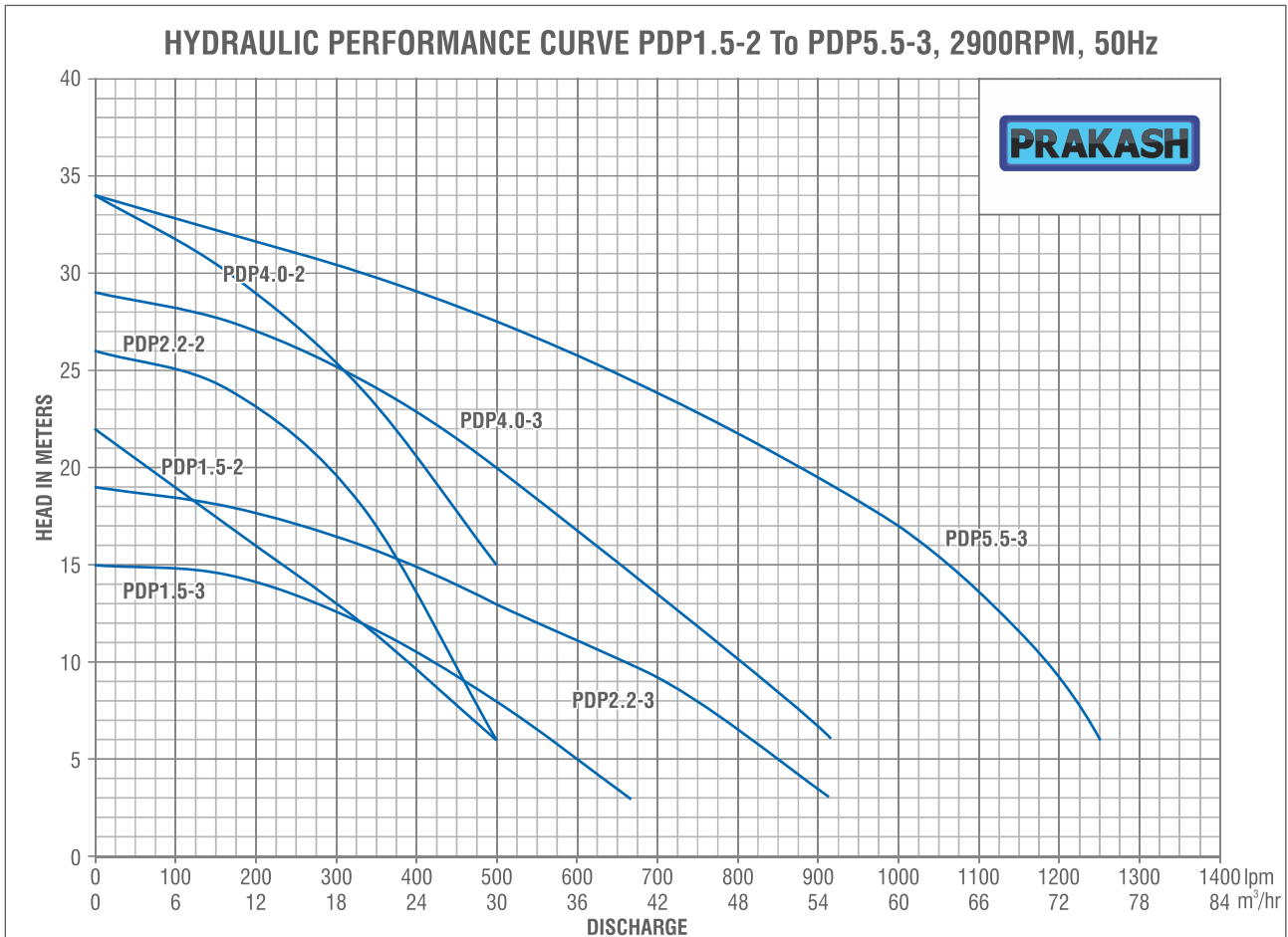


Performance Chart

2900 RPM

Model	Power		Q	US GPM																		
	KW	HP		M ³ /H																		
				LPM																		
			Head(m)	0	44	88	132	176	220	424	264	308	330	352	370	396	440	462	484	550	647	687
			Head(m)	0	10	20	30	40	50	55	60	70	75	80	84	90	100	105	110	125	147	156
			Head(m)	0	167	333	500	667	834	917	1000	1167	1250	1334	1400	1500	1667	1750	1834	2084	2450	2601
PDP1.5-2	1.5	2.0	Head(m)	22	17	12	6															
PDP2.2-2	2.2	3.0	Head(m)	26	24	18	6															
PDP4.0-2	4.0	5.5	Head(m)	34	30	24	15															
PDP1.5-3	1.5	2.0	Head(m)	15	14.5	12	8	3														
PDP2.2-3	2.2	3.0	Head(m)	19	18	16	13	9	5	3												
PDP4.0-3	4.0	5.5	Head(m)	29	27.5	24	20	14	8	6												
PDP5.5-3	5.5	7.5	Head(m)	34	32	30	27.5	24.5	21	19	17	12	6									
PDP4.0-4	4.0	5.5	Head(m)	18	17	16	15	14	12	11	10	7.5	7	6	5.5	4						
PDP5.5-4	5.5	7.5	Head(m)	23	21.8	20.5	19.5	18	17	16	15	13	12	10	9	7	4	3				
PDP7.5-4	7.5	10	Head(m)	40	38	36	33	30	26.5	24.5	22	16	13	10	3							
PDP11-4	11	15	Head(m)	48.5	46	42.5	39	34	29.5	27	24.5	19	16	14	3							
PDP15-4	15	20	Head(m)	56	55	53	51	48	45	43.5	42	33	27	21	3							
PDP7.5-6	7.5	10	Head(m)	31	30	29	27	25	23	22	21	19	18	16.5	16	14.5	12	11	9	5		
PDP11-6	11	15	Head(m)	32	31.5	31	30	29	28	27.5	26.5	25	24	23	22	21	18.5	17	16	13	9	
PDP15-6	15	20	Head(m)	40	39.5	39	38	37	36	35.5	35	34	33.5	33	32	31.5	30	29	28	25	20	18

Submersible Dewatering Pump



PRAKASH

Office in India

PRAKASH PUMP

Survey No. 479, Opp. Supreme Estate-1, Zak Kadadara Road, Vill. - Kadadara,
Tal. Dahegam, Gandhinagar, Gujarat 382305 INDIA E-mail: sale@prakashpump.com

Distributor Office for Middle East

PRAKASH PUMP EST

P.O. Box: 20973 Industrial Area Al Ain (United Arab Emirates)
Tel.: +971 3 7222733 Mob.: +971 50 6731283 E-mail: sale@prakashpump.com

Distributor Office for Oman

GLOBAL EQUIPMENT MATERIAL CO. LLC

P.O. Box. 227, Postal Code: 320 Nakhal Road, Barka (Sultanate of Oman)
Tel.: +968 26883982 Mob.: +968 94584686 E-mail: oman@prakashpump.com

Distributor Office for Saudi Arabia

PRAKASH PUMP INDUSTRY

P.O. Box 14327, Bldg. 3616, Al Marwah 6447, Al Mishael Riyadh City, (Kingdoms of Saudi Arabia)
Sulay Exit 18. Mobile: +966 539811109 Email: saudi@prakashpump.com

Factory Address

PANJI ENGINEERING PVT LTD

Survey No. 479, Opp. Supreme Estate-1, Zak Kadadara Road, Vill. - Kadadara,
Tal. Dahegam, Gandhinagar, Gujarat 382305 INDIA E-mail: sale@prakashpump.com



To get
Quotation by email



PRAKASHPUMPEST

These images given are only for illustration purpose
for further details contact the sales team at
sale@prakashpump.com / oman@prakashpump.com
/ saudi@prakashpump.com



To get
Website

