



Quality, Reliability, Life

# Centrifugal Monoblock Stainless Steel Pump



[www.prakashpump.com](http://www.prakashpump.com)

## Applications

- Pressure boiler feeding
- Pure water treating system
- Refining chemical industries
- Hot & cold-water circulation
- Washing & sprinkling
- Water supply systems

## Application Limits

- Liquid temperature : up to 90 °c
- Ambient temperature : up to 40 °c
- Max. working pressure : 10 Bar
- Liquid PH value : 4-10
- Altitude : <1000m

## Performance Range

- Flow : up to 72 m<sup>3</sup>/h
- Head : up to 62m
- Rated speed : 2900 RPM
- Power : 2.2 - 15 Kw
- Frequency : 50 Hz

## Motor Details

- 2 Pole induction motor (TEFC)
- 100% copper winding
- Insulation class : F
- Protection class : IP X4
- Voltage : single phase 220-240v, 50Hz  
: three phase 380-420v, 50Hz

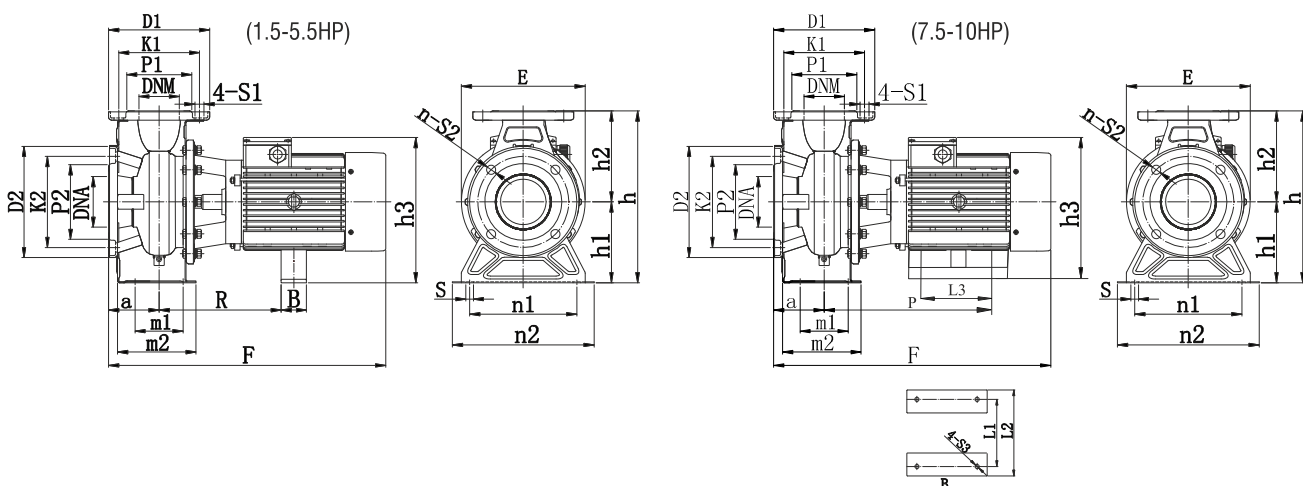
## Installation and use

PCM stainless steel is the most advanced series of centrifugal monoblock stainless steel pumps, with its liquid flow section made entirely of stainless steel 304 & (316 on request). Compliant with DIN24255 standard, it has excellent quality and efficiency to meet the complex application requirements of today's construction services and general industry. the PCM motor is tightly coupled with the water pump, and the impeller is installed on the extension shaft of the motor. PCM is equipped with weatherproof rating, IEC standard, aluminum frame motor. Starting from 11kW, the motor frame should be made of cast iron. The snail shell is designed as an integrated component

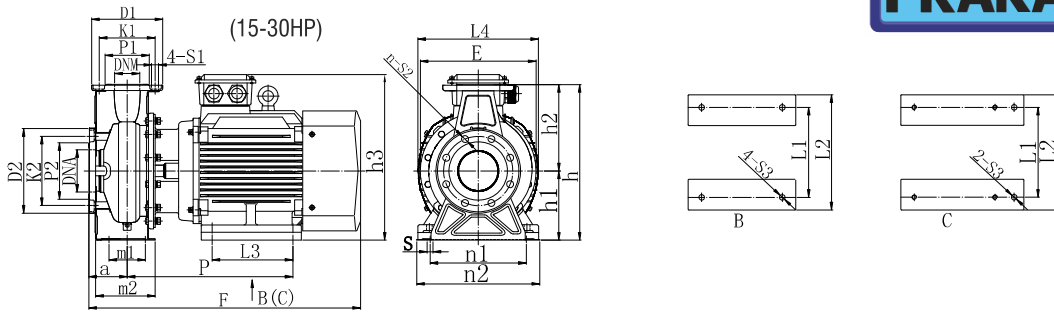
## Pump Selection Chart

Model	Power		Voltage/ 50Hz	Speed (RPM)	Inlet/ outlet	Max. Flow (m3/h)	Max. Head (meter)	Net Weight (Kg)	Max. Suction (m)
	HP	KW							
PCM50-32-3.0S	3.0	2.2	220-240v	2900	2" x 1.25"	20	37	36.4	3
PCM50-32-3.0T	3.0	2.2	380-420v	2900	2" x 1.25"	20	37	34.8	3
PCM50-32-5.5	5.5	4.0	380-420v	2900	2" x 1.25"	22	56	51.7	3
PCM50-32-7.5	7.5	5.5	380-420v	2900	2" x 1.25"	22	62	70.5	3
PCM65-40-7.5	7.5	5.5	380-420v	2900	2.5" x 1.5"	42	47	71	3
PCM65-40-10	10	7.5	380-420v	2900	2.5" x 1.5"	42	57	75.1	3
PCM65-50-15	15	11	380-420v	2900	2.5" x 2"	72	57.5	125.4	3
PCM65-50-20	20	15	380-420v	2900	2.5" x 2"	72	61	136.4	3

## G.A. Drawing



# Centrifugal Monoblock Stainless Steel Pump



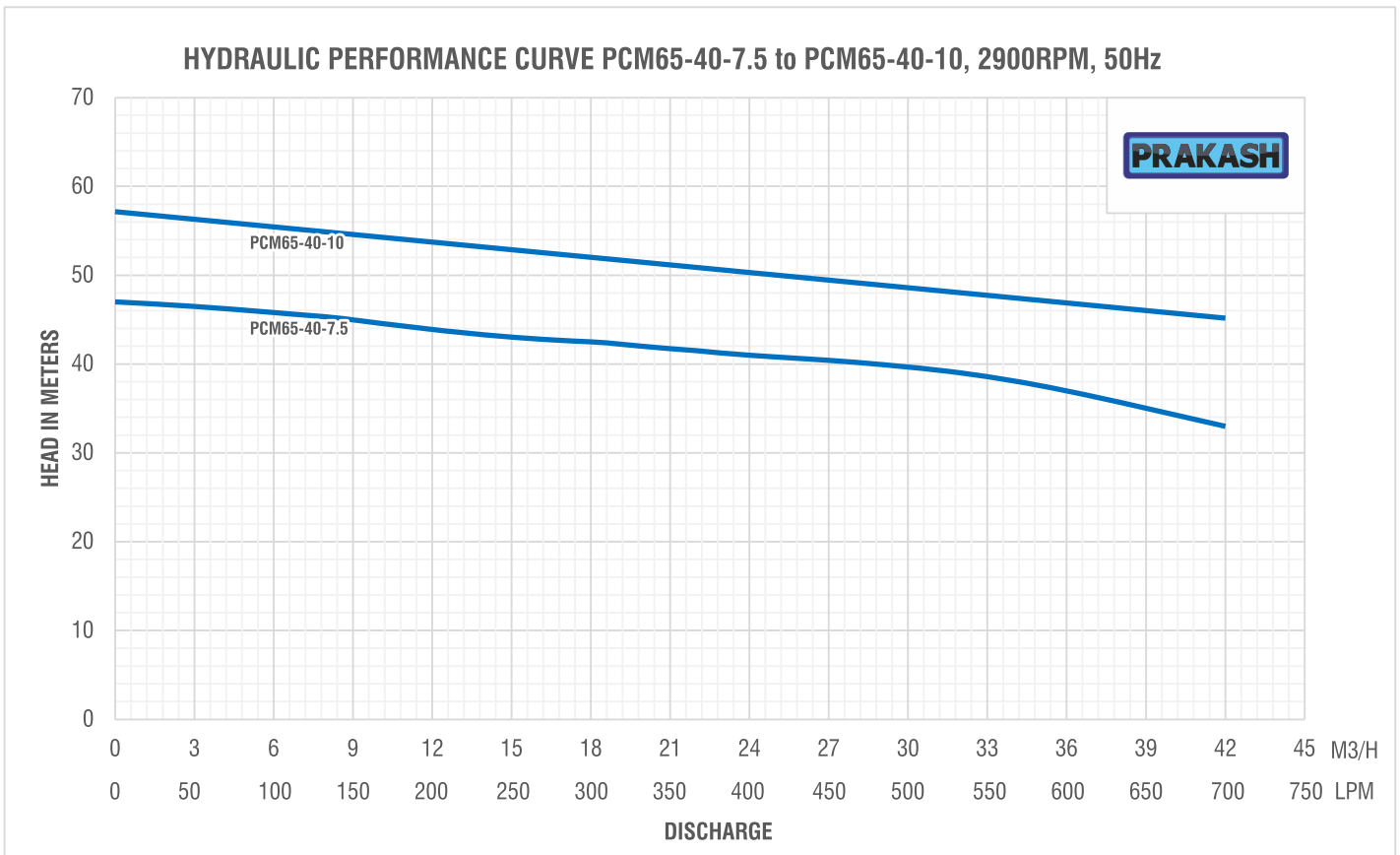
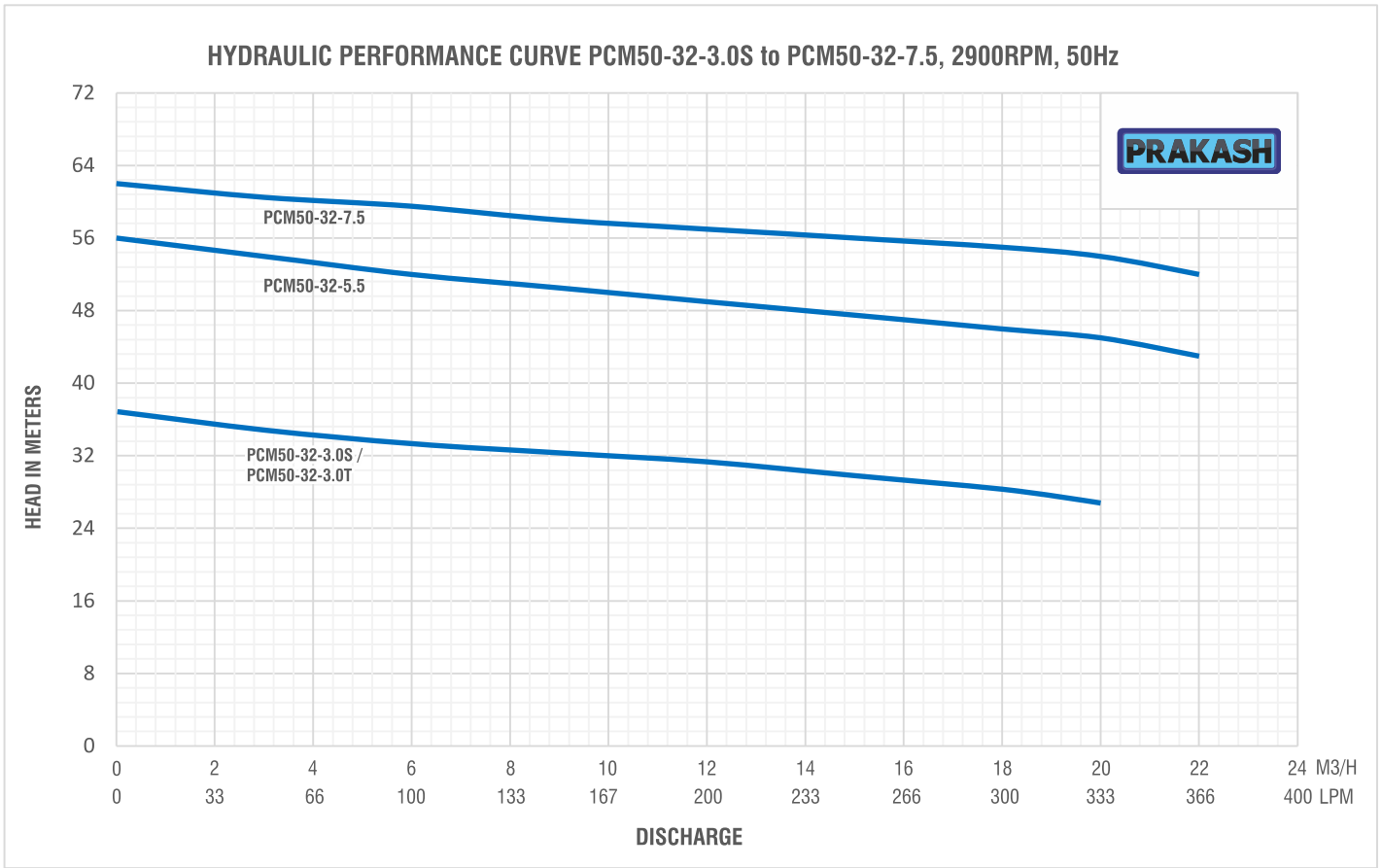
## Pump Dimension

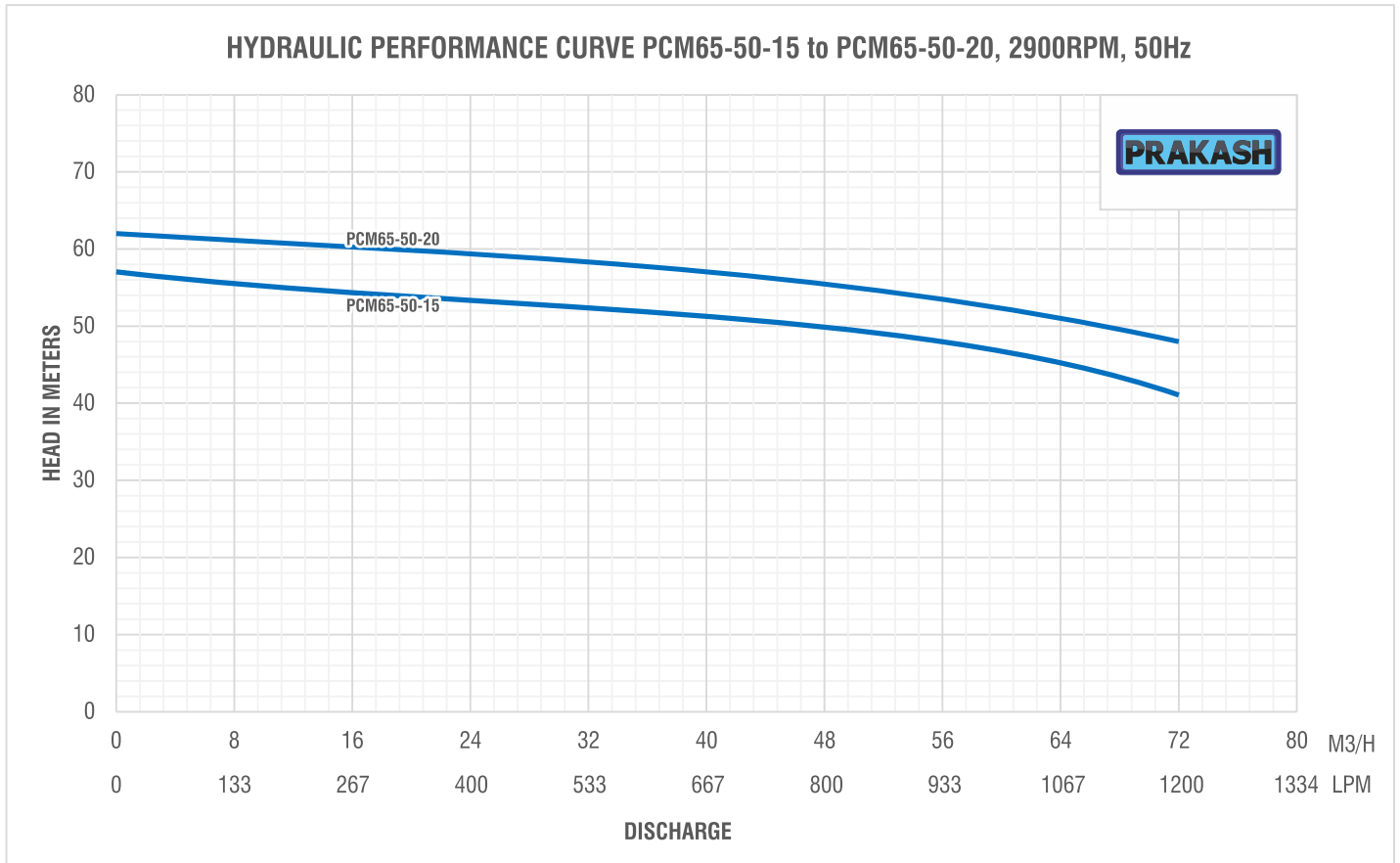
Model	Dimension in mm																														
	DNADNM	E	F	h	h1	h2	h3	a	m1	m2	n1	n2	S	B	R	P	L1	L2	L3	L4	S3	n	D2	K2	P2	S2	D1	K1	P1	S1	
PCM50-32-3.0S	50	32	244	493	292	132	160	253	80	70	123	190	240	15	15	223	-	-	-	-	-	-	4	165	125	99	18	140	100	76	18
PCM50-32-3.0T	50	32	244	493	292	132	160	253	80	70	123	190	240	15	15	223	-	-	-	-	-	4	165	125	99	18	140	100	76	18	
PCM50-32-5.5	50	32	295	548	340	160	180	288	80	70	124	190	240	15	50	231	-	-	-	-	-	4	165	125	99	18	140	100	76	18	
PCM50-32-7.5	50	32	295	575	340	160	180	329	80	70	124	190	240	15	-	-	342	216	255	140	344	12	4	165	125	99	18	140	100	76	18
PCM65-40-7.5	65	40	295	595	340	160	180	329	100	70	146	212	265	15	-	-	342	216	255	140	344	12	4	185	145	118	18	150	110	84	18
PCM65-40-10	65	40	295	595	340	160	180	329	100	70	146	212	265	15	-	-	342	216	255	140	344	12	4	185	145	118	18	150	110	84	18
PCM65-50-15	65	40	295	690	360	160	200	412	100	70	146	212	265	15	-	-	426	254	314	210	314	15	4	185	145	118	18	165	125	99	18
PCM65-50-20	65	40	295	690	360	160	200	412	100	70	146	212	265	15	-	-	426	254	314	210	314	15	4	185	145	118	18	165	125	99	18

## Pump Performance 2900 RPM, 50Hz

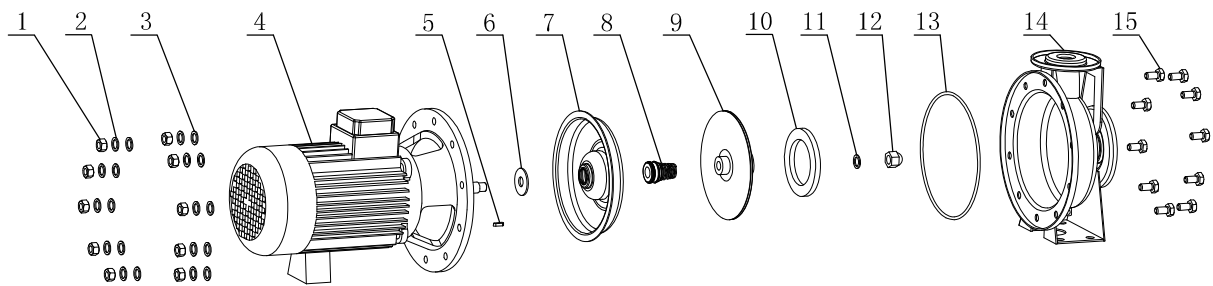
Model	Power		Q	US GPM	0	13	26	40	53	66	79	88	97	106	123	141	158	185
				M <sup>3</sup> /H	0	3	6	9	12	15	18	20	22	24	28	32	36	42
	LPM	0		50	100	150	200	250	300	333	367	400	466	533	600	700		
PCM50-32.30S	2.2	3.0	Head (m)	37	35	33.5	32.5	31.5	30	28.5	27							
PCM50-32.30T	2.2	3.0	Head (m)	37	35	33.5	32.5	31.5	30	28.5	27							
PCM50-32-5.5	4.0	5.5	Head (m)	56	54	51	50	49	47.5	46	45	43						
PCM50-32-7.5	5.5	7.5	Head (m)	62	60	59.5	58	57	56	55	54	52						
PCM65-40-7.5	5.5	7.5	Head (m)	47	46.5	46	45	43	42.8	42.5	42	41.5	41	40.5	39	37	33	
PCM65-40-10	7.5	10	Head (m)	57	55.5	54	53.5	53	52.5	52.5	52	51	50	49	47	46.5	44.5	

Model	Power		Q	US GPM	0	13	26	40	53	66	88	106	132	158	185	211	264	317
				M <sup>3</sup> /H	0	3	6	9	12	15	20	24	30	36	42	48	60	72
	LPM	0		50	100	150	200	250	333	400	500	600	700	800	1000	1200		
PCM65-50-15	11	15	Head (m)	57.5	57	56	55	54.3	53.5	53	52.5	52	51	50.5	50	47	41	
PCM65-50-20	15	20	Head (m)	61	60.5	60	59.5	59	58.8	58.5	58.5	58.5	57.5	57	56	53	48	





### Exploded view



### Material of Construction (MOC)

Code no.	Part name	Material	Code no.	Part name	Material
1	Nut	SS304	9	Impeller	SS304
2	Spring washer	SS304	10	Wear ring	PPO
3	Plan washer	SS304	11	Spring washer	SS304
4	Motor		12	Impeller nut	SS304
5	Shaft key	SS304	13	O-ring	Viton
6	V slinger	NBR	14	Casing	SS304
7	Back cover	SS304	15	Bolt	SS304
8	Mechanical seal	Sic-Viton			

# PRAKASH

Office in India

## PRAKASH PUMP

Survey No. 479, Opp. Supreme Estate-1, Zak Kadadara Road, Vill. - Kadadara,  
Tal. Dahegam, Gandhinagar, Gujarat 382305 INDIA E-mail: sale@prakashpump.com

Distributor Office for Middle East

## PRAKASH PUMP EST

P.O. Box: 20973 Industrial Area Al Ain (United Arab Emirates)  
Tel.: +971 3 7222733 Mob.: +971 50 6731283 E-mail: sale@prakashpump.com

Distributor Office for Oman

## GLOBAL EQUIPMENT MATERIAL CO. LLC

P.O. Box. 227, Postal Code: 320 Nakhal Road, Barka (Sultanate of Oman)  
Tel.: +968 26883982 Mob.: +968 94584686 E-mail: oman@prakashpump.com

Distributor Office for Saudi Arabia

## PRAKASH PUMP INDUSTRY

P.O. Box 14327, Bldg. 3616, Al Marwah 6447, Al Mishael Riyadh City, (Kingdoms of Saudi Arabia)  
Sulay Exit 18. Mobile: +966 539811109 Email: saudi@prakashpump.com

Factory Address

## PANJI ENGINEERING PVT LTD

Survey No. 479, Opp. Supreme Estate-1, Zak Kadadara Road, Vill. - Kadadara,  
Tal. Dahegam, Gandhinagar, Gujarat 382305 INDIA E-mail: sale@prakashpump.com



To get  
Quotation by email



## PRAKASHPUMPEST

These images given are only for illustration purpose  
for further details contact the sales team at  
sale@prakashpump.com / oman@prakashpump.com  
/ saudi@prakashpump.com



To get  
Website

