

# PRAKASH

Quality, Reliability, Life

## Solo Industrial Pump (PSPP-30) 60Hz

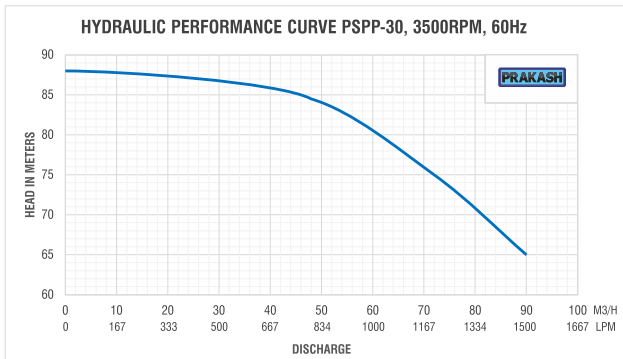


[www.prakashpump.com](http://www.prakashpump.com)

# Solo Industrial Pump 60Hz

**PRAKASH**

Model : PSPP-30



## Application

- Civil agricultural, Industries, & General plant use
- Hot & cold water circulation
- Residential & commercial chiller plant
- Spray or flowing irrigation
- Autoclave feed
- High pressure equipment system supporting

## Application Limits

- Liquid temperature : up to 105°C
- Ambient temperature : up to 40°C
- Max. suction : up to 8 m
- Max. operating pressure : 10 bar
- Liquid PH : 6-8
- Altitude : < 1000m

## Material of Construction (MOC)

- Pump body : Cast iron
- Bracket : Cast iron
- Impeller : Stainless steel 304
- Shaft : Stainless steel 304
- Mechanical seal : Sic/Ceramic/NBR

## Motor Details

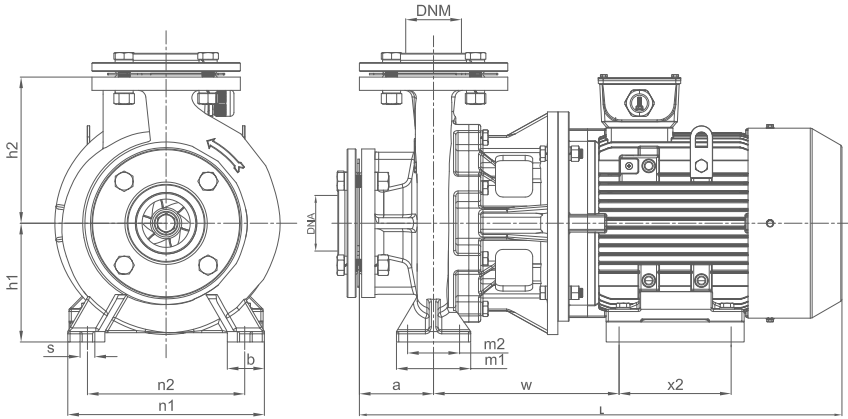
- 2 Pole induction motor (TEFC)
- 100% Copper winding
- Protection class : IPX4 / IP54
- Insulation class : F
- Voltage : 380-420v, 60Hz

## Pump Selection Chart

Model	Power		Volt (60Hz)	Phase	Rated Speed (RPM)	Inlet / Outlet	Max. Flow (m3/h)	Max. Head (Mtr)	Max. Suction (Mtr)
	Kw	HP							
PSPP-30	22	30	380-420	3 φ	3500	3" x 3"	90	88	8

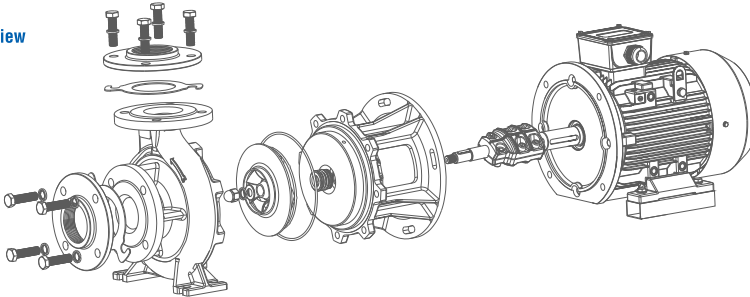
## Performance Chart

Model	Power		Q	US GPM	0	40	90	119	159	211	317	396
	Kw	HP		M3/H	0	9	21	27	36	48	72	90
				LPM	0	150	350	450	600	800	1200	1500
PSPP-30	22	30	HEAD (m)	88	88	86.5	86	85	84.5	75	65	



Model	Ports		Dimensions In MM											
	DNA	DNM	L	a	m1	m2	n1	n2	h1	h2	S	b	W	x2
PSPP-30	3"	3"	824	100	125	95	320	250	180	225	14	65	368	241

**Exploded View  
PSPP-30**



**Material of the Components in Contact with the Liquid**

Components	Pump Body (Volute Chamber)	Impeller	Muff coupling with shaft	Mechanical Seal	O'Ring	Pump Bracket						
	<table border="1"> <thead> <tr> <th>Material</th> <th>Standard</th> <th>Special Requirement</th> </tr> </thead> <tbody> <tr> <td></td> <td>Cast Iron</td> <td>Stainless Steel +304/316</td> </tr> </tbody> </table>	Material	Standard	Special Requirement		Cast Iron	Stainless Steel +304/316					
Material	Standard	Special Requirement										
	Cast Iron	Stainless Steel +304/316										
	Cast Iron	Stainless Steel 304	Stainless Steel 304 & S.G. Iron	Mg1-SiC Standard Mechanical Seal								
	Stainless Steel +304/316	Stainless Steel 316	Stainless Steel 316 & S.G. Iron	Mg1-SiC/TC Viton Mechanical Seal	High Nitrile Rubber	Combine Cast Iron						

# PRAKASH

Office in India

## PRAKASH PUMP

Survey No. 479, Opp. Supreme Estate-1, Zak Kadadara Road, Vill. - Kadadara,  
Tal. Dahegam, Gandhinagar, Gujarat 382305 INDIA E-mail: [sale@prakashpump.com](mailto:sale@prakashpump.com)

Distributor Office for Middle East

## PRAKASH PUMP EST

P.O. Box: 20973 Industrial Area Al Ain (United Arab Emirates)  
Tel.: +971 3 7222733 Mob.: +971 50 6731283 E-mail: [sale@prakashpump.com](mailto:sale@prakashpump.com)

Distributor Office for Oman

## GLOBAL EQUIPMENT MATERIAL CO. LLC

P.O. Box. 227, Postal Code: 320 Nakhla Road, Barka (Sultanate of Oman)  
Tel.: +968 26883982 Mob.: +968 94584686 E-mail: [oman@prakashpump.com](mailto:oman@prakashpump.com)

Distributor Office for Saudi Arabia

## PRAKASH PUMP INDUSTRY

P.O. Box 14327, Bldg. 3616, Al Marwah 6447, Al Mishael Riyadh City, (Kingdoms of Saudi Arabia)  
Sulay Exit 18. Mobile: +966 539811109 Email: [saudi@prakashpump.com](mailto:saudi@prakashpump.com)

Factory Address

## PANJI ENGINEERING PVT LTD

Survey No. 479, Opp. Supreme Estate-1, Zak Kadadara Road, Vill. - Kadadara,  
Tal. Dahegam, Gandhinagar, Gujarat 382305 INDIA E-mail: [sale@prakashpump.com](mailto:sale@prakashpump.com)



To get  
Quotation by email



PRAKASHPUMPEST

These images given are only for illustration purpose  
for further details contact the sales team at  
[sale@prakashpump.com](mailto:sale@prakashpump.com) / [oman@prakashpump.com](mailto:oman@prakashpump.com)  
/ [saudi@prakashpump.com](mailto:saudi@prakashpump.com)



To get  
Website

