



Quality, Reliability, Life

Solo Industrial Pump



www.prakashpump.com

Application

- Civil, agricultural, Industries, & General plant use
- Hot & cold water circulation
- Residential & commercial chiller plant
- Spray or flowing irrigation
- Autoclave feed
- High pressure equipment system supporting

Application Limits

- Liquid temperature : up to 105^o C
- Ambient temperature : up to 40^o C
- Max. suction : up to 8 m
- Max. operating pressure : 10 bar
- Liquid PH : 6-8
- Altitude : <1000m

Performance Range

- Flow: Up to 1500 LPM
- Head: Up to 88m
- Speed 2900 RPM
- Power : 5.5Kw - 22Kw

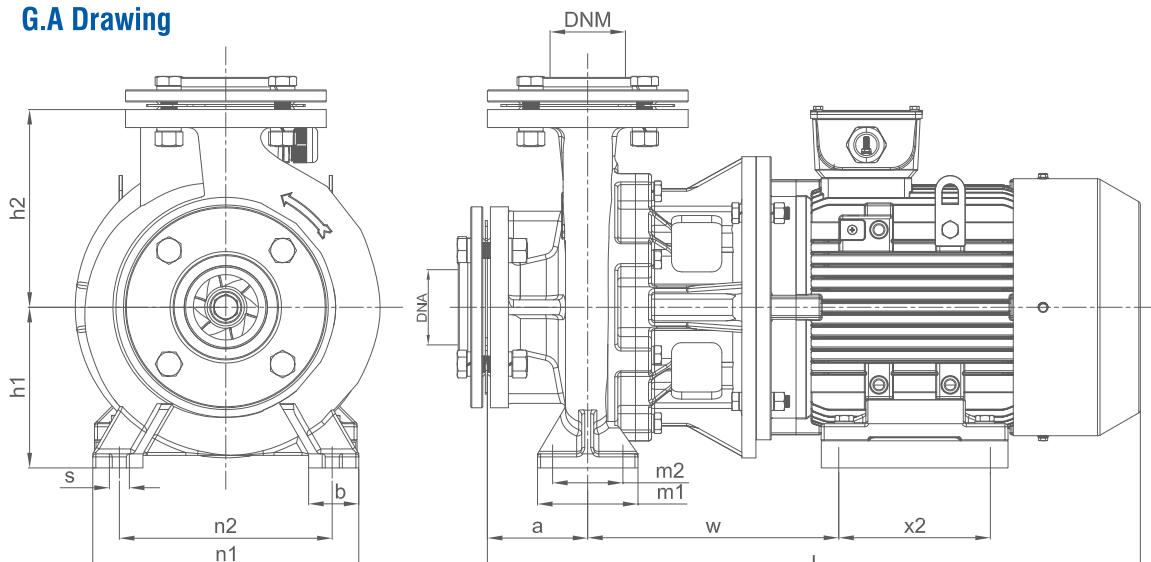
Installation and Use

These pumps are ideal for pumping clean water and other chemically and mechanically non-aggressive liquids. These system can be installed in any position, provide the inlet opening faces upwards, and, thanks to their Special design-which allows back pull out of the motor and the rotary parts Of the pump and subsequent re-assembly without having to remove the pump Body and the pipes connected to it – can be easily and conveniently used for a wide variety of applications in civil, agricultural, industrial or general plant uses. Water supply, spray or flowing irrigation, autoclave feed, high pressure system heating, conditioning and any other service requiring transfer of clean liquids

Pump Selection Chart

Model	Power		Volt / 50Hz	Phase	Speed (RPM)	Inlet Outlet	Max. Flow (m ³ /h)	Max. Head (m)	Max. Suction (m)	Net Weight (Kg)
	KW	HP								
PSPP-7.5	5.5	7.5	380-420	3 Φ	2900	3" X 3"	72	38	8	91
PSPP-10	7.5	10	380-420	3 Φ	2900	3" X 3"	72	45	8	101
PSPP-15	11	15	380-420	3 Φ	2900	3" X 3"	90	55	8	142.5
PSPP-20	15	20	380-420	3 Φ	2900	3" X 3"	90	65	8	152.5
PSPP-25	18.5	25	380-420	3 Φ	2900	3" X 3"	90	75	8	224.5
PSPP-30	22	30	380-420	3 Φ	2900	3" X 3"	90	88	8	234.5

G.A Drawing



Material of Construction (MOC)

- Pump body : Cast iron
- Bracket : Cast iron
- Impeller : Stainless steel 304
- Shaft : Stainless steel 304
- Mechanical seal : Sic/Ceramic

Motor Details

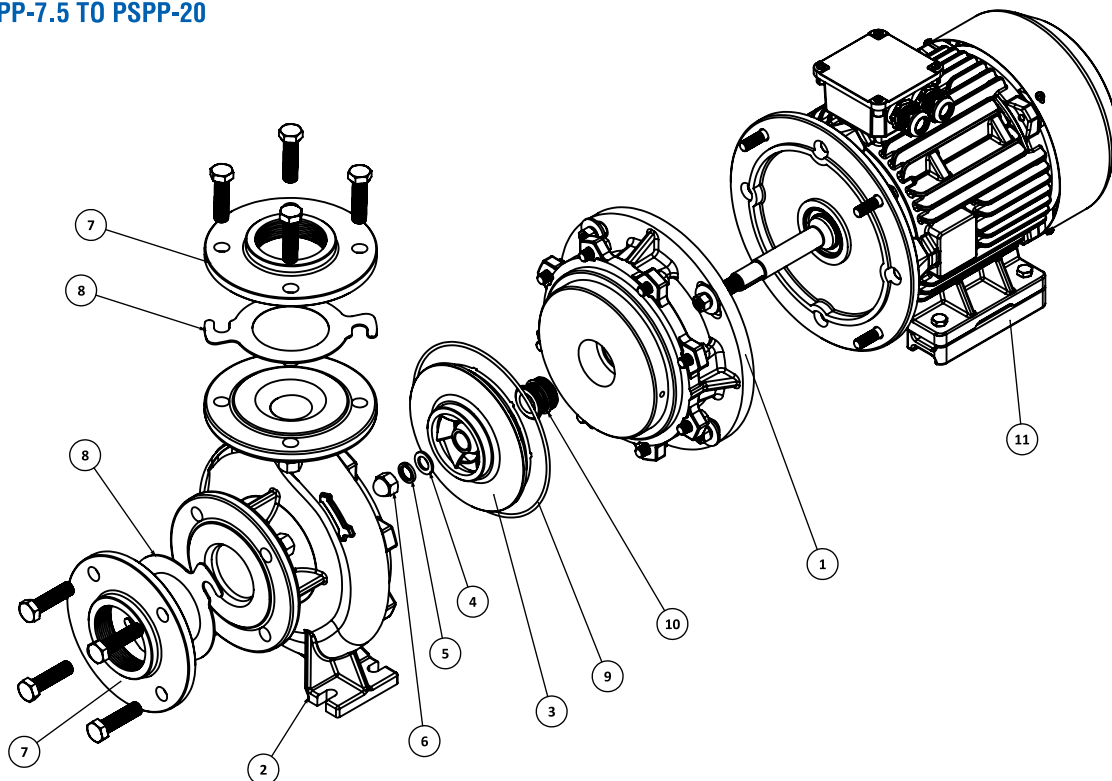
- 2 Pole induction motor (TEFC)
- 100% Copper winding
- Protection class : IPX4 / IP54
- Insulation class : F
- Voltage : 380-420v, 50Hz

Pump Dimensions

Model	Ports		Dimensions In MM											
	DNA	DNM	L	a	m1	m2	n1	n2	h1	h2	S	b	W	x2
PSPP-7.5	3"	3"	582	100	100	70	265	212	160	200	14	50	295	140
PSPP-10	3"	3"	582	100	100	70	265	212	160	200	14	50	295	140
PSPP-15	3"	3"	711	100	100	70	265	212	160	200	14	50	314	210
PSPP-20	3"	3"	711	100	100	70	265	212	160	200	14	50	314	210
PSPP-25	3"	3"	797	100	125	95	320	250	180	225	14	65	368	241
PSPP-30	3"	3"	824	100	125	95	320	250	180	225	14	65	368	241

Exploded View

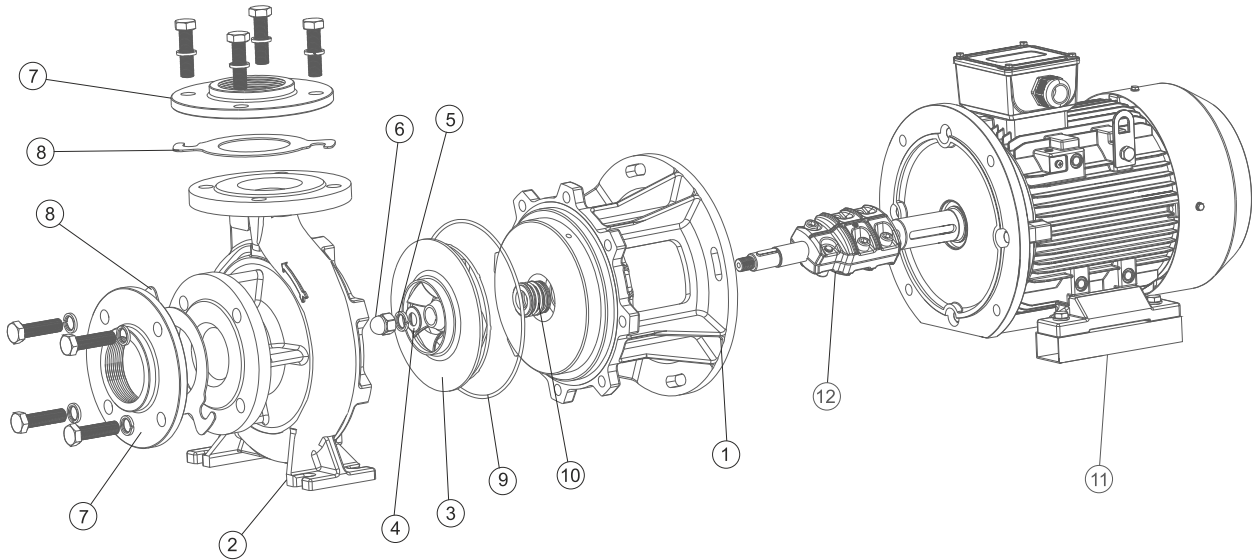
PSPP-7.5 TO PSPP-20



Material Of Construction (MOC)

ITEM NO.	PART NAME	MATERIAL
1	Bracket	Cast Iron FG200
2	Pump Body/Volute Chamber	Cast Iron FG200
3	Impeller	SS304
4	Flat washer	Zink plated mild steel
5	Spring washer	Zink plated mild steel
6	Domed cap nut	SS316
7	Flange	Cast Iron FG200
8	Gasket	Nitrile rubber
9	O-Ring	Nitrile rubber
10	Mechanical seal	Sic/Ceramic
11	Induction motor	Combine

**Exploded View
PSPP-25 TO PSPP-30**

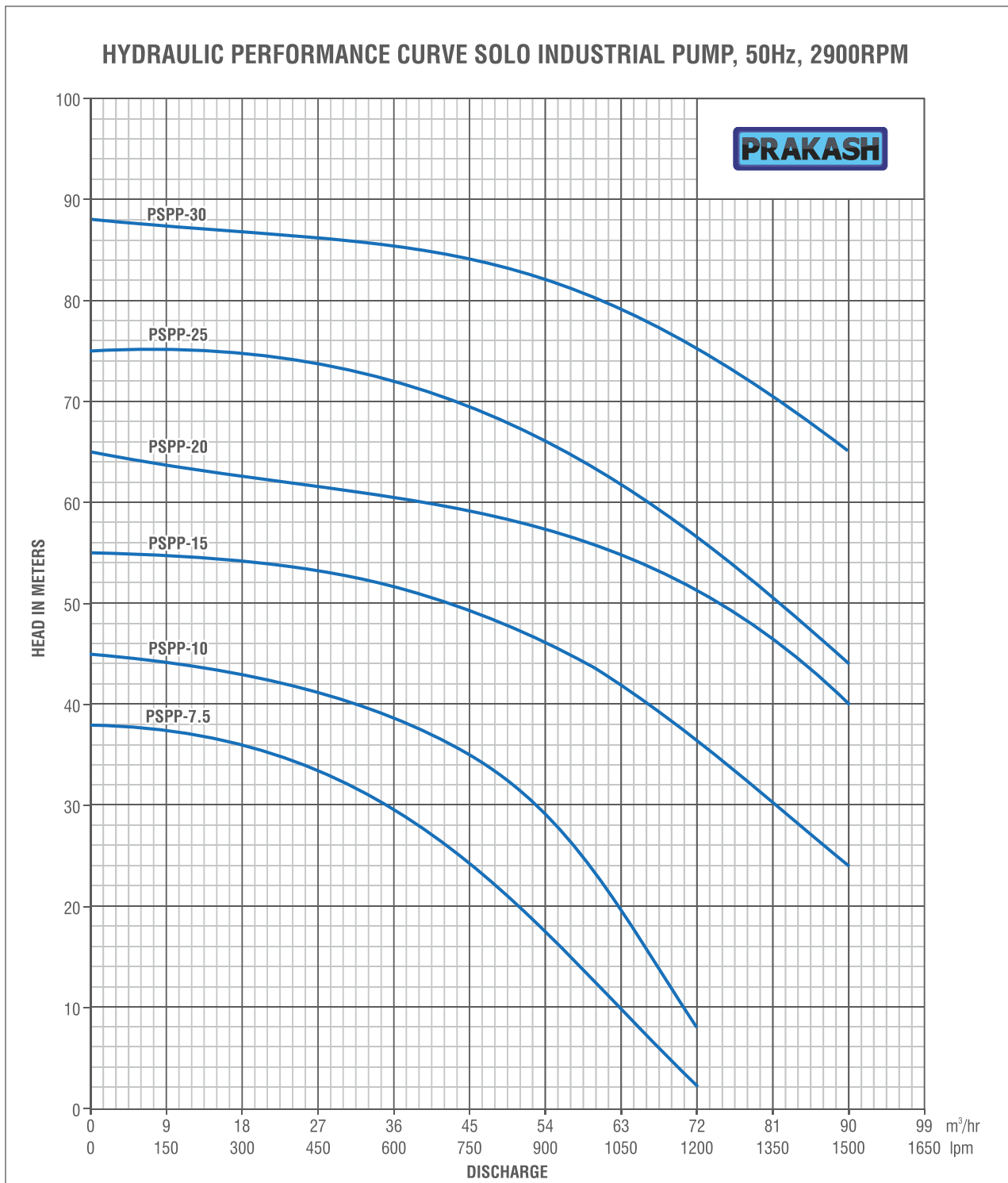


Material Of Construction (MOC)

ITEM NO.	PART NAME	MATERIAL
1	Bracket	Cast Iron FG200
2	Pump Body/Volute Chamber	Cast Iron FG200
3	Impeller	SS304
4	Flat washer	Zink plated mild steel
5	Spring washer	Zink plated mild steel
6	Domed cap nut	SS316
7	Flange	Cast Iron FG200
8	Gasket	Nitrile rubber
9	O-Ring	Nitrile rubber
10	Mechanical seal	Sic/Ceramic
11	Induction motor	Combine
12	Muff Coupling with Shaft	S.G iron & SS304

Hydraulic performance chart

MODEL	POWER		Q	US GPM	0	26	40	53	66	79	90	106	119	132	159	185	211	238	264	317	370	396
				M ³ /H	0	6	9	12	15	18	21	24	27	30	36	42	48	54	60	72	84	90
	KW	HP	LPM	0	100	150	200	250	300	350	400	450	500	600	700	800	900	1000	1200	1400	1500	
PSPP-7.5	5.5	7.5	Head (m)	38	37.5	37.5	37	36.5	36	35.5	35	34	33	30	24	22	17	12	2			
PSPP-10	7.5	10	Head (m)	45	44.5	44	43.5	43	42.5	42	41.5	41	40.5	39	36.6	33	29	23	8			
PSPP-15	11	15	Head (m)	55	54.5	54.5	54.5	54.5	54.5	54	53.5	53	52	50	48	46	43	36	28	24		
PSPP-20	15	20	Head (m)	65	64.5	64	63.5	63	62.5	62	62	62	62	62	62	61	58.5	56	50	45	40	
PSPP-25	18.5	25	Head (m)	75	75	75	74.5	74.5	74.5	74.5	74	73	72	71.5	71	69	65	61.5	55.5	50	45	
PSPP-30	22	30	Head (m)	88	88	88	87.5	87	86.5	86.5	86	86	85	85	85	84.5	82.5	80	75	70	65	



PRAKASH

Office in India

PRAKASH PUMP

Survey No. 479, Opp. Supreme Estate-1, Zak Kadadara Road, Vill. - Kadadara,
Tal. Dahegam, Gandhinagar, Gujarat 382305 INDIA E-mail: sale@prakashpump.com

Distributor Office for Middle East

PRAKASH PUMP EST

P.O. Box: 20973 Industrial Area Al Ain (United Arab Emirates)
Tel.: +971 3 7222733 Mob.: +971 50 6731283 E-mail: sale@prakashpump.com

Distributor Office for Oman

GLOBAL EQUIPMENT MATERIAL CO. LLC

P.O. Box. 227, Postal Code: 320 Nakhal Road, Barka (Sultanate of Oman)
Tel.: +968 26883982 Mob.: +968 94584686 E-mail: oman@prakashpump.com

Distributor Office for Saudi Arabia

PRAKASH PUMP INDUSTRY

P.O. Box 14327, Bldg. 3616, Al Marwah 6447, Al Mishaal Riyadh City, (Kingdoms of Saudi Arabia)
Sulay Exit 18. Mobile: +966 539811109 Email: saudi@prakashpump.com

Factory Address

PANJI ENGINEERING PVT LTD

Survey No. 479, Opp. Supreme Estate-1, Zak Kadadara Road, Vill. - Kadadara,
Tal. Dahegam, Gandhinagar, Gujarat 382305 INDIA E-mail: sale@prakashpump.com



To get
Quotation by email



PRAKASHPUMPEST

These images given are only for illustration purpose
for further details contact the sales team at
sale@prakashpump.com / oman@prakashpump.com
/ saudi@prakashpump.com



To get
Website

