



Quality, Reliability, Life

# Swimming Pool Pump



[www.prakashpump.com](http://www.prakashpump.com)

## Applications

- Home and Garden medium pool
- Cellars, drain pool, pond
- Flooded area, landscape fountains
- Domestic clean pool, light industrial
- Water circulation & filtration systems

## Application Limits

- liquid temperature 5° to 50°C
- Ambient temperature up to 40°C
- Maximum suction: 3.5 meters
- liquid PH: 6.5 to 8
- Altitude : <1000m

## Feature

- These series of swimming pool pumps are self-priming centrifugal pumps with filter, it is mainly used in water circulation & filtration systems
- These swimming pool pumps are medium swimming pool pumps and designed from Italy technology
- These have been specifically designed to incur porate that will provide reliable and efficient pump operation
- Excellent suction head, best performance, suitable pre-filter, stable running and low noise

## Performance Range

- Capacity: up to 30 m<sup>3</sup>/h
- Head: up to 18 meters
- Speed: 2900 RPM
- Power: 1.1 kW to 2.2 kW

## Motor details

- 2 Pole induction motor (TEFC)
- 100% Copper winding
- Protection Class: IPX5
- Insulation Class : F
- Thermal protection : Built-in (only single phase)
- Voltage: Single phase 220-240V, 50Hz  
Three phase 380-420V, 50Hz
- Connection Cable Length : 1.5 Meters

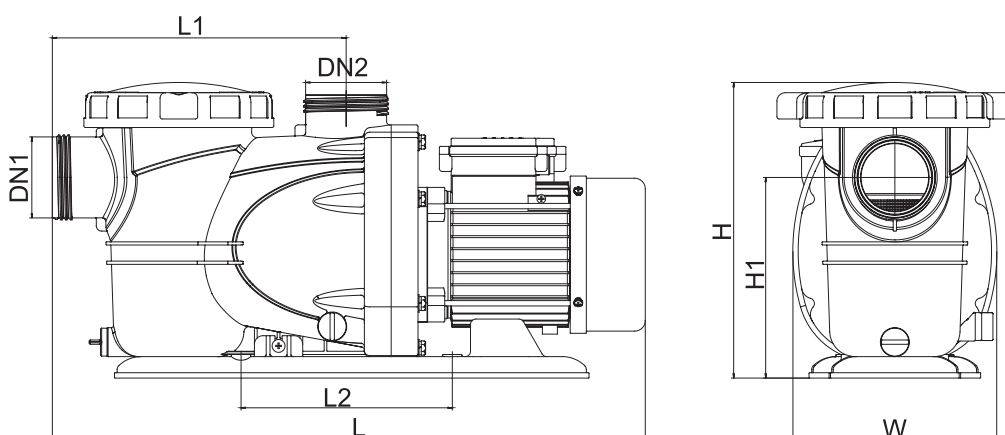
## Pump Selection Chart

Model	Power		Volt/ 50Hz	Speed (RPM)	Connection	Inlet (mm)	Outlet (mm)	Max. Flow (m <sup>3</sup> /h)	Max. Head (Mtr)	Net Weight (Kg)
	Kw	HP								
PSPP-1.5	1.1	1.5	220-240v	2900	capacitor inbuilt	48.5/50	48.5/50	22	15	10.5
PSPP-2.0	1.5	2.0	220-240v	2900	capacitor inbuilt	48.5/50	48.5/50	27	17	14.5
PSPP-3.0	2.2	3.0	220-240v	2900	capacitor inbuilt	48.5/50	48.5/50	30	18	16.5
PSPP-3.0T	2.2	3.0	380-420v	2900	Star	48.5/50	48.5/50	30	18	16

## Dimension (mm)

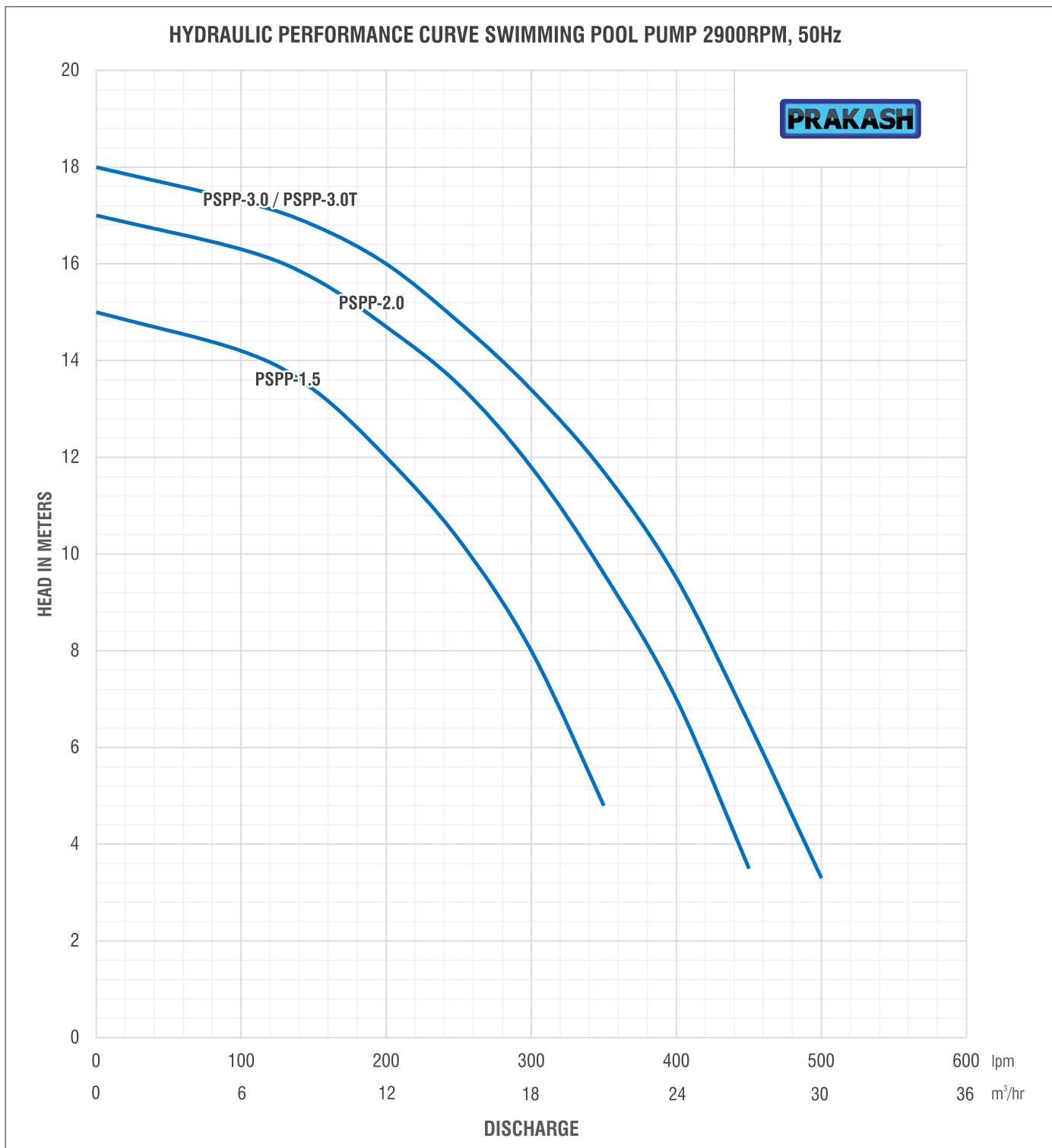
Model	DN1	DN2	L	W	H	L1	L2	H1
PSPP-1.5	48.5/50	48.5/50	554	190	276	274	197	187
PSPP-2.0	48.5/50	48.5/50	584	190	276	274	197	187
PSPP-3.0	48.5/50	48.5/50	584	190	276	274	197	187
PSPP-3.0T	48.5/50	48.5/50	584	190	276	274	197	187

## G.A Drawing

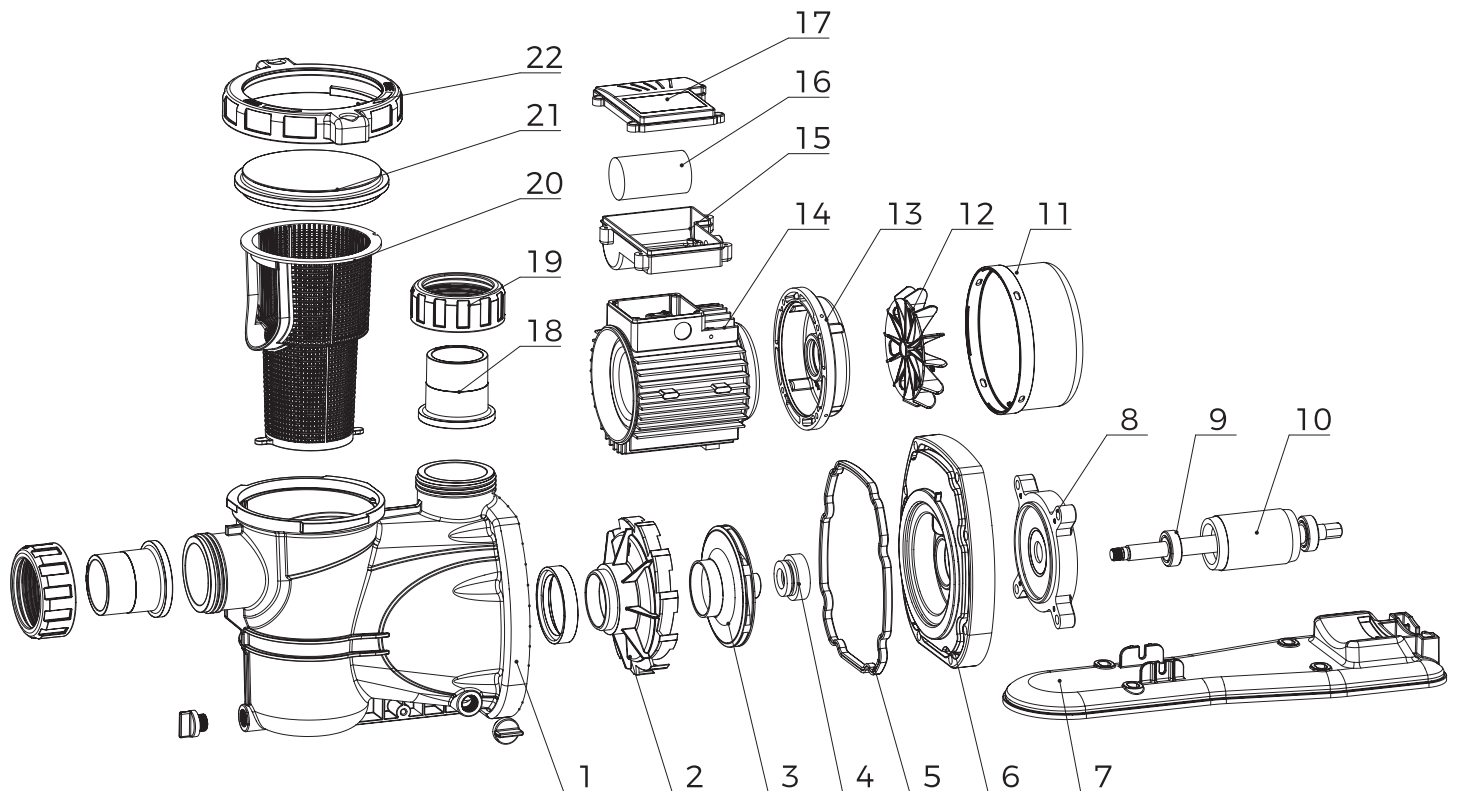


## Pump Performance Chart

Model	Power		Q	US GPM	0	26	40	53	250	279	92	106	119	132
	Kw	HP		M <sup>3</sup> /H	0	6	9	12	15	18	21	24	27	30
				LPM	0	100	150	200	250	300	350	400	450	500
PSPP-1.5	1.1	1.5	Head (m)	15	14.2	13.4	12	10.3	8	4.8				
PSPP-2.0	1.5	2.0	Head (m)	17	16.3	15.7	14.7	13.5	11.8	9.6	7	3.5		
PSPP-3.0	2.2	3.0	Head (m)	18	17.3	16.8	16	14.8	13.4	11.7	9.5	6.5	3.3	
PSPP-3.0T	2.2	3.0	Head (m)	18	17.3	16.8	16	14.8	13.4	11.7	9.5	6.5	3.3	



## Exploded View



## Material of Construction (MOC)

No (code)	Parts name	Material	No (Code)	Parts name	Material
1	Pump body	PP-G	12	Fan	ABS
2	Diffuser	PP-G	13	End plate	ADC12
3	Impeller	PPO	14	Motor stator	AL
4	Mechanical Seal		15	Terminal box	ABS
5	Switch seal Washer	NBR	16	Capacitor	
6	Plastic rack	PP-G	17	Terminal cover	ABS
7	Bottom board	PP	18	Water outlet connection	PVC
8	Pump support	ZL102	19	Nut	ABS
9	Ball bearing		20	Sieve	PP
10	Rotor		21	Pump cover	PC
11	Fan cover	PP	22	Pump cover nut	Pa6

# PRAKASH

Office in India

## PRAKASH PUMP

Survey No. 479, Opp. Supreme Estate-1, Zak Kadadara Road, Vill. - Kadadara,  
Tal. Dahegam, Gandhinagar, Gujarat 382305 INDIA E-mail: sale@prakashpump.com

Distributor Office for Middle East

## PRAKASH PUMP EST

P.O. Box: 20973 Industrial Area Al Ain (United Arab Emirates)  
Tel.: +971 3 7222733 Mob.: +971 50 6731283 E-mail: sale@prakashpump.com

Distributor Office for Oman

## GLOBAL EQUIPMENT MATERIAL CO. LLC

P.O. Box. 227, Postal Code: 320 Nakhal Road, Barka (Sultanate of Oman)  
Tel.: +968 26883982 Mob.: +968 94584686 E-mail: oman@prakashpump.com

Distributor Office for Saudi Arabia

## PRAKASH PUMP INDUSTRY

P.O. Box 14327, Bldg. 3616, Al Marwah 6447, Al Mishael Riyadh City, (Kingdoms of Saudi Arabia)  
Sulay Exit 18. Mobile: +966 539811109 Email: saudi@prakashpump.com

Factory Address

## PANJI ENGINEERING PVT LTD

Survey No. 479, Opp. Supreme Estate-1, Zak Kadadara Road, Vill. - Kadadara,  
Tal. Dahegam, Gandhinagar, Gujarat 382305 INDIA E-mail: sale@prakashpump.com



To get  
Quotation by email



## PRAKASHPUMPEST

These images given are only for illustration purpose  
for further details contact the sales team at  
sale@prakashpump.com / oman@prakashpump.com  
/ saudi@prakashpump.com



To get  
Website

