



Quality, Reliability, Life

4" Submersible Motor



www.prakashpump.com

Application

- Domestic water supply to waterwork
- Irrigation in horticulture and agriculture
- Drip and sprinkler irrigation
- Pressure boosting application
- Water treatment
- Civil and industrial application

Product feature

- Easily rewindable (wet wound) induction motor with PVC/ Poly wrapped insulated winding.
- Fluid Lubricated thrust bearing
- Corrosion resistance stainless steel stator.
- Non-contaminating oil filling design.
- High efficiency electrical design for low operation cost.
- Cable material according to drinking water regulation.
- All motors prefilled with dielectric fluid and 100% tested.
- Sand slinger for high performance in sand.
- A rubber diaphragm is provided to guard against pressure and volume variation due to thermal expansion of oil inside the motor

Specifications

- 4" NEMA Flange with M8 Stud.
- Water temperature: up to 45° C
- Minimum internal diameter of well: 4" Ø100mm.
- Power Range: 0.75kW to 2.2kW (Single Phase)
2.2kW to 4.0kW (Three Phase)
- Power Supply: Three Phase 380V-415V \pm 10%, 50Hz
Single Phase 220V-240V \pm 10%, 50Hz
- Insulation Class: F
- Protection Class: IP 68
- Max. No of starts per hour: 30
- Water PH: 6.5 - 8.0
- Direction Of Rotation counter clock wise facing shaft end
(Rotation Reversible for three phase Motor)
- Speed: 2900 rpm
- Pole: 2P
- Cooling Flow: Min 8cm/sec
- Max. immersion depth: 150m
- Installation position: vertical / horizontal
- Duty: S1

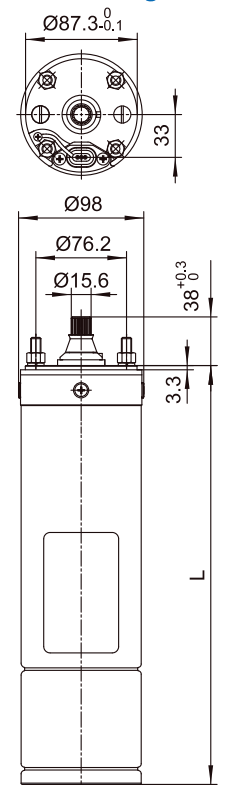
4" Submersible Motor

PRAKASH

Technical Data

Model	Power		Voltage/ 50Hz	Axial load (N)	Method of start	L (mm)	Net weight (Kg)
	Kw	HP					
PSM1.0-100S	0.75	1.0	220-240v	1500	CR	378	9
PSM1.5-100S	1.1	1.5	220-240v	2500	CR	442	11
PSM2.0-100S	1.5	2.0	220-240v	2500	CR	472	12.4
PSM3.0-100S	2.2	3.0	220-240v	2500	CR	517	14.8
PSM3.0-100T	2.2	3.0	380-420v	2500	D.O.L	502	13.8
PSM4.0-100T	3.0	4.0	380-420v	4500	D.O.L	552	16.6
PSM5.5-100T	4.0	5.5	380-420v	4500	D.O.L	602	19

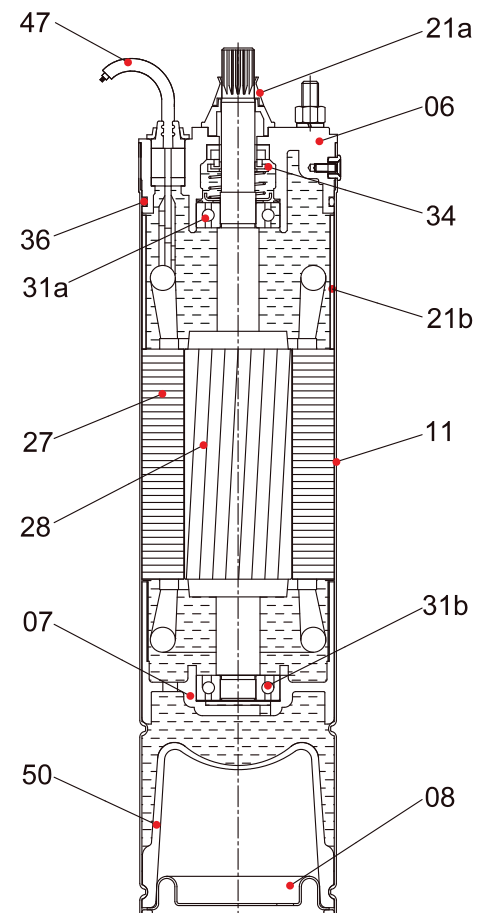
G.A Drawing



Material of Construction (MOC)

Item No.	Name of parts	Material
06	Upper support	Brass
07	Bearing house	Aluminum die casting
08	End cover	SS304
11	Motor casing	SS304
21a	Sand guard	NBR
21b	Guard ring	Plastic
27	Stator	-
28	Rotor	Shaft: SS304
31a	Bearing	Ball bearing
31b	Bearing	Angular contact bearing
34	Mechanical seal	Carbon-ceramic
36	O-ring	NBR
47	Cable	PVC/Copper
50	Pressure regulator	NBR

Sectional view



PRAKASH

Office in India

PRAKASH PUMP

Survey No. 479, Opp. Supreme Estate-1, Zak Kadadara Road, Vill. - Kadadara,
Tal. Dahegam, Gandhinagar, Gujarat 382305 INDIA E-mail: sale@prakashpump.com

Distributor Office for Middle East

PRAKASH PUMP EST

P.O. Box: 20973 Industrial Area Al Ain (United Arab Emirates)
Tel.: +971 3 7222733 Mob.: +971 50 6731283 E-mail: sale@prakashpump.com

Distributor Office for Oman

GLOBAL EQUIPMENT MATERIAL CO. LLC

P.O. Box. 227, Postal Code: 320 Nakhal Road, Barka (Sultanate of Oman)
Tel.: +968 26883982 Mob.: +968 94584686 E-mail: oman@prakashpump.com

Distributor Office for Saudi Arabia

PRAKASH PUMP INDUSTRY

P.O. Box 14327, Bldg. 3616, Al Marwah 6447, Al Mishaal Riyadh City, (Kingdoms of Saudi Arabia)
Sulay Exit 18. Mobile: +966 539811109 Email: saudi@prakashpump.com

Factory Address

PANJI ENGINEERING PVT LTD

Survey No. 479, Opp. Supreme Estate-1, Zak Kadadara Road, Vill. - Kadadara,
Tal. Dahegam, Gandhinagar, Gujarat 382305 INDIA E-mail: sale@prakashpump.com



To get
Quotation by email



PRAKASHPUMPEST

These images given are only for illustration purpose
for further details contact the sales team at
sale@prakashpump.com / oman@prakashpump.com
/ saudi@prakashpump.com



To get
Website

