

# PRAKASH

Quality, Reliability, Life

## Sewage Stainless Steel Pump



[www.prakashpump.com](http://www.prakashpump.com)

# Sewage Stainless Steel Pump



## Applications

- Municipal project, mining, civil engineering
- Industrial & residential building
- Equipment for garden, aquarium, landscape waterfall, water drainage and filtration.

## Application Limits

- Max. liquid temperature : up to 40 °C
- Max. ambient temperature : up to 40 °C
- Max. immersion depth : up to 8 m
- Density of liquid : 1.3g /cm<sup>3</sup>
- Liquid pH value : 4 to 10

## Performance Range

- Flow : up to 115 m<sup>3</sup>/h
- Head : up to 44 m
- Speed : 2900 RPM
- Power : 3.0 - 4.0 KW

## Motor Details

- 2 Pole motor
- 100% Copper winding
- Protection class : IP 68
- Insulation class : F
- Power : 3.0 kW - 4.0 kW
- Power supply : three phase 380-420v, 50Hz
- Cable length : 10 m

## Feature and Benefits

- Non-clogging double vane impeller can pump large solid cove full range of head. water contact parts are all stainless steel, no rust.
- Designed for pumping sewage, waste water, rainwater and living water containing solid grains, various fabric, sludge and solid.

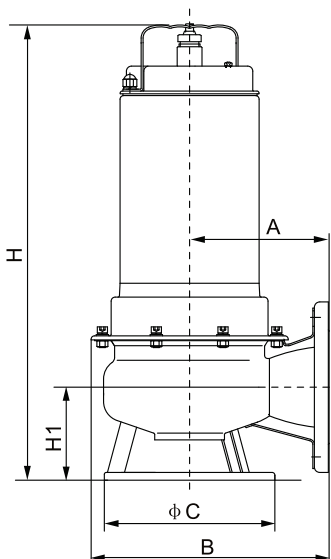
## Installation & Use

This model of pump is characterized with high heads, compact size, light weight and convenient use and vastly used in high-position water delivery, flush and places as construction sites. The float switch can automatically control on and off with the change of the water level. The protection in the motor can automatically cut off the power when it overheats or over current.

## Pump Selection Chart

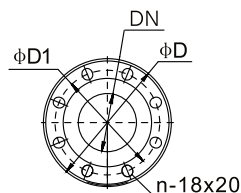
Model	Power		Voltage/ 50Hz	Rated Speed (RPM)	Outlet (Inch)	Guide Rail	Rated		Maximum		Impeller Passage (mm)	Net Weight (Kg)
	KW	HP					Flow (m3/h)	Head (Mtr)	Flow (m3/h)	Head (Mtr)		
PSPSS50-7-3.0	3.0	4.0	380-420v	2900	3"	80-80	50	7	70	17	30	24.3
PSPSS15-32-4.0	4.0	5.5	380-420v	2900	2"	50-50	15	32	35	44	6	37.3
PSPSS75-7-4.0	4.0	5.5	380-420v	2900	4"	100-100	75	7	115	19	52	37.6

## G.A Drawing



## Dimension (mm)

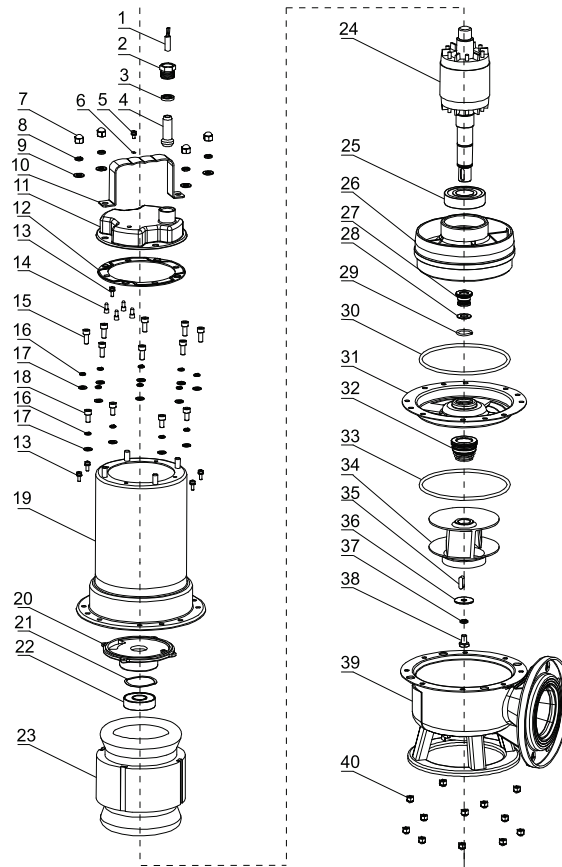
Model	Pump					Flange			
	A	B	C	H	H1	D	D1	DN	n
PSPSS50-7-3.0	145	240	190	546	110	200	160	80	8
PSPSS15-32-4.0	160	287	220	528	100	165	125	50	4
PSPSS75-7-4.0	180	307	220	558	120	220	180	100	8



# Sewage Stainless Steel Pump



## Exploded View



## Material of Construction (MOC)

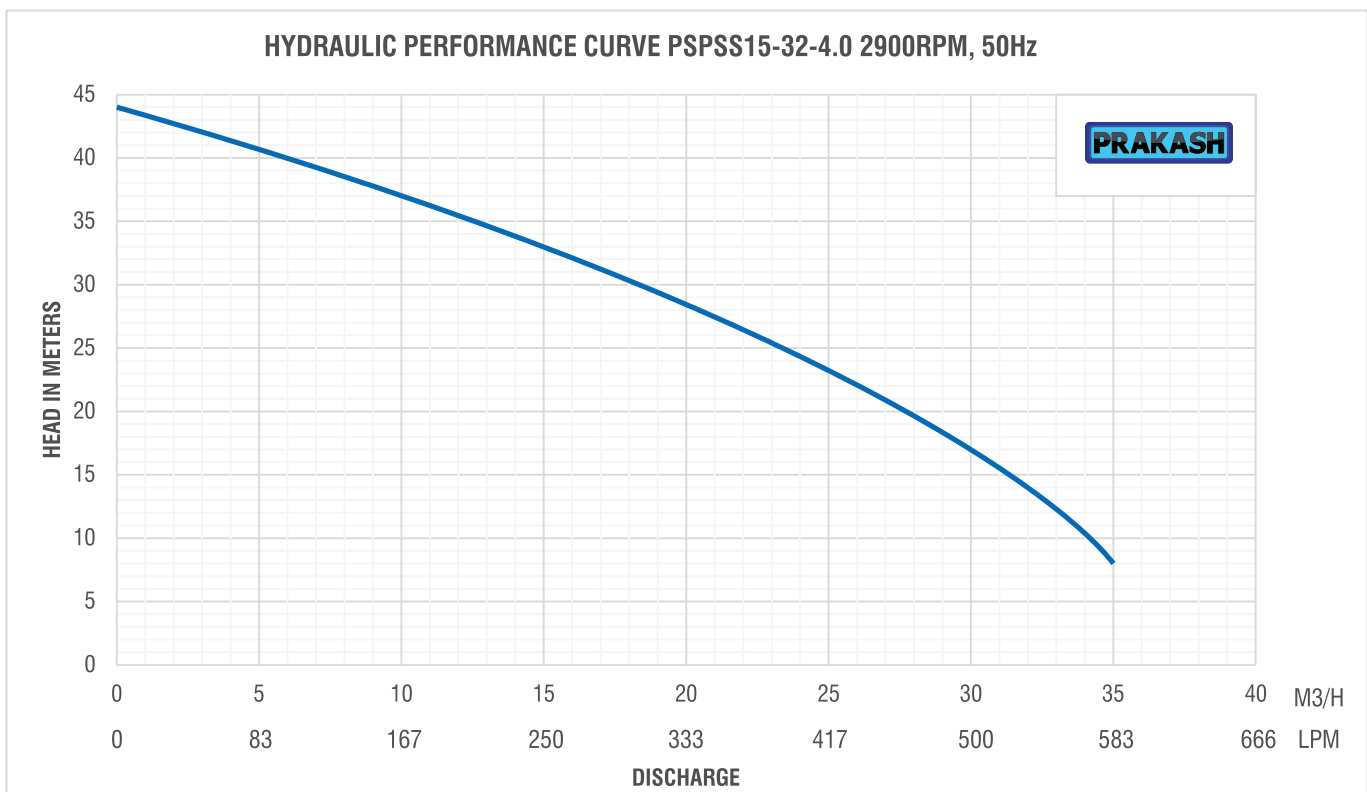
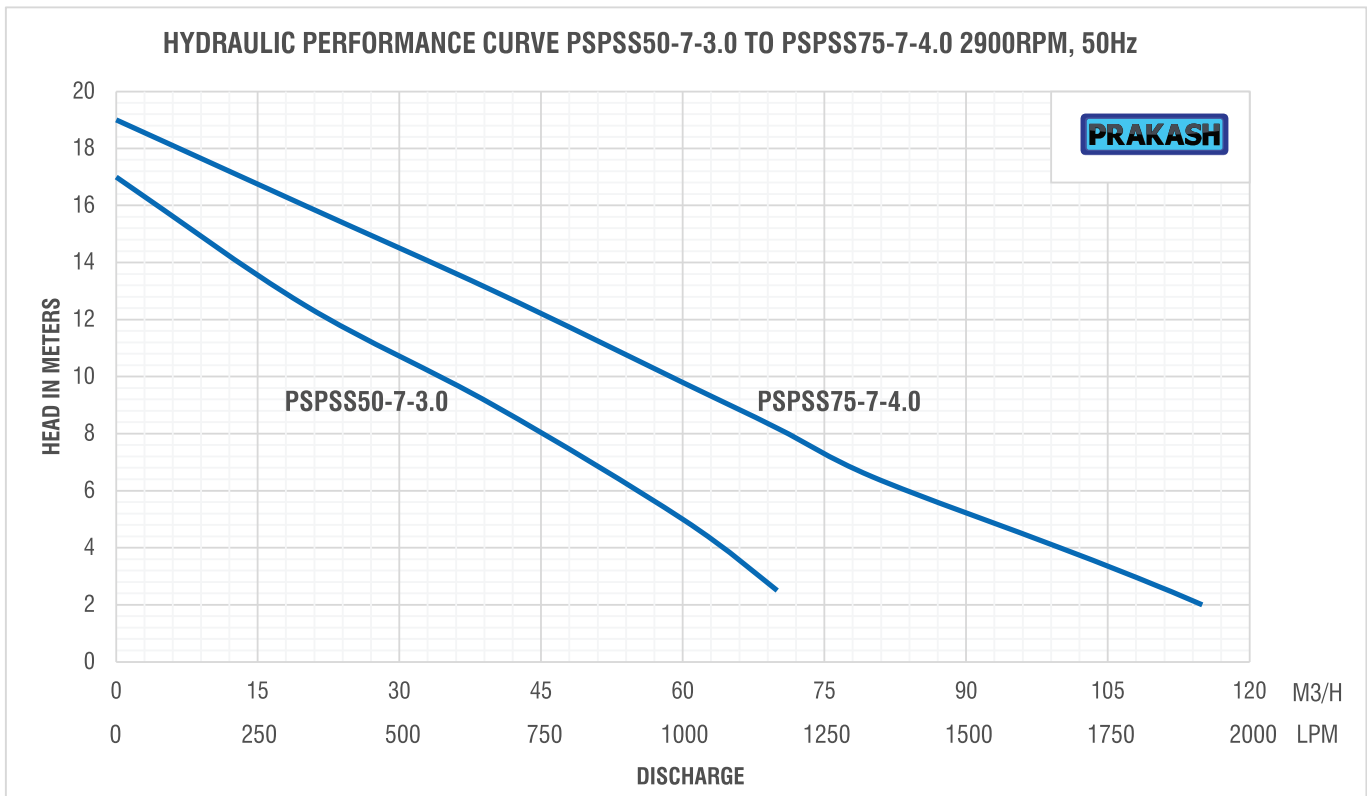
Code	Parts Name	Material	Code	Parts Name	Material
1	Cable	PVC/Copper	21	Wave ring	MS
2	Press nut	SS 304	22	Bearing	Ball bearing
3	Pressure washer	SS 304	23	Stator assembling	
4	Cable head	PVC	24	Rotor assembling	
5	Head screw & washer assembly	SS 304	25	Bearing	Ball bearing
6	O-ring	NBR	26	Front cover	Cast iron
7	Acorn nut	SS 304	27	Mechanical seal	Sic/Viton/SS
8	Spring washer	SS 1045	28	Mechanical seal flat pad	SS 304
9	Washer	SS 304	29	External circlips	MS
10	Handle	SS 304	30	O-ring	NBR
11	Upper cover	SS 304	31	Pump cover	SS 304
12	Upper cover gasket	Rubber	32	Mechanical seal	SS 304
13	screw & washer assembly	SS 304	33	O-ring	NBR
14	Terminal	SS 304	34	Impeller	SS 304
15	Hexagon socket head cap screw	SS 304	35	Key	SS 304
16	Spring washer	SS 1045	36	Washer	SS 304
17	Washer	SS 304	37	Spring washer	SS 1045
18	Hexagon socket head cap screw	SS 304	38	Hexagon bolt	SS 1045
19	Motor Base	SS 304	39	Pump casing	SS 304
20	Rear flange cover	Cast iron	40	Acorn nut	SS 316

# Sewage Stainless Steel Pump



## Performance Chart 2900RPM, 50Hz

Model	Power		Q	US GPM	0	44	88	132	154	176	220	264	308	440	506
	KW	HP		M3/H	0	10	20	30	35	40	50	60	70	100	115
				LPM	0	167	333	500	583	667	834	1000	1167	1667	1920
PSPSS50-7-3.0	3.0	4.0	Head (m)	17	15	12.5	10.5	9.8	9	7	5	2			
PSPSS15-32-4.0	4.0	5.5	Head (m)	44	37	28	18	8							
PSPSS75-7-4.0	4.0	5.5	Head (m)	19	17.5	16	14.5	14	13	11.5	10	8	4	2	





**Office in India**

**PRAKASH PUMP**

Survey No. 479, Opp. Supreme Estate-1, Zak Kadadara Road, Vill. - Kadadara,  
Tal. Dahegam, Gandhinagar, Gujarat 382305 INDIA E-mail: sale@prakashpump.com

**Distributor Office for Middle East**

**PRAKASH PUMP EST**

P.O. Box: 20973 Industrial Area Al Ain (United Arab Emirates)  
Tel.: +971 3 7222733 Mob.: +971 50 6731283 E-mail: sale@prakashpump.com

**Distributor Office for Oman**

**GLOBAL EQUIPMENT MATERIAL CO. LLC**

P.O. Box. 227, Postal Code: 320 Nakhal Road, Barka (Sultanate of Oman)  
Tel.: +968 26883982 Mob.: +968 94584686 E-mail: oman@prakashpump.com

**Distributor Office for Saudi Arabia**

**PRAKASH PUMP INDUSTRY**

P.O. Box 14327, Bldg. 3616, Al Marwah 6447, Al Mishael Riyadh City, (Kingdoms of Saudi Arabia)  
Sulay Exit 18. Mobile: +966 539811109 Email: saudi@prakashpump.com

**Factory Address**

**PANJI ENGINEERING PVT LTD**

Survey No. 479, Opp. Supreme Estate-1, Zak Kadadara Road, Vill. - Kadadara,  
Tal. Dahegam, Gandhinagar, Gujarat 382305 INDIA E-mail: sale@prakashpump.com



To get  
Quotation by email



**PRAKASHPUMPEST**

These images given are only for illustration purpose  
for further details contact the sales team at  
sale@prakashpump.com / oman@prakashpump.com  
/ saudi@prakashpump.com



To get  
Website

