

PRAKASH

Quality, Reliability, Life

Aquarium Pump



www.prakashpump.com

Applications

- Aquarium tank, pond oxygen & filtration
- Small fountain, rockery, waterfall & stream
- Garden, irrigation, other household water circulation system

Performance Range

- Flow : up to 100 LPM (6 m³/h)
- Head : up to 4 m
- Speed : 2900 RPM
- Power : 25 - 100 Watt

Application Limits

- Max. liquid temperature : up to 35 °C
- Max. ambient temperature : up to 40 °C
- Max. immersion depth : up to 2 m

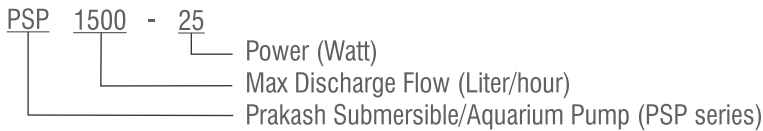
Motor Details

- Power supply : single phase 220-240v, 50Hz
- Protection class : IP X8
- Insulation class : E

Feature and Benefits

- High quality plastic housing, anti-corrosive and durable.
- Motor is epoxy sealed, excellent insulation and safe for use.
- Magnet motor, wear-resistant shaft, long service life.
- Flow rate adjustable.

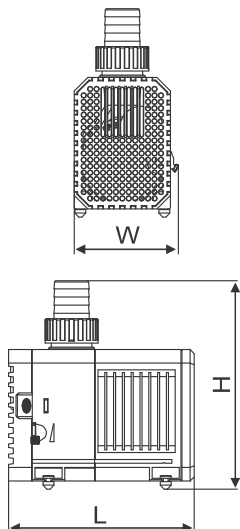
Model Instruction



Pump Selection Chart

Model	Power (Watt)	Cable (mm ² / Mtr)	Voltage (50Hz)	Outlet (inch)	Max. Flow (LPM)	Max. Head (Mtr)	Net Weight (Kg)
PSP1500-25	25	2Cx0.5 / 1.5m	220-240v	1/2", 5/8", 3/4"	25	1.8	0.6
PSP3000-55	55	3Cx0.75 / 2.5m	220-240v	1/2", 3/4", 1"	50	3.0	1.25
PSP6000-100	100	3Cx0.75 / 2.5m	220-240v	3/4", 1", 1 1/4"	100	4.0	2.3

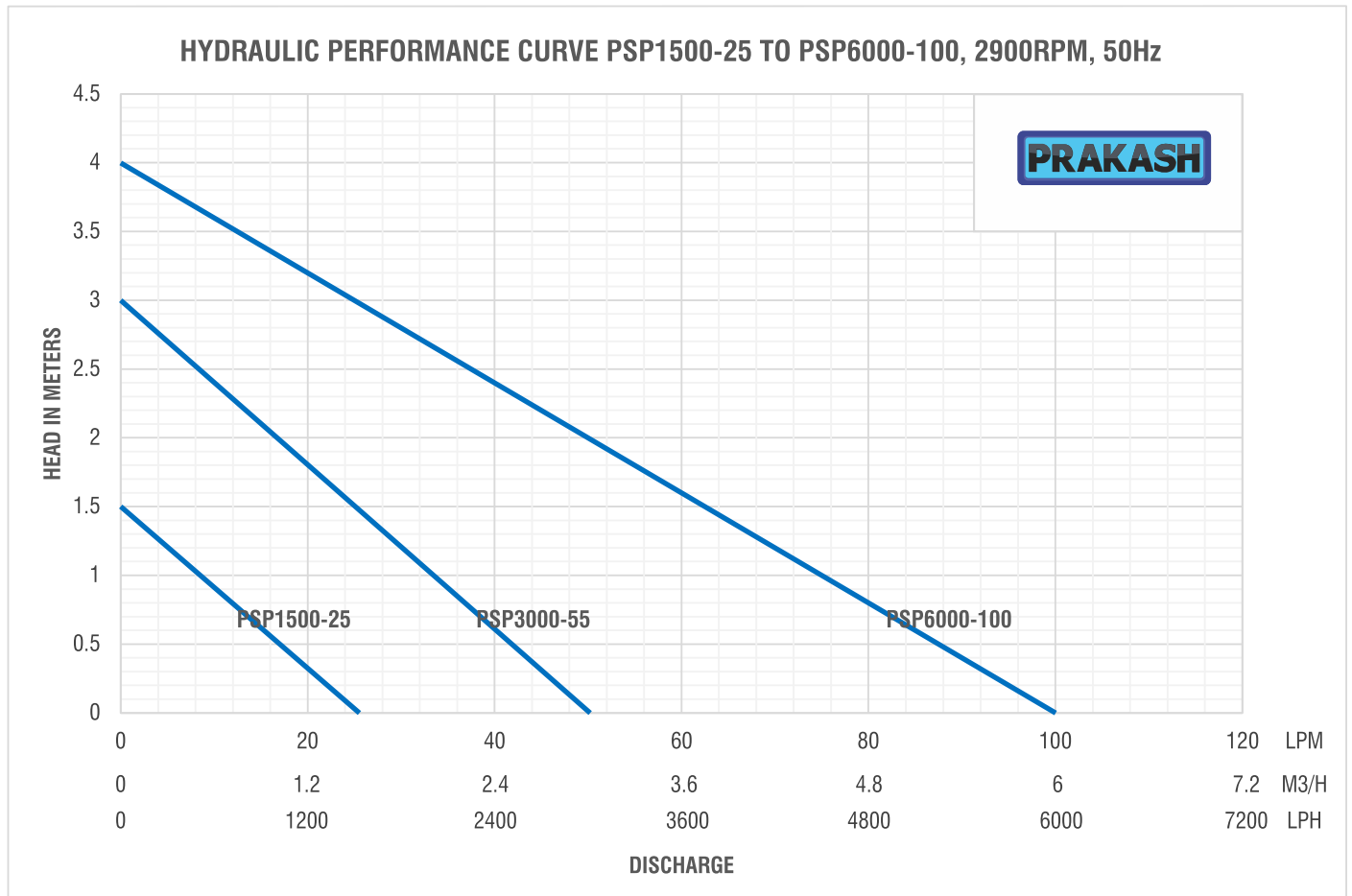
G.A Drawing



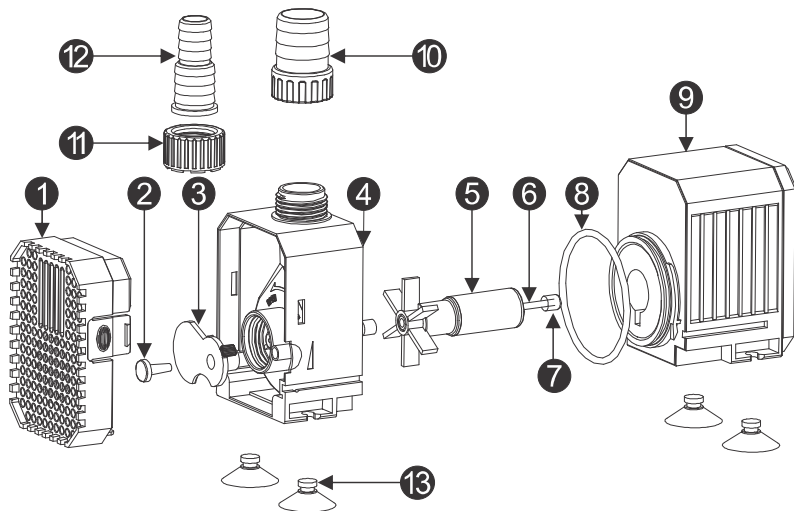
Dimension (mm)

Model	L	W	H
PSP1500-25	105	58	120
PSP3000-55	137	77	154
PSP6000-100	165	95	171

Pump Performance Chart



Exploded View



Material of Construction (MOC)

Code	Parts Name	Material	Code	Parts Name	Material
1	Filter basket	ABS	8	O-ring	Rubber
2	Fastening	ABS	9	Motor body	Epoxy resin / Copper / ABS
3	Adjuster	ABS	10	Outlet 1	ABS
4	Pump housing	ABS	11	Outlet nut	ABS
5	Rotor Subassembly	Magnet	12	Outlet 2	ABS
6	Shaft	Ceramics	13	Foundation cups	Rubber
7	Bearing	Rubber			

PRAKASH

Office in India

PRAKASH PUMP

Survey No. 479, Opp. Supreme Estate-1, Zak Kadadara Road, Vill. - Kadadara,
Tal. Dahegam, Gandhinagar, Gujarat 382305 INDIA E-mail: sale@prakashpump.com

Distributor Office for Middle East

PRAKASH PUMP EST

P.O. Box: 20973 Industrial Area Al Ain (United Arab Emirates)
Tel.: +971 3 7222733 Mob.: +971 50 6731283 E-mail: sale@prakashpump.com

Distributor Office for Oman

GLOBAL EQUIPMENT MATERIAL CO. LLC

P.O. Box. 227, Postal Code: 320 Nakhal Road, Barka (Sultanate of Oman)
Tel.: +968 26883982 Mob.: +968 94584686 E-mail: oman@prakashpump.com

Distributor Office for Saudi Arabia

PRAKASH PUMP INDUSTRY

P.O. Box 14327, Bldg. 3616, Al Marwah 6447, Al Mishael Riyadh City, (Kingdoms of Saudi Arabia)
Sulay Exit 18. Mobile: +966 539811109 Email: saudi@prakashpump.com

Factory Address

PANJI ENGINEERING PVT LTD

Survey No. 479, Opp. Supreme Estate-1, Zak Kadadara Road, Vill. - Kadadara,
Tal. Dahegam, Gandhinagar, Gujarat 382305 INDIA E-mail: sale@prakashpump.com



To get
Quotation by email



PRAKASHPUMPEST

These images given are only for illustration purpose
for further details contact the sales team at
sale@prakashpump.com / oman@prakashpump.com
/ saudi@prakashpump.com



To get
Website

