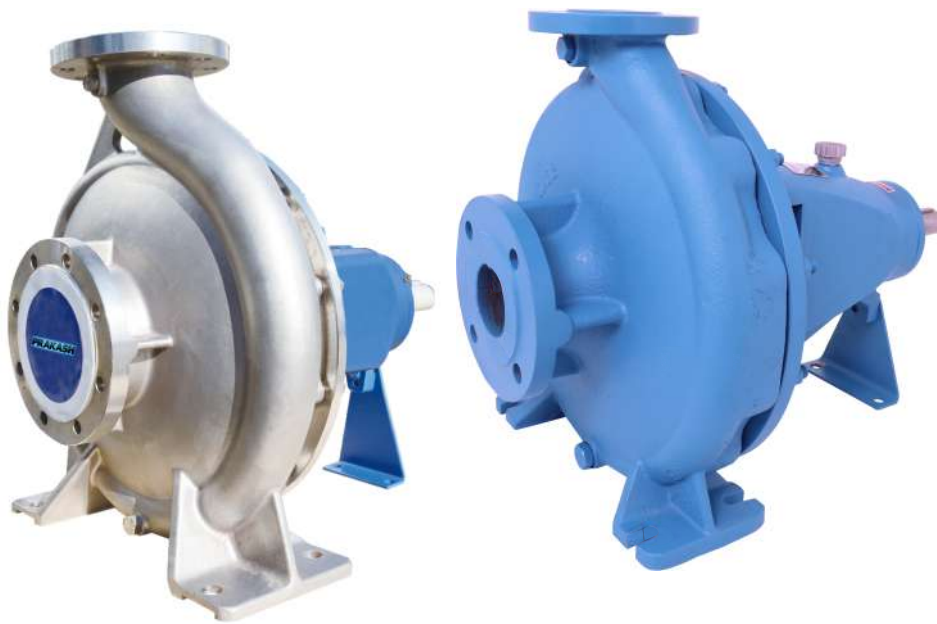




Quality, Reliability, Life

# End Suction Centrifugal Pump



[www.prakashpump.com](http://www.prakashpump.com)

## Applications

- Hot & cold water circulation
- HVAC and Cooling Tower
- Marine - Ballasting & Bilge
- Booster and Pressurization Set
- Irrigation and agriculture
- Water supply and drainage
- Food and chemical industry (with stainless steel material)
- Fire Protection & Fighting
- Factory Pumping

## Performance Range

<b>Flow Rate (Q)</b>	4-1584 m <sup>3</sup> /h
<b>Head (H)</b>	2-162m
<b>Speed</b>	1450 or 2900 rpm (50Hz) /1750 or 3500 rpm (60Hz)
<b>Max liquid temp</b>	85°C(standard) ; 105°C(on request)
<b>Working Pressure</b>	1.0 MPa standard ; 1.6 MPa on request
<b>Conveying Medium</b>	Clean water or liquids similar to clean water in physical property

## Motor Details

- Speed : 1450 & 2900 RPM (upon request 1750 & 3500 RPM)
- Insulation Class-F & B
- Protection Class-IP54 & IP55
- Duty - S1
- Power Supply : Single Phase 220-240V, 50Hz (upon request 60Hz)  
Three Phase 380-420V, 50Hz (upon request 60Hz)

## Installation and use

Prakash PEP series end suction centrifugal pumps are designed complying to BS EN733 / DIN24255 standard. This Series of pumps are frame mounted pumps coupled with electric motors by flexible type of coupling and have a great advantages in interchangeable parts, high quality and low cost, wide applications in fire-fighting systems, air-condition systems, water treatment plants, water transport and supply.

## Model Instruction



## Material Code

Material Code  
 C: Cast Iron  
 Q: Ductile Iron  
 B: Brass  
 S: ASTM 420  
 45: ASTM 1045  
 S304: ASTM 304  
 S316: ASTM 316

- **Bearing Frame Code**  
 H: Bearing frame for double-row bearing  
 G: Bigger shaft and bearing frame  
 Default: Standard
- **Seal Type**  
 M: Mechanical Seal  
 P: Gland Packing

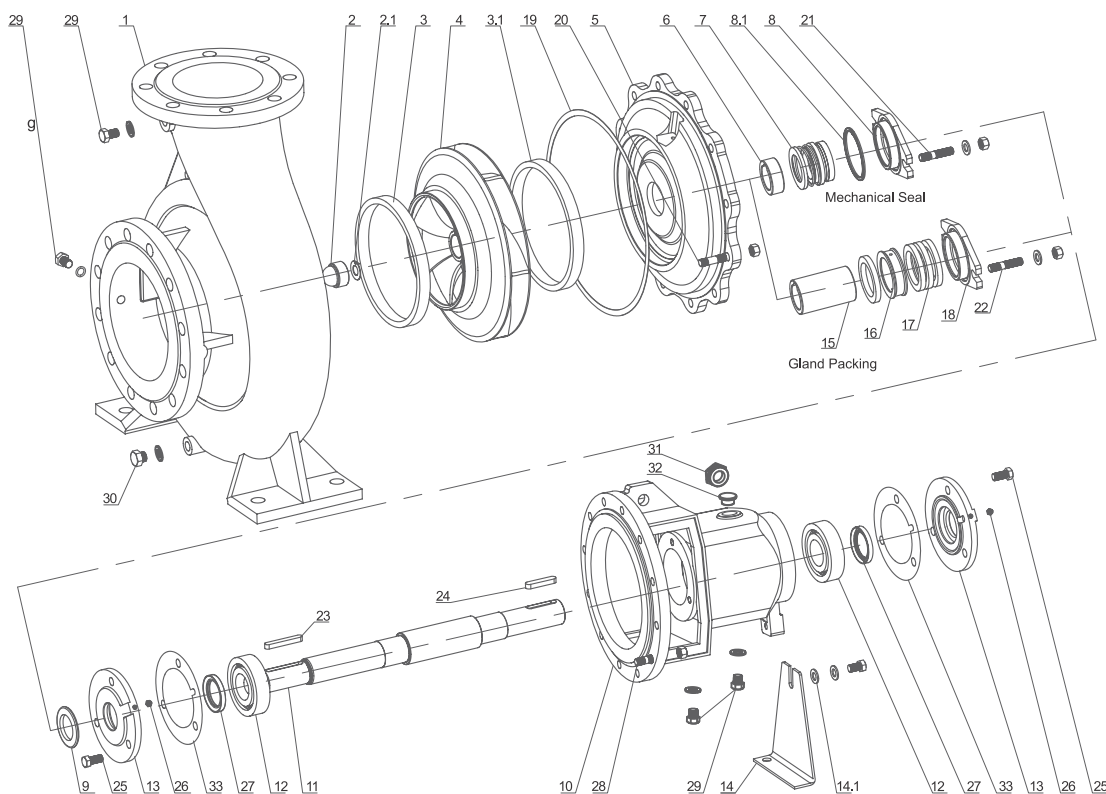
## Design & Structure

<b>Design</b>	Performance and dimensions referring to the European standard BS EN733 / DIN24255
<b>Structure</b>	Horizontal, Axial End-Suction, Single-Stage, Single-Suction, Volute Casing, Back pull-out
<b>DN (mm)</b>	32-300
<b>Flange</b>	DIN2501 PN16 GB /T17241.6 PN1.6

# End Suction Centrifugal Pump



## Exploded View



## Material of Construction (MOC)

Code	Part name	Material	Code	Part name	Material
1	Casing	Cast iron HT200	16	Packing Seal Cage Throat Bushing	Brass
2	Impeller nut	SS304	17	Gland Packing	Graphite packing
2.1	Lock washer	SS304	18	Gland Cover	Ductile iron QT400-15
3	Wear Ring (Front)	Cast iron HT250	19	Casing Gasket	Green shell paper/NBR
3.1	Wear Ring (Back)	Cast iron HT250	20	Stud Bolt	Medium carbon steel /SS1035
4	Impeller	SS304	21	Stud Bolt	Medium carbon steel /SS1035
5	Casing cover	Cast iron HT200	22	Stud Bolt	Medium carbon steel /SS1035
6	Shaft Spacer	SS304	23	Key	SS1045
7	Mechanical Seal	Sic-carbide/carbon/viton (MG2)	24	Key	SS1045
8	Seal Cover	Ductile iron QT400-15	25	Screw Bolt	Medium carbon steel /SS1035
8.1	O-Ring	Fluorine/Viton Rubber	26	Oil Cup	Brass
9	Rubber Slinger	NBR	27	Felting Oil Seal	Rubber
10	Bearing Frame	Cast iron HT200	28	Stud Bolt	Medium carbon steel /SS1035
11	Shaft	SS420	29	Plug	Mild steel
12	Bearing	NTN/NSK	30	Plug	Mild steel
13	Bearing Cover	Cast iron HT200	31	Oil Scale	Plastic
14	Support Foot	Mild steel	32	Oil Cover	Aluminum alloy
14.1	Flat Washer	Mild steel	33	Throat Bushing Gasket	Green shell paper
15	Packing sleeve	SS420			

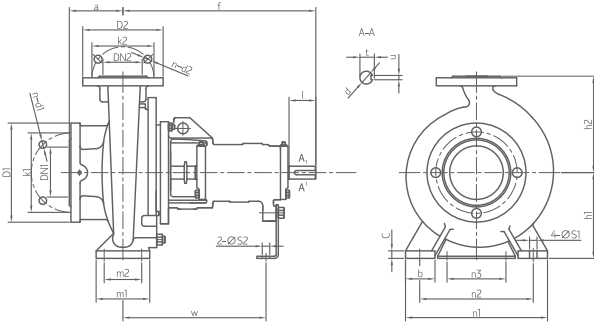
## Material

Part	Standard Material	Option / on request
<b>Casting</b>	Cast Iron	Ductile Iron / ASTM304 / ASTM316
<b>Impeller</b>	ASTM304	Brass / Cast Iron /ASTM316
<b>Shaft</b>	ASTM420	ASTM304 / ASTM316 / ASTM1045
<b>Shaft Seal</b>	Mechanical Seal	Gland Packing

# End Suction Centrifugal Pump



## Flange Dimensions (IS07005.2 DIN2501 PN16 GB/T17241.6 PN1.6)

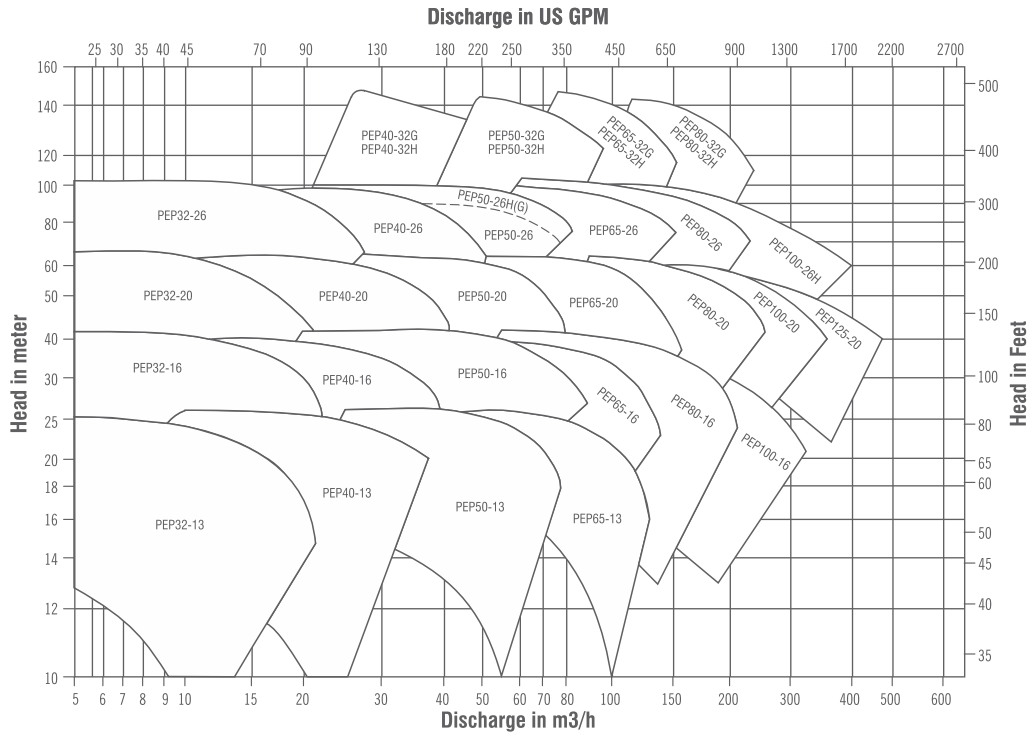


<b>DN1/DN2</b>	32	40	50	65	80	100
<b>D1/D2</b>	140	150	165	185	200	220
<b>K1/K2</b>	100	110	125	145	160	180
<b>n-d1/n-d2</b>	4-Ø18	4-Ø18	4-Ø18	4-Ø18	8-Ø18	8-Ø18

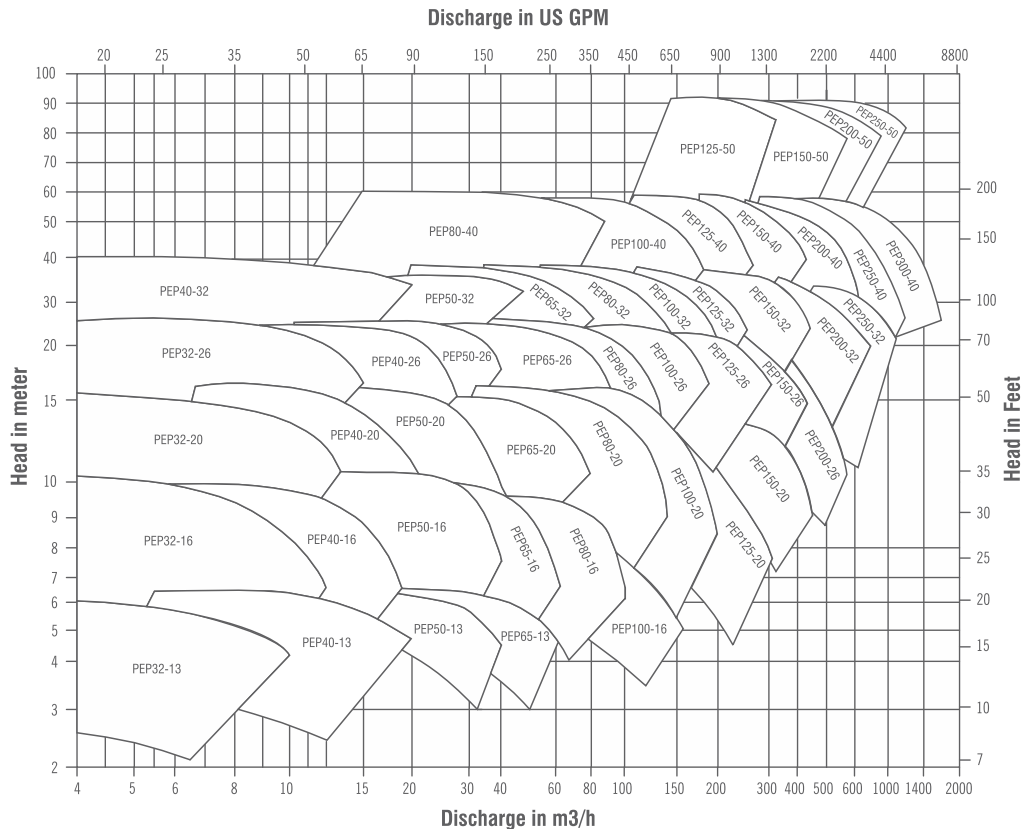
<b>DN1/DN2</b>	125	150	200	250	300	350
<b>D1/D2</b>	250	285	340	405	460	520
<b>K1/K2</b>	210	240	295	355	410	470
<b>n-d1/n-d2</b>	8-Ø18	8-Ø22	12-Ø22	12-Ø26	12-Ø26	16-Ø26

Model	Bearing Inner Dia.	DN2	DN1	a	f	h1	h2	b	c	n3	m1	m2	n1	n2	S1	S2	w	d	l	t	u	Weight (kg)																						
PEP32-13	25	32	50	80	360	112	140	50	14	100	100	70	190	140	14		267	24	50	27	8	29																						
PEP32-16						132	160						240	190								35																						
PEP32-20						160	180						320	250								47																						
PEP32-26				180	225	65	210	160			58																																	
PEP40-13				112	140	100	240	190			31																																	
PEP40-16		132	160	100	240	190	34																																					
PEP40-20		160	180	100	265	212	45																																					
PEP40-26(H)		180	225	110	320	250	61																																					
PEP40-32		200	250	125	345	280	94																																					
PEP40-32(H)		200	250	125	345	280	107																																					
PEP40-32G	45	65	125	526	200	250	105																																					
PEP50-13	25	50	65	100	360	132	160	50	14	100	100	70	240	190	14		267	24	50	27	8	35																						
PEP50-16						160	180						265	212								39																						
PEP50-20						160	200						110	240								190	49																					
PEP50-26(H)				180	225	125	320	250			68																																	
PEP50-26G				35	125	470	225	280			18	65																																
PEP50-32(H)		45	50	125	526	225	280	18		113																																		
PEP50-32G		45	50	125	526	225	280	18		105																																		
PEP65-13		25	65	80	100	360	160	180		65	14	125	95	280								212	14		367	42	110	45	12	105	41													
PEP65-16							160	200														320									250	47												
PEP65-20(H)							180	225														110									320	250	55											
PEP65-20G	45				65	125	465	180	225	18			60																															
PEP65-26	35				100	470	200	250	80	15			87																															
PEP65-32(H)	45		100	470	225	280	18	18	110																																			
PEP65-32G	45		100	525	225	280	18	18	120																																			
PEP80-16	35		80	100	125	360	180	225	65	14		125	95	320	250	14		267	24	50	27	8									53	76												
PEP80-20							180	250							345																	280	76											
PSP80-26							470	200							280																	400	315	18	118									
PEP80-32(H)		526			250	315	80	16	16		130																																	
PEP80-32G		45			100	526	280	355	83		18		160																															
PEP80-40		45	100	530	280	355	83	18	160																																			
PEP100-16		35	100	125	140	470	200	250	80		14	160	120	360	280								18		342	32	80	35	10	118		87												
PEP100-20							225	280							400																	315	110	95	320	250	95	53						
PEP100-32							250	315							400																	315	118											
PEP100-40					530	280	355	100	20				160	120	440																	340	18	130										
PEP125-20	35				125	150	530	280	355	18			370	42	110	45	12	160																										
PEP125-26	45		125	150	530	315	400	18	370	42		110	45	12	160																													
PEP125-32	45		150	200	160	530	280	355	100	18		200	150	500	400	23		370	42	110	45	12									176	112												
PEP125-40							315	400							550																	450	112											
PEP125-50							670	375							500																	25	300											
PEP150-20					35	150	200	500	280				400	18	342																	32	80	35	10	132								
PEP150-26		45			150	200	500	280	400		18		342	32	80								35	10	132																			
PEP150-32		55	200	250	180	530	250	355	100		18	200	150	450	350								23		370	42	110	45	12	170		163												
PEP150-40							315	450							550																	450	207											
PEP150-50							670	375							500																	22	330											
PEP200-26					45	200	250	555	315				450	150	26																	110	250	200	660	510	28	14	515	60	140	64	18	550
PEP200-32					55	200	250	670	315				480	120	20																	140	200	150	660	560	23	19	525	60	140	64	18	450
PEP200-40	55		200	250	670	335	480	120	20	140		250	190	760	660	30	19	516	60	140	64	18									366													
PEP250-50	65		250	300	720	425	560	100	22	140		240	190	750	650	23	19	515	60	140	64	18									550													
PEP250-32	55		250	300	220	691	355	520	150	26		110	250	200	660	510	28	14	516	60	140	64									18	396												
PEP250-40						682	400	560	150	26		110	250	200	660	510	28	14	516	60	140	64									18	550												
PEP250-50						720	450	670	120	32		140	240	190	750	650	23	19	515	60	140	64									18	550												
PEP300-40	65	300	350	300	720	425	670	120	30	140	250	190	760	660	30	19	515	60	140	64	18	550																						

## HYDRAULIC PERFORMANCE CURVE PEP 2900RPM 50Hz



## HYDRAULIC PERFORMANCE CURVE PEP 1450RPM 50Hz



Performance to ISO9906 Grade for clean cold water only

# PRAKASH

Office in India

## PRAKASH PUMP

Survey No. 479, Opp. Supreme Estate-1, Zak Kadadara Road, Vill. - Kadadara,  
Tal. Dahegam, Gandhinagar, Gujarat 382305 INDIA E-mail: sale@prakashpump.com

Distributor Office for Middle East

## PRAKASH PUMP EST

P.O. Box: 20973 Industrial Area Al Ain (United Arab Emirates)  
Tel.: +971 3 7222733 Mob.: +971 50 6731283 E-mail: sale@prakashpump.com

Distributor Office for Oman

## GLOBAL EQUIPMENT MATERIAL CO. LLC

P.O. Box. 227, Postal Code: 320 Nakhal Road, Barka (Sultanate of Oman)  
Tel.: +968 26883982 Mob.: +968 94584686 E-mail: oman@prakashpump.com

Distributor Office for Saudi Arabia

## PRAKASH PUMP INDUSTRY

P.O. Box 14327, Bldg. 3616, Al Marwah 6447, Al Mishael Riyadh City, (Kingdoms of Saudi Arabia)  
Sulay Exit 18. Mobile: +966 539811109 Email: saudi@prakashpump.com

Factory Address

## PANJI ENGINEERING PVT LTD

Survey No. 479, Opp. Supreme Estate-1, Zak Kadadara Road, Vill. - Kadadara,  
Tal. Dahegam, Gandhinagar, Gujarat 382305 INDIA E-mail: sale@prakashpump.com



To get  
Quotation by email



## PRAKASHPUMPEST

These images given are only for illustration purpose  
for further details contact the sales team at  
sale@prakashpump.com / oman@prakashpump.com  
/ saudi@prakashpump.com



To get  
Website

