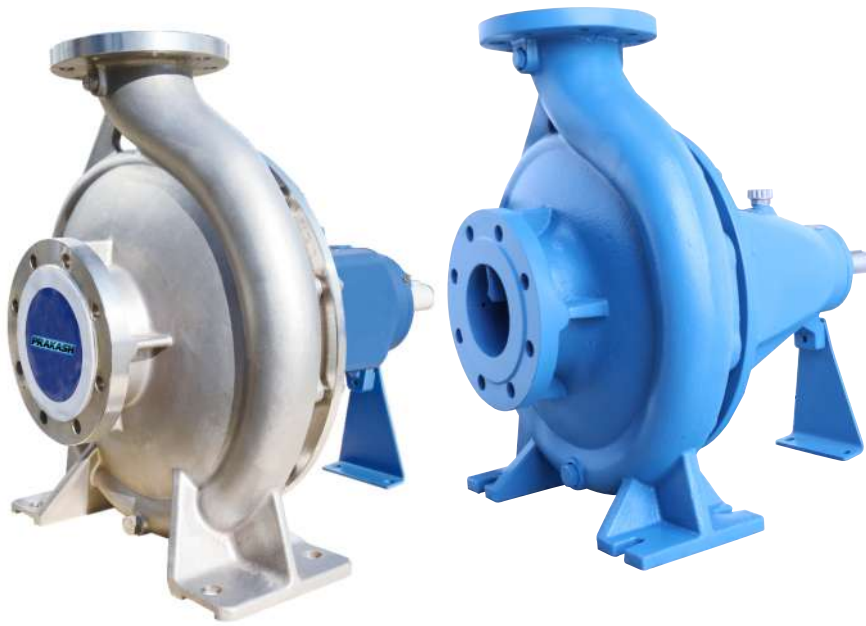


PRAKASH

Quality, Reliability, Life

End Suction Centrifugal Pump



www.prakashpump.com

Applications

- Hot & cold water circulation
- HVAC and Cooling Tower
- Marine - Ballasting & Bilge
- Booster and Pressurization Set
- Irrigation and agriculture
- Water supply and drainage
- Food and chemical industry (with stainless steel material)
- Fire Protection & Fighting
- Factory Pumping

Motor Details

- Speed : 1450 & 2900 RPM (upon request 1750 & 3500 RPM)
- Insulation Class-F & B
- Protection Class-IP54 & IP55
- Duty - S1
- Power Supply : Single Phase 220-240V, 50Hz (upon request 60Hz)
Three Phase 380-420V, 50Hz (upon request 60Hz)

Performance Range

Flow Rate (Q)	4-1584 m ³ /h
Head (H)	2-162m
Speed	1450 or 2900 rpm (50Hz) /1750 or 3500 rpm (60Hz)
Max liquid temp	85°C(standard) ; 105°C(on request)
Working Pressure	1.0 MPa standard ; 1.6 MPa on request
Conveying Medium	Clean water or liquids similar to clean water in physical property

Installation and use

Prakash PEP series end suction centrifugal pumps are designed complying to BS EN733 / DIN24255 standard. This Series of pumps are frame mounted pumps coupled with electric motors by flexible type of coupling and have a great advantages in interchangeable parts, high quality and low cost, wide applications in fire-fighting systems, air-condition systems, water treatment plants, water transport and supply.

Model Instruction



Material Code

Material Code
 C: Cast Iron
 Q: Ductile Iron
 B: Brass
 S: ASTM 420
 45: ASTM 1045
 S304: ASTM 304
 S316: ASTM 316

- **Bearing Frame Code**
 H: Bearing frame for double-row bearing
 G: Bigger shaft and bearing frame
 Default: Standard
- **Seal Type**
 M: Mechanical Seal
 P: Gland Packing

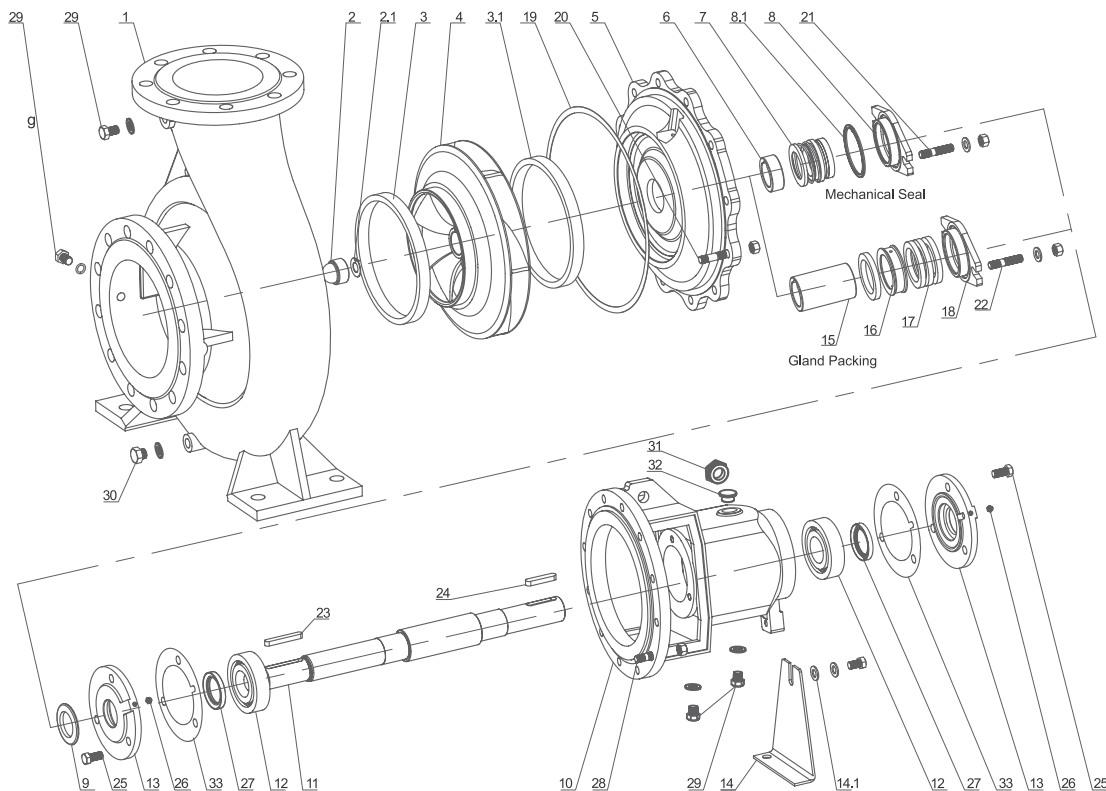
Design & Structure

Design	Performance and dimensions referring to the European standard BS EN733 / DIN24255
Structure	Horizontal, Axial End-Suction, Single-Stage, Single-Suction, Volute Casing, Back pull-out
DN (mm)	32-300
Flange	DIN2501 PN16 GB /T17241.6 PN1.6

End Suction Centrifugal Pump



Exploded View



Material of Construction (MOC)

Code	Part name	Material	Code	Part name	Material
1	Casing	Cast iron HT200	16	Packing Seal Cage Throat Bushing	Brass
2	Impeller nut	SS304	17	Gland Packing	Graphite packing
2.1	Lock washer	SS304	18	Gland Cover	Ductile iron QT400-15
3	Wear Ring (Front)	Cast iron HT250	19	Casing Gasket	Green shell paper/NBR
3.1	Wear Ring (Back)	Cast iron HT250	20	Stud Bolt	Medium carbon steel /SS1035
4	Impeller	SS304	21	Stud Bolt	Medium carbon steel /SS1035
5	Casing cover	Cast iron HT200	22	Stud Bolt	Medium carbon steel /SS1035
6	Shaft Spacer	SS304	23	Key	SS1045
7	Mechanical Seal	Sic-carbide/carbon/viton (MG2)	24	Key	SS1045
8	Seal Cover	Ductile iron QT400-15	25	Screw Bolt	Medium carbon steel /SS1035
8.1	O-Ring	Fluorine/Viton Rubber	26	Oil Cup	Brass
9	Rubber Slinger	NBR	27	Felting Oil Seal	Rubber
10	Bearing Frame	Cast iron HT200	28	Stud Bolt	Medium carbon steel /SS1035
11	Shaft	SS420	29	Plug	Mild steel
12	Bearing	NTN/NSK	30	Plug	Mild steel
13	Bearing Cover	Cast iron HT200	31	Oil Scale	Plastic
14	Support Foot	Mild steel	32	Oil Cover	Aluminum alloy
14.1	Flat Washer	Mild steel	33	Throat Bushing Gasket	Green shell paper
15	Packing sleeve	SS420			

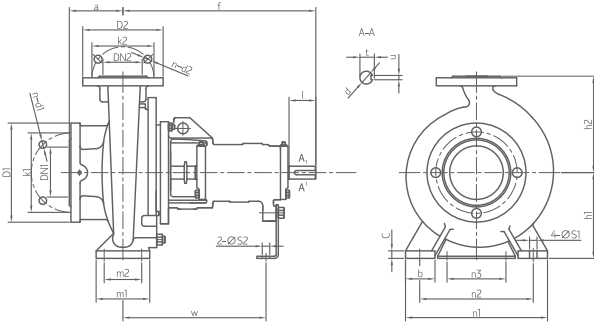
Material

Part	Standard Material	Option / on request
Casting	Cast Iron	Ductile Iron / ASTM304 / ASTM316
Impeller	ASTM304	Brass / Cast Iron /ASTM316
Shaft	ASTM420	ASTM304 / ASTM316 / ASTM1045
Shaft Seal	Mechanical Seal	Gland Packing

End Suction Centrifugal Pump



Flange Dimensions (IS07005.2 DIN2501 PN16 GB/T17241.6 PN1.6)

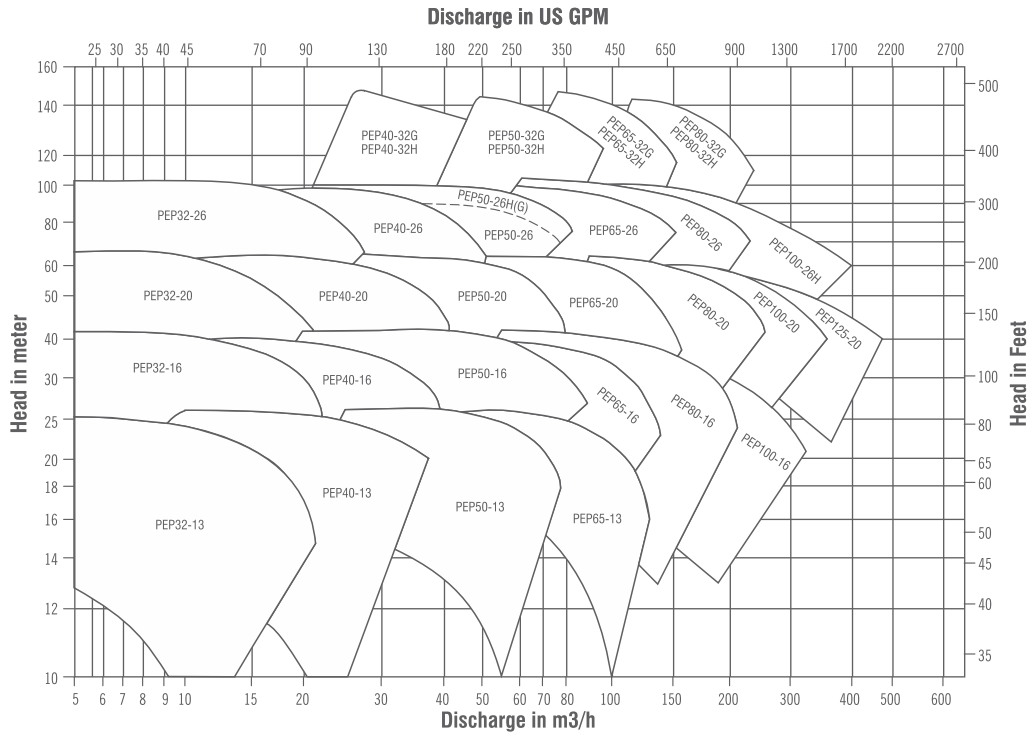


DN1/DN2	32	40	50	65	80	100
D1/D2	140	150	165	185	200	220
K1/K2	100	110	125	145	160	180
n-d1/n-d2	4-Ø18	4-Ø18	4-Ø18	4-Ø18	8-Ø18	8-Ø18

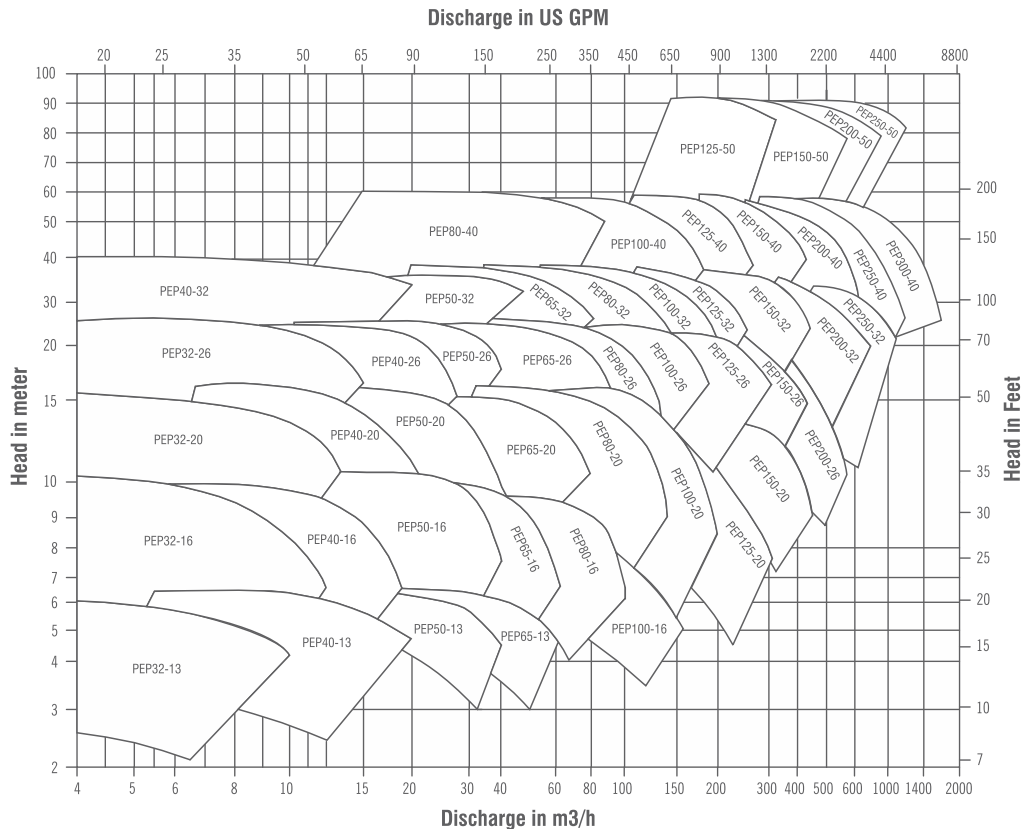
DN1/DN2	125	150	200	250	300	350
D1/D2	250	285	340	405	460	520
K1/K2	210	240	295	355	410	470
n-d1/n-d2	8-Ø18	8-Ø22	12-Ø22	12-Ø26	12-Ø26	16-Ø26

Model	Bearing Inner Dia.	DN2	DN1	a	f	h1	h2	b	c	n3	m1	m2	n1	n2	S1	S2	w	d	l	t	u	Weight (kg)																						
PEP32-13	25	32	50	80	360	112	140	50	14	100	100	70	190	140	14		267	24	50	27	8	29																						
PEP32-16						132	160						240	190								35																						
PEP32-20						160	180						320	250								47																						
PEP32-26						180	225						65	210								160	58																					
PEP40-13						112	140						240	190								31																						
PEP40-16		132	160	240	190	34																																						
PEP40-20		160	180	265	212	45																																						
PEP40-26(H)		180	225	320	250	61																																						
PEP40-32		200	250	125	95	345	280	94																																				
PEP40-32(H)		200	250					107																																				
PEP40-32G	526	200	250	280	105																																							
PEP50-13	25	50	65	100	360	132	160	50	14	100	100	70	240	190	14		267	24	50	27	8	35																						
PEP50-16						160	180						265	212								39																						
PEP50-20						160	200						320	250								49																						
PEP50-26(H)						180	225						65	210								160	68																					
PEP50-26G						180	225						65	320								250	65																					
PEP50-32(H)		470	200	250	345	280	113																																					
PEP50-32G		470	225	280	345	280	105																																					
PEP50-32G		45	50	65	125	526	225	280		18	125	95	345	280								367	42	110	45	12	105																	
PEP65-13		25	65	80	100	360	160	180		65	14	125	95									280	212	14		267	24	50	27	8	41													
PEP65-16							160	200														320	250								47													
PEP65-20(H)	465						180	225	320						250	55																												
PEP65-20G	465						180	225	320						250	60																												
PEP65-26	470						200	250	360						280	87																												
PEP65-32(H)	470		225	280	80	18	110																																					
PEP65-32G	45		525	225	280	18	120	400	315	18		367	42	110	45	12	120																											
PEP80-16	35		80	100	125	360	180	225	65	14		125	95		320	250	14		267	24	50	27	8								53													
PEP80-20							180	250							345	280															76													
PSP80-26							470	200							280	400															315	95	342	32	80	35	10	95						
PEP80-32(H)		526					250	315			80				16	118																												
PEP80-32G		526					250	315			80				16	118																												
PEP80-40		45	530	280	355	83	18	367	42		110	45	12	130																														
PEP100-16		35	100	125	140	470	200	250	80		15	160	120		360	280								18		342	32	80	35	10	87													
PEP100-20							225	280	80		16				360	280															84													
PEP100-26(H)							225	280	80		16				400	315															102													
PEP100-32							250	315	80		16				400	315															118													
PEP100-40	45						530	280	355	100	20				370	42	110	45	12	176																								
PEP125-20	45		125	150	160	530	250	315	80	16	160	120	400	315	18		342	32	80	35	10	112																						
PEP125-26							250	355						80								16	360								280	117												
PEP125-32							280	355						18								500	400								155													
PEP125-40							315	400						25								550	450								178													
PEP125-50							670	355						450								500	48								110	51	14	300										
PEP150-20		45	150	200	180	500	280	400	100		18	200	150	450								350	23		342	32	80	35	10	132														
PEP150-26							250	355														100								400	315	163												
PEP150-32							280	400														18								370	42	110	45	12	170									
PEP150-40							315	450														22								500	48	110	51	14	207									
PEP150-50							670	375														500								500	48	110	51	14	330									
PEP200-26	55		200	250	180	555	315	450	120	20		220	170	600	480	28		392	42	110	45	12								219														
PEP200-32							315	480							120															220	250	170	600	480	286									
PEP200-40							335	480							20															505	48	110	51	14	328									
PEP200-50							720	425							560															100	22	140	200	150	660	560	23	19	515	60	140	64	18	450
PEP250-32							691	355							520															150	26	110	250	200	660	510	28	14	525	48	110	51	14	366
PEP250-40		682	400	560	150	26	110	240	190		750	650	23	19	516								48	110	51	14	396																	
PEP250-50		720	450	670	120	32	140	240	190		750	650	23	19	515								60	140	64	18	550																	
PEP300-40		720	425	670	120	30	140	250	190		760	660	30	19	515								60	140	64	18	550																	

HYDRAULIC PERFORMANCE CURVE PEP 2900RPM 50Hz



HYDRAULIC PERFORMANCE CURVE PEP 1450RPM 50Hz



Performance to ISO9906 Grade for clean cold water only

PRAKASH

Office in India

PRAKASH PUMP

Survey No. 479, Opp. Supreme Estate-1, Zak Kadadara Road, Vill. - Kadadara,
Tal. Dahegam, Gandhinagar, Gujarat 382305 INDIA E-mail: sale@prakashpump.com

Distributor Office for Middle East

PRAKASH PUMP EST

P.O. Box: 20973 Industrial Area Al Ain (United Arab Emirates)
Tel.: +971 3 7222733 Mob.: +971 50 6731283 E-mail: sale@prakashpump.com

Distributor Office for Oman

GLOBAL EQUIPMENT MATERIAL CO. LLC

P.O. Box. 227, Postal Code: 320 Nakhal Road, Barka (Sultanate of Oman)
Tel.: +968 26883982 Mob.: +968 94584686 E-mail: oman@prakashpump.com

Distributor Office for Saudi Arabia

PRAKASH PUMP INDUSTRY

P.O. Box 14327, Bldg. 3616, Al Marwah 6447, Al Mishael Riyadh City, (Kingdoms of Saudi Arabia)
Sulay Exit 18. Mobile: +966 539811109 Email: saudi@prakashpump.com

Factory Address

PANJI ENGINEERING PVT LTD

Survey No. 479, Opp. Supreme Estate-1, Zak Kadadara Road, Vill. - Kadadara,
Tal. Dahegam, Gandhinagar, Gujarat 382305 INDIA E-mail: sale@prakashpump.com



To get
Quotation by email



PRAKASHPUMPEST

These images given are only for illustration purpose
for further details contact the sales team at
sale@prakashpump.com / oman@prakashpump.com
/ saudi@prakashpump.com



To get
Website

