



Quality, Reliability, Life

Window Mount Ventilating Fan / Exhaust Fan 6" & 8"



Ball Bearing
for Longer Lifetime



www.prakashpump.com

Applications

- Bathroom
- Kitchen
- Bedroom
- Offices
- School, hotel & others

Performance Range

- Flow: up to 324 m³/h
- Speed: 1750 & 1950 RPM
- Noise: 38 to 44 dB
- Power: 15 to 25 watts
- Supply: 220-240v 50Hz
- Size: 6" & 8"

Feature and Benefits

- Pull rope type rear baffle design, which can prevent outdoor airflow, mosquitoes enter
- Reduce dust, smoke, and fustiness. large air volume, low noise
- Reduced smell and heat from cooking. Simple structure easy to install
- The service life is provided with an over-heat protector
- Decorate and purify the room. So, it's safer to use

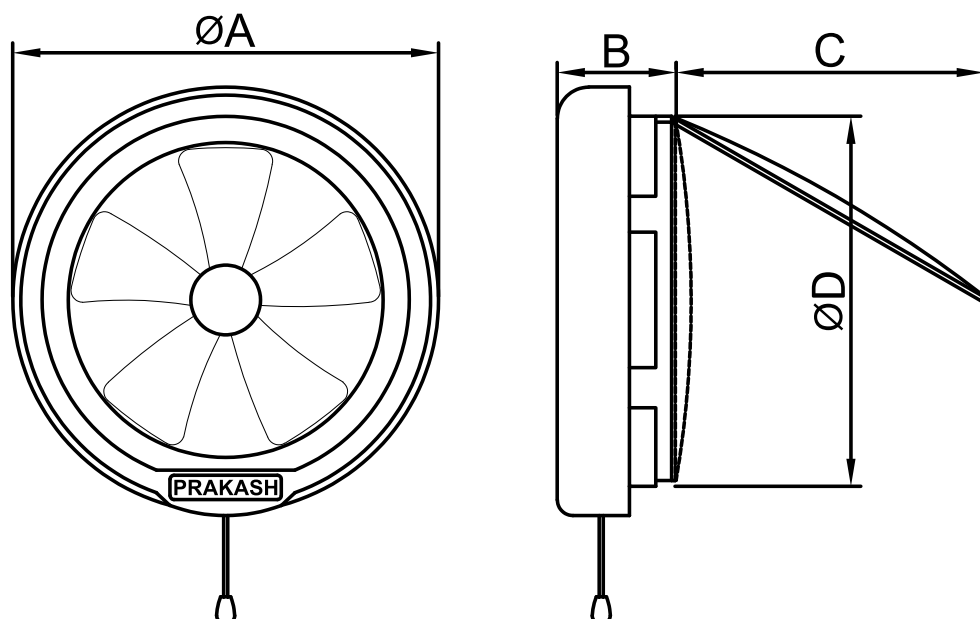
Fan Selection chart

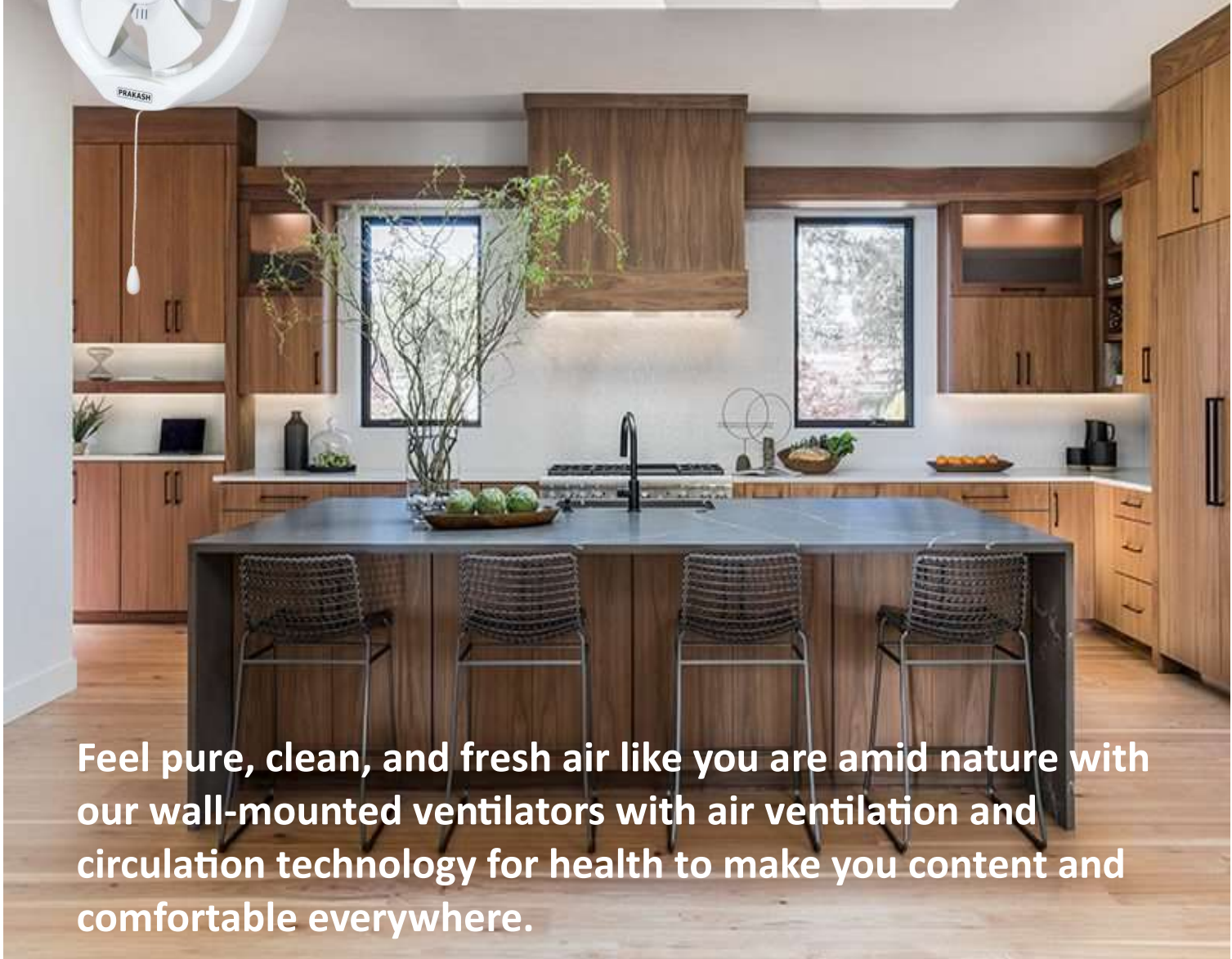
Model	Power (Watt)	Size		Voltage/ 50Hz	Air volume		Speed (RPM)	Noise (dB)	Net weight (Kg)
		Inch	mm		m ³ /h	CFM			
PVF15-2-1	15	6	150	220v	168	99	1950	38	0.65
PVF20-3-1	25	8	200	220v	324	190	1750	44	1.15

Dimension (mm)

Model	A	B	C	D	Hole Size (mm)
PVF15-2-1	206	82	135	176	185
PVF20-3-1	272	103	185	238	247

G.A Drawing





PRAKASH

Office in India

PRAKASH PUMP

Survey No. 479, Opp. Supreme Estate-1, Zak Kadadara Road, Vill. - Kadadara,
Tal. Dahegam, Gandhinagar, Gujarat 382305 INDIA E-mail: sale@prakashpump.com

Distributor Office for Middle East

PRAKASH PUMP EST

P.O. Box: 20973 Industrial Area Al Ain (United Arab Emirates)
Tel.: +971 3 7222733 Mob.: +971 50 6731283 E-mail: sale@prakashpump.com

Distributor Office for Oman

GLOBAL EQUIPMENT MATERIAL CO. LLC

P.O. Box. 227, Postal Code: 320 Nakhal Road, Barka (Sultanate of Oman)
Tel.: +968 26883982 Mob.: +968 94584686 E-mail: oman@prakashpump.com

Distributor Office for Saudi Arabia

PRAKASH PUMP INDUSTRY

P.O. Box 14327, Bldg. 3616, Al Marwah 6447, Al Mishael Riyadh City, (Kingdoms of Saudi Arabia)
Sulay Exit 18. Mobile: +966 539811109 Email: saudi@prakashpump.com

Factory Address

PANJI ENGINEERING PVT LTD

Survey No. 479, Opp. Supreme Estate-1, Zak Kadadara Road, Vill. - Kadadara,
Tal. Dahegam, Gandhinagar, Gujarat 382305 INDIA E-mail: sale@prakashpump.com



To get
Quotation by email



PRAKASHPUMPEST

These images given are only for illustration purpose
for further details contact the sales team at
sale@prakashpump.com / oman@prakashpump.com
/ saudi@prakashpump.com



To get
Website

