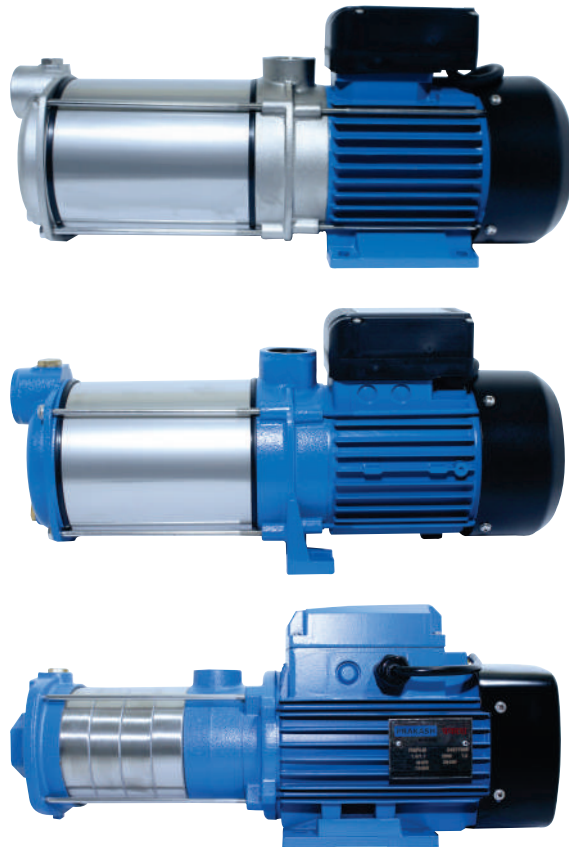




Quality, Reliability, Life

Horizontal Multistage Stainless Steel Pump



www.prakashpump.com

Applications

- It is applicable to household water supply, equipment support, pipeline pressurization, garden watering, vegetable greenhouse watering, fish farming and poultry raising, industrial and mining, water supply and drainage of enterprises and high-rise buildings, central air conditioner and centralized heating circulation system, etc.

Application Limits

- Max. liquid temperature: up to 90°C
- Altitude: up to 1000 m
- Max. suction: 8 m
- Max. inlet pressure: limited by max. operating pressure
- Max. operating pressure: 10 bar
- Liquid PH value: 4-10

Performance Range

- Flow : up to 28 m³/hr
- Head : up to 58m
- Speed : 2900 RPM
- Power : 0.37kW to 4.0 kW

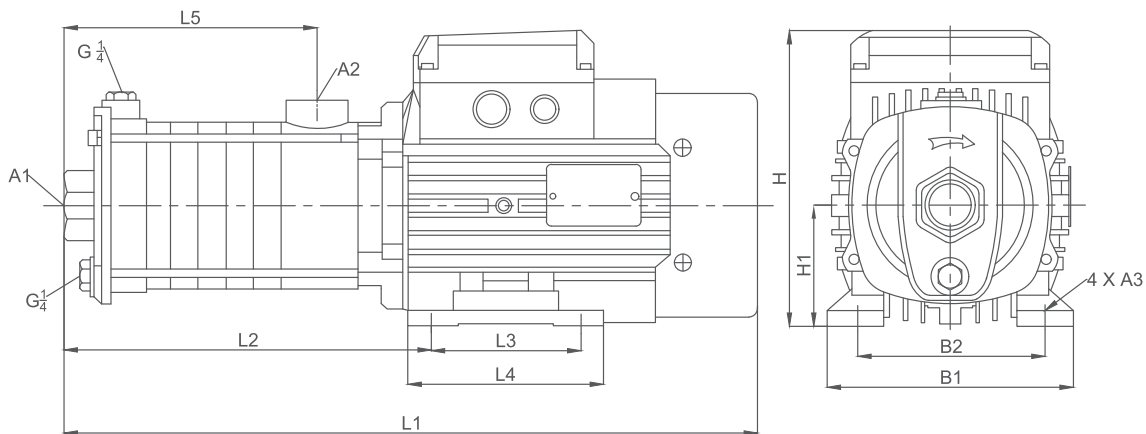
Motor Details

- 2 Pole induction motor (TEFC)
- 100% Copper winding
- Protection class : IPX4
- Insulation class : F
- Voltage : Single Phase 220v-240v, 50Hz
Three phase 380v-420v, 50hz
- Thermal protection: in-built (only single phase)

Pump Selection Chart

MODEL (CAST IRON)	MODEL (STAINLESS STEEL)	POWER		PHASE	INLET/ OUTLET	Max. Flow (LPM)	Max. Head (m)	Max. Suction (m)	GW (Kg)
		KW	HP						
PHMP2-20	PHMPSS2-20	0.37	0.5	1 phase	1" x 1"	60	18	8	11.5
PHMP2-30	PHMPSS2-30	0.37	0.5	1 phase	1" x 1"	60	27	8	11.8
PHMP2-40	PHMPSS2-40	0.55	0.75	1 phase	1" x 1"	60	35	8	13.2
PHMP2-50	PHMPSS2-50	0.55	0.75	1 phase	1" x 1"	60	45	8	13.7
PHMP2-60	PHMPSS2-60	0.75	1.0	1 phase	1" x 1"	60	53	8	14.6

G.A. Drawing



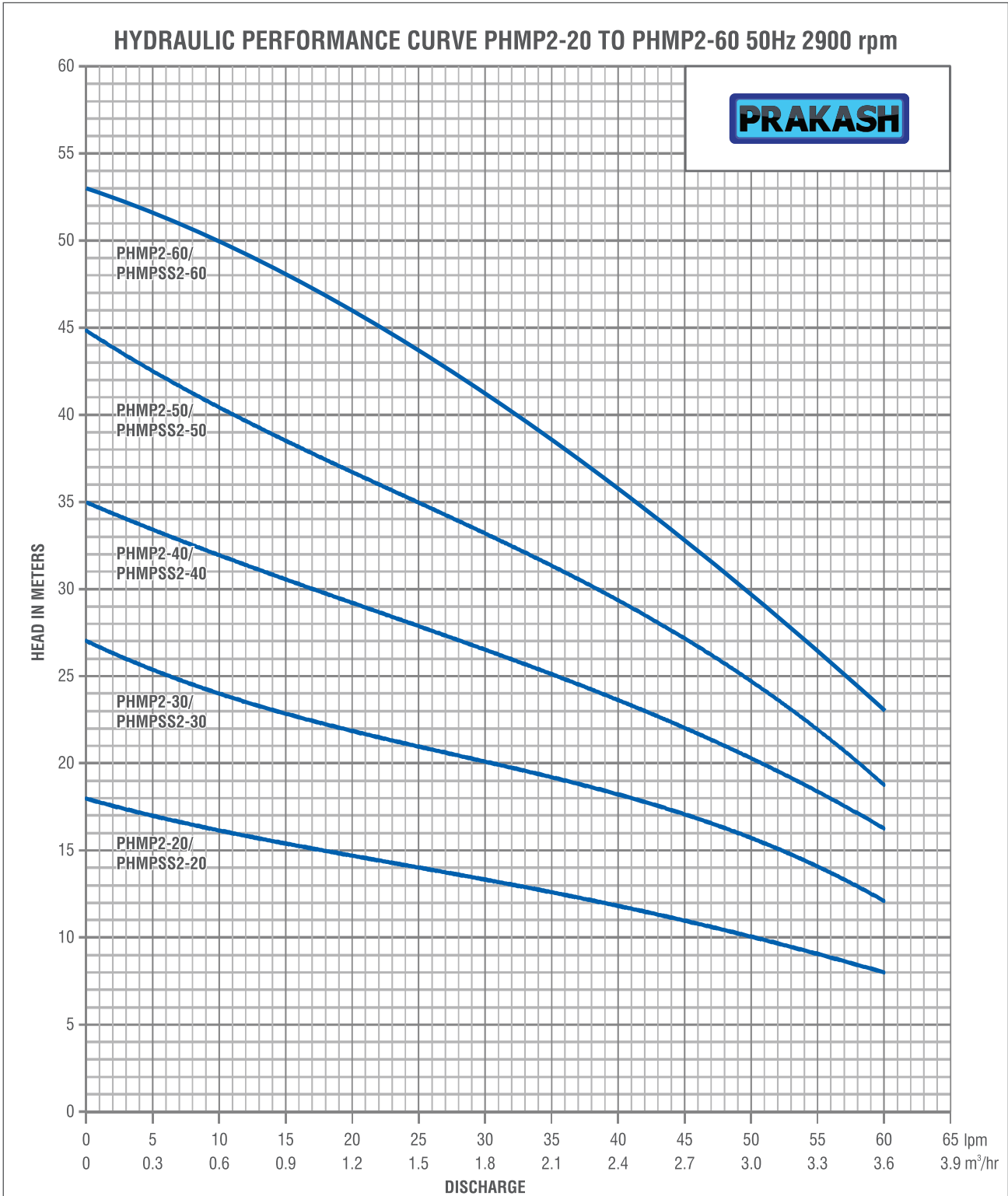
Pump Dimension

MODEL (CAST IRON)	MODEL (STAINLESS STEEL)	L1	L2	L3	L4	L5	B1	B2	H	H1	A1	A2	A3
PHMP2-20	PHMPSS2-20	344.5	165.5	90.0	110.0	98.5	137.0	109.0	176.5	71.0	G1"	G1"	ø7
PHMP2-30	PHMPSS2-30	362.5	183.5	90.0	110.0	116.5	137.0	109.0	176.5	71.0	G1"	G1"	ø7
PHMP2-40	PHMPSS2-40	380.5	201.5	90.0	110.0	134.5	137.0	109.0	176.5	71.0	G1"	G1"	ø7
PHMP2-50	PHMPSS2-50	399.5	220.5	90.0	110.0	153.5	137.0	109.0	176.5	71.0	G1"	G1"	ø7
PHMP2-60	PHMPSS2-60	417.5	238.5	90.0	110.0	171.5	137.0	109.0	176.5	71.0	G1"	G1"	ø7

Performance Chart

MODEL (CAST IRON)	MODEL (STAINLESS STEEL)	Power		Q	US GPM	0	2.6	5.3	7.9	10.6	13.2	15.9
		KW	HP		M ³ /H	0	0.6	1.2	1.8	2.4	3.0	3.6
					LPM	0	10	20	30	40	50	60
PHMP2-20	PHMPSS2-20	0.37	0.5	Head (m)	18	16	15	13	12	10	8	
PHMP2-30	PHMPSS2-30	0.37	0.5	Head (m)	27	24	22	20	18	16	12	
PHMP2-40	PHMPSS2-40	0.55	0.75	Head (m)	35	33	30	26	24	21	16	
PHMP2-50	PHMPSS2-50	0.55	0.75	Head (m)	45	40	37	33	30	24	19	
PHMP2-60	PHMPSS2-60	0.75	1.0	Head (m)	53	50	45	40	36	30	23	

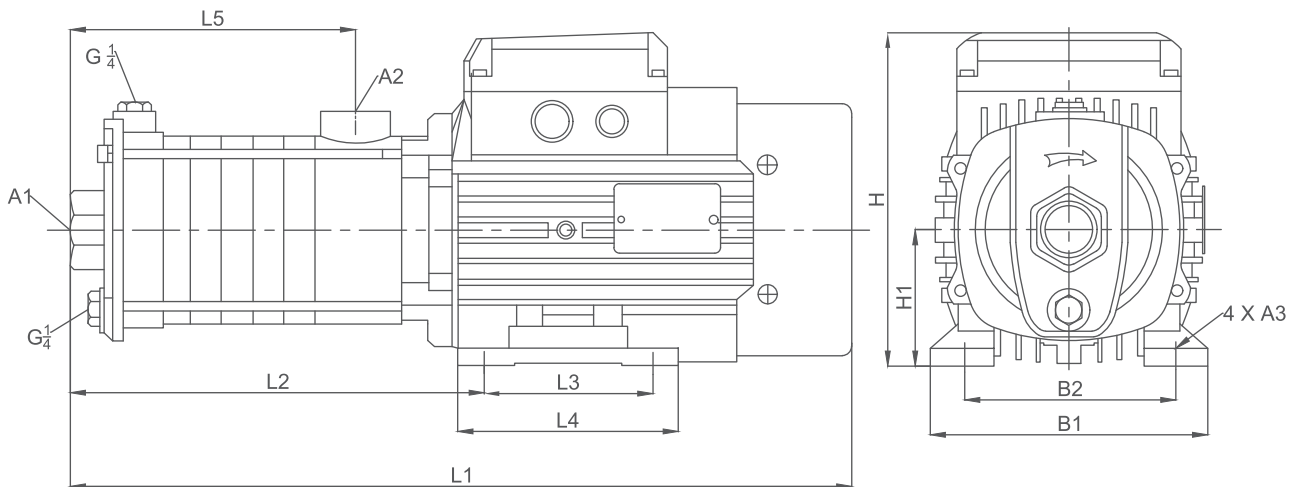
Pump Performance Curve



Pump Selection Chart

MODEL (CAST IRON)	MODEL (STAINLESS STEEL)	Power		PHASE	INLET/ OUTLET	Max. Flow (LPM)	Max. Head (m)	Max. Suction (m)	GW (Kg)
		KW	HP						
PHMP4-20	PHMPSS4-20	0.55	0.75	1 phase	1 1/4" x 1"	117	18	8	13.1
PHMP4-30	PHMPSS4-30	0.75	1.0	1 phase	1 1/4" x 1"	117	28	8	13.6
PHMP4-40	PHMPSS4-40	0.75	1.0	1 phase	1 1/4" x 1"	117	38	8	14.7
PHMP4-50	PHMPSS4-50	1.1	1.5	1 phase	1 1/4" x 1"	117	48	8	21.5
PHMP4-60	PHMPSS4-60	1.1	1.5	1 phase	1 1/4" x 1"	117	58	8	22.0

G.A. Drawing



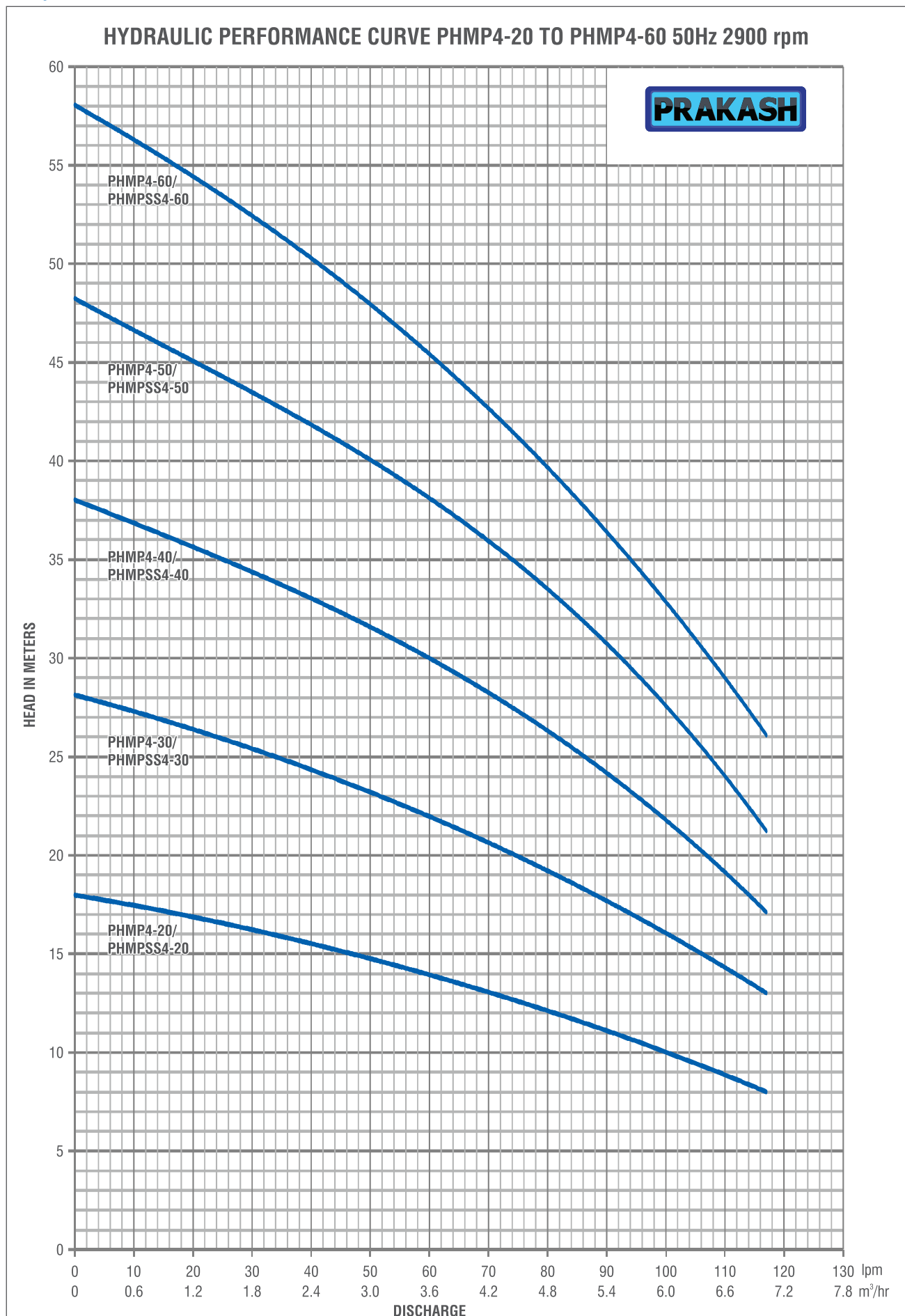
Pump Dimension

MODEL (CAST IRON)	MODEL (STAINLESS STEEL)	L1	L2	L3	L4	L5	B1	B2	H	H1	A1	A2	A3
PHMP4-20	PHMPSS4-20	354.0	175.5	90.0	110.0	108.5	137.0	109.0	176.5	71.0	G1 1/4"	G1"	ø7
PHMP4-30	PHMPSS4-30	381.5	203.0	90.0	110.0	136.0	137.0	109.0	176.5	71.0	G1 1/4"	G1"	ø7
PHMP4-40	PHMPSS4-40	408.5	230.0	90.0	110.0	163.0	137.0	109.0	176.5	71.0	G1 1/4"	G1"	ø7
PHMP4-50	PHMPSS4-50	484.0	266.0	100.0	130.0	190.0	165.0	125.0	204.5	80.0	G1 1/4"	G1"	ø10
PHMP4-60	PHMPSS4-60	511.5	293.5	100.0	130.0	217.5	165.0	125.0	204.5	80.0	G1 1/4"	G1"	ø10

Pump Performance Chart

MODEL (CAST IRON)	MODEL (STAINLESS STEEL)	POWER		Q	US GPM	0	4.5	8.7	13.2	17.7	21.9	26.4	30.9
		KW	HP		M ³ /H	0	1.0	2.0	3.0	4.0	5.0	6.0	7.0
					LPM	0	17	33	50	67	83	100	117
PHMP4-20	PHMPSS4-20	0.55	0.75	Head (m)	18	17	16	15	13	12	10	8	
PHMP4-30	PHMPSS4-30	0.75	1.0	Head (m)	28	27	25	23	21	19	16	13	
PHMP4-40	PHMPSS4-40	0.75	1.0	Head (m)	38	36	34	32	28	26	22	17	
PHMP4-50	PHMPSS4-50	1.1	1.5	Head (m)	48	46	43	40	36	33	28	21	
PHMP4-60	PHMPSS4-60	1.1	1.5	Head (m)	58	55	52	48	43	39	33	26	

Pump Performance Curve



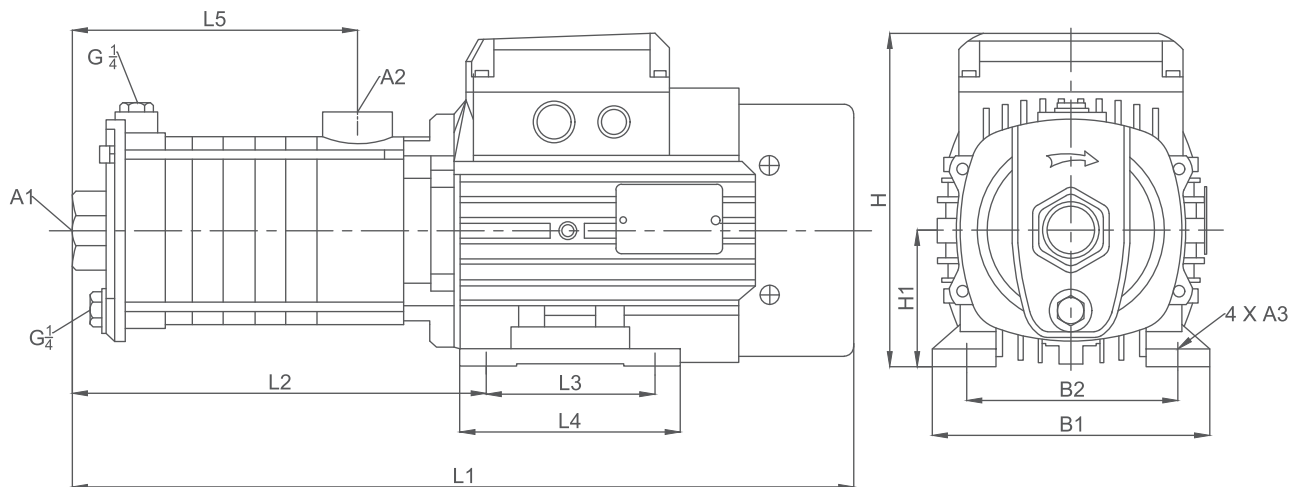
Horizontal Multistage Stainless Steel Pump



Pump Selection Chart

MODEL (CAST IRON)	MODEL (STAINLESS STEEL)	Power		PHASE	INLET/ OUTLET	Max. Flow (LPM)	Max. Head (m)	Max. Suction (m)	GW (Kg)
		KW	HP						
PHMP10-10	PHMPSS10-10	0.75	1.0	1 phase	1 1/2" x 1 1/4"	183	10	8	20.7
PHMP10-20	PHMPSS10-20	0.75	1.0	1 phase	1 1/2" x 1 1/4"	200	20	8	20.8
PHMP10-30	PHMPSS10-30	1.1	1.5	1 phase	1 1/2" x 1 1/4"	200	30	8	21.9
PHMP10-40 / T	PHMPSS10-40 / T	1.5	2.0	1 & 3 phase	1 1/2" x 1 1/4"	200	40	8	28.2
PHMP10-50 / T	PHMPSS10-50 / T	2.2	3.0	1 & 3 phase	1 1/2" x 1 1/4"	200	50	8	30.6

G.A. Drawing



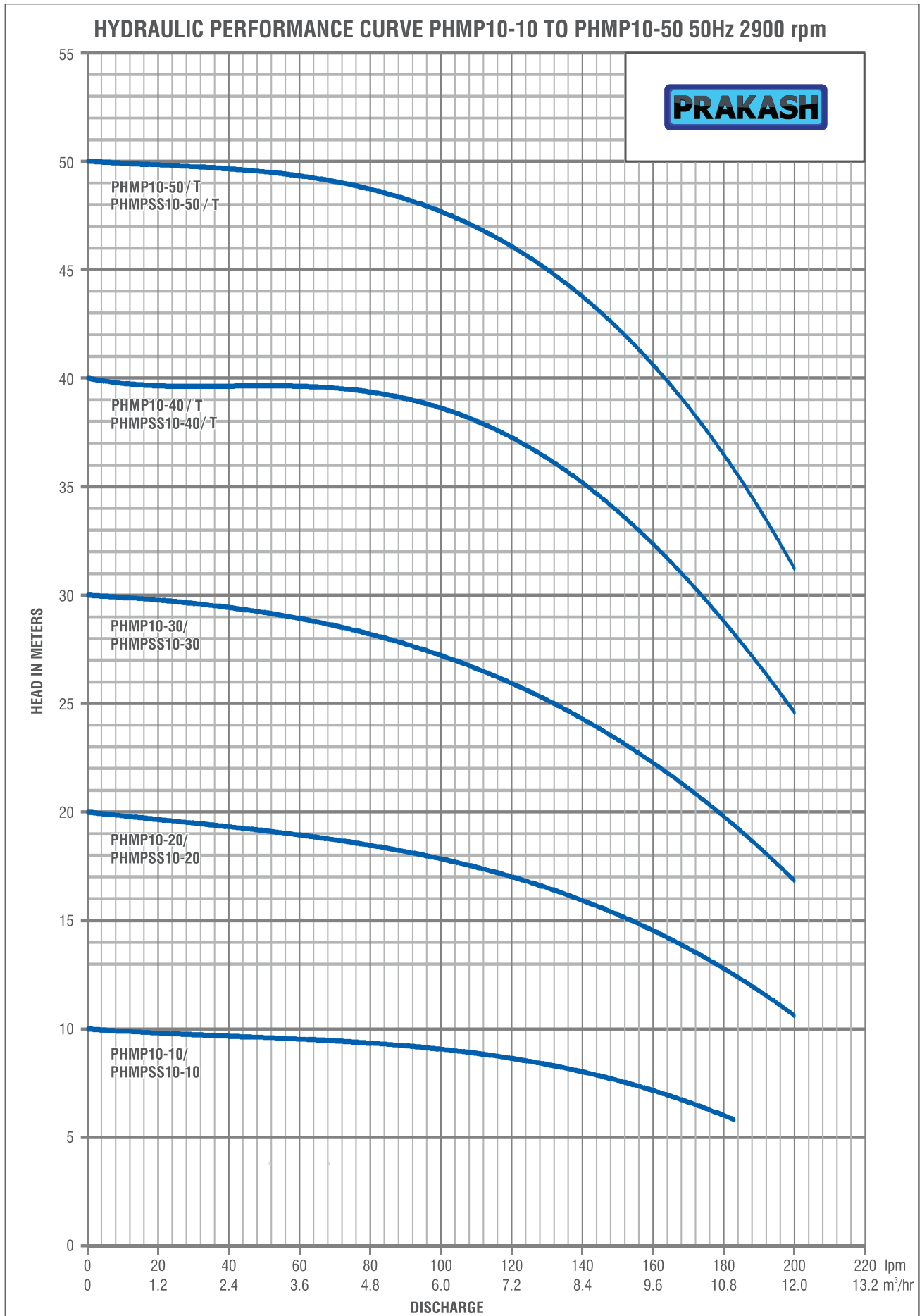
Pump Dimension

MODEL (CAST IRON)	MODEL (STAINLESS STEEL)	L1	L2	L3	L4	L5	B1	B2	H	H1	A1	A2	A3
PHMP10-10	PHMPSS10-10	430.0	212.0	100.0	130.0	121.0	165.0	125.0	204.5	80.0	G1 1/2"	G1 1/4"	ø10
PHMP10-20	PHMPSS10-20	430.0	212.0	100.0	130.0	121.0	165.0	125.0	204.5	80.0	G1 1/2"	G1 1/4"	ø10
PHMP10-30	PHMPSS10-30	460.5	242.5	100.0	130.0	151.5	165.0	125.0	204.5	80.0	G1 1/2"	G1 1/4"	ø10
PHMP10-40 / T	PHMPSS10-40 / T	549.5	261.5	125.0	150.0	182.0	180.0	140.0	217.5	90.0	G1 1/2"	G1 1/4"	ø10
PHMP10-50 / T	PHMPSS10-50 / T	579.5	291.5	125.0	150.0	212.0	180.0	140.0	217.5	90.0	G1 1/2"	G1 1/4"	ø10

Pump Performance Chart

MODEL (CAST IRON)	MODEL (STAINLESS STEEL)	Power		Q	US GPM	26.4	30.9	35.1	39.6	44.1	48.3	52.8	
		KW	HP		M ³ /H	0	6.0	7.0	8.0	9.0	10.0	11.0	12.0
					LPM	0	100	117	133	150	167	183	200
PHMP10-10	PHMPSS10-10	0.75	1.0	Head (m)	10	9.1	8.7	8.2	7.7	6.8	5.8		
PHMP10-20	PHMPSS10-20	0.75	1.0	Head (m)	20	17.9	17.1	16.3	15.3	14.0	12.5	10.6	
PHMP10-30	PHMPSS10-30	1.1	1.5	Head (m)	30	27.1	26.3	24.9	23.4	21.4	19.3	16.9	
PHMP10-40 / T	PHMPSS10-40 / T	1.5	2.0	Head (m)	40	38.6	37.6	35.9	33.9	31.2	28.2	24.6	
PHMP10-50 / T	PHMPSS10-50 / T	2.2	3.0	Head (m)	50	47.8	46.4	44.4	42.2	39.5	35.9	31.1	

Pump Performance Curve



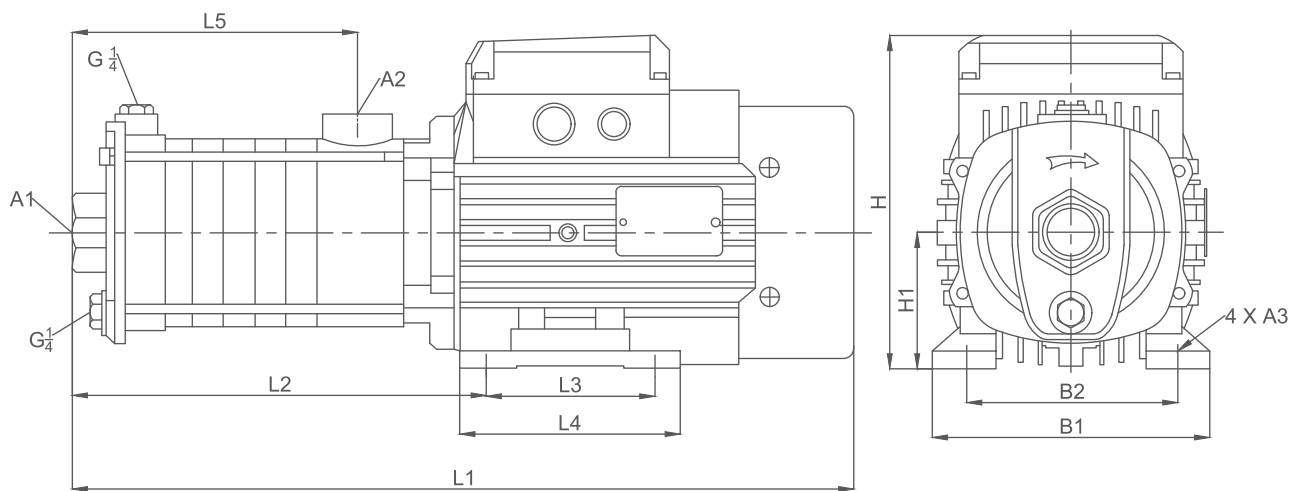
Horizontal Multistage Stainless Steel Pump



Pump Selection Chart

MODEL (CAST IRON)	MODEL (STAINLESS STEEL)	Power		PHASE	INLET/ OUTLET	Max. Flow (LPM)	Max. Head (m)	Max. Suction (m)	GW (Kg)
		KW	HP						
PHMP15-10 / T	PHMPSS15-10 / T	1.1	1.5	1 & 3 phase	2" x 2"	350	14	8	22.7
PHMP15-20 / T	PHMPSS15-20 / T	2.2	3.0	1 & 3 phase	2" x 2"	350	28	8	30.3
PHMP15-30	PHMPSS15-30	3.0	4.0	3 phase	2" x 2"	350	42	8	32.2
PHMP15-40	PHMPSS15-40	4.0	5.5	3 phase	2" x 2"	350	55	8	39.6

G.A. Drawing



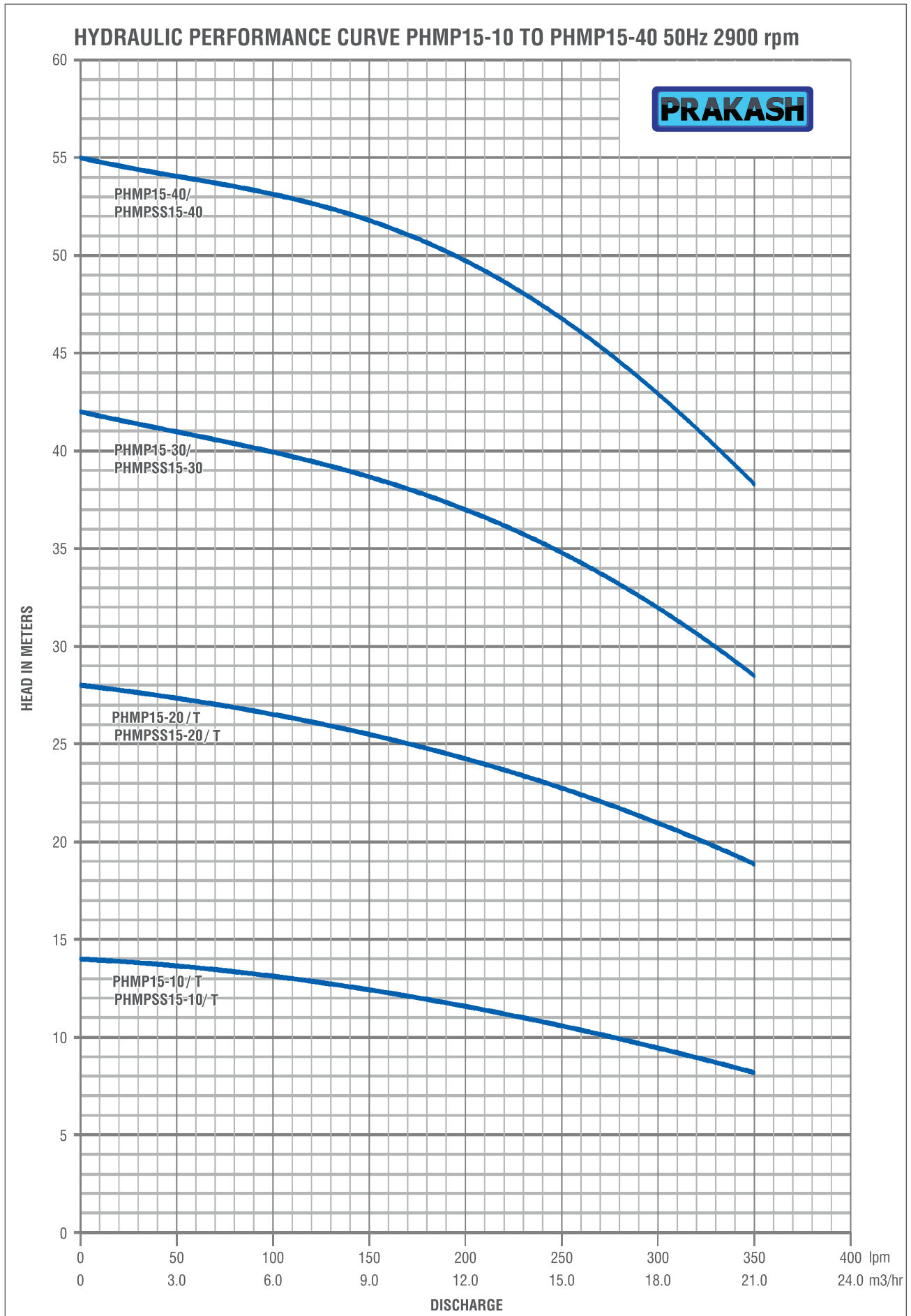
Pump Dimension Chart

MODEL (CAST IRON)	MODEL (STAINLESS STEEL)	L1	L2	L3	L4	L5	B1	B2	H	H1	A1	A2	A3
PHMP15-10 / T	PHMPSS15-10 / T	451.0	233.5	100.0	130.0	139.5	165.0	125.0	204.5	80.0	G2"	G2"	ø10
PHMP15-20 / T	PHMPSS15-20 / T	510.0	222.0	125.0	150.0	139.5	180.0	140.0	217.5	90.0	G2"	G2"	ø10
PHMP15-30	PHMPSS15-30	560.0	272.0	125.0	150.0	184.5	180.0	140.0	247.5	90.0	G2"	G2"	ø10
PHMP15-40	PHMPSS15-40	616.0	336.5	140.0	180.0	230.0	205.0	160.0	224.5	100.0	G2"	G2"	ø12

Pump Performance Chart

MODEL (CAST IRON)	MODEL (STAINLESS STEEL)	Power		Q	US GPM	0	39.6	52.8	66.0	79.3	92.5
		KW	HP		M ³ /H	0	9.0	12.0	15.0	18.0	21.0
					LPM	0	150	200	250	300	350
PHMP15-10 / T	PHMPSS15-10 / T	1.1	1.5	Head (m)	14	12.4	11.6	10.6	9.4	8.2	
PHMP15-20 / T	PHMPSS15-20 / T	2.2	3.0	Head (m)	28	25.6	24.1	22.7	21.1	18.8	
PHMP15-30	PHMPSS15-30	3.0	4.0	Head (m)	42	38.7	36.9	34.9	31.9	28.5	
PHMP15-40	PHMPSS15-40	4.0	5.5	Head (m)	55	51.8	49.7	46.8	42.9	38.3	

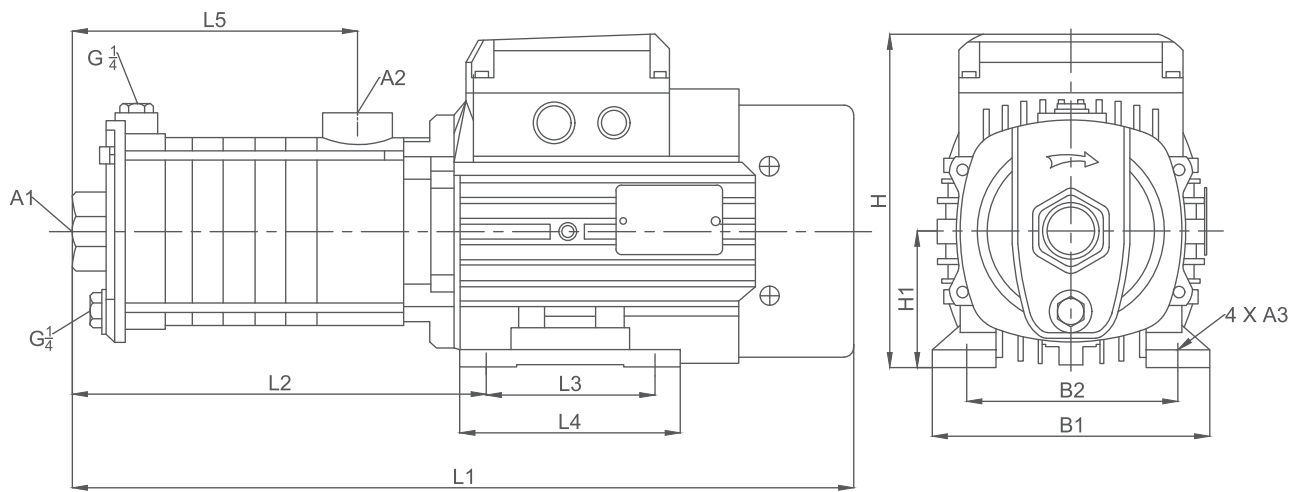
Pump Performance Curve



Pump Selection Chart

MODEL (CAST IRON)	MODEL (STAINLESS STEEL)	Power		PHASE	INLET/ OUTLET	Max. Flow (LPM)	Max. Head (m)	Max. Suction (m)	GW (Kg)
		KW	HP						
PHMP20-10 / T	PHMPSS20-10 / T	1.1	1.5	1 & 3 phase	2" x 2"	467	13	8	22.7
PHMP20-20 / T	PHMPSS20-20 / T	2.2	3.0	1 & 3 phase	2" x 2"	467	28	8	30.3
PHMP20-30	PHMPSS20-30	4.0	5.5	3 phase	2" x 2"	467	42	8	38.9
PHMP20-40	PHMPSS20-40	4.0	5.5	3 phase	2" x 2"	467	56	8	39.4

G.A. Drawing



Pump Dimension

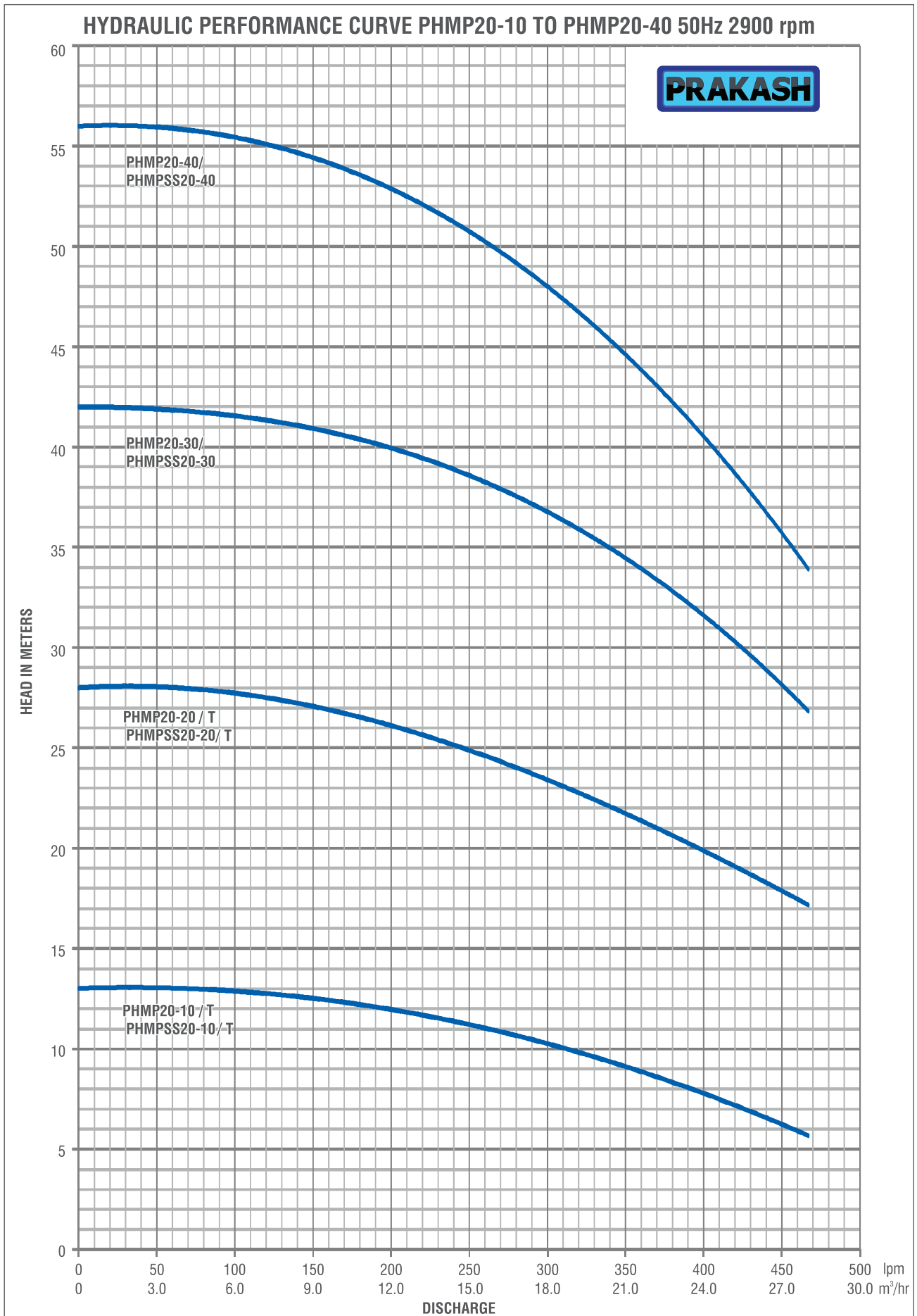
MODEL (CAST IRON)	MODEL (STAINLESS STEEL)	L1	L2	L3	L4	L5	B1	B2	H	H1	A1	A2	A3
PHMP20-10 / T	PHMPSS20-10 / T	451.0	233.5	100.0	130.0	139.5	165.0	125.0	204.5	80.0	G2"	G2"	ø10
PHMP20-20 / T	PHMPSS20-20 / T	510.0	222.0	125.0	150.0	139.5	180.0	140.0	217.5	90.0	G2"	G2"	ø10
PHMP20-30	PHMPSS20-30	570.5	291.0	140.0	180.0	184.5	205.0	160.0	224.5	100.0	G2"	G2"	ø12
PHMP20-40	PHMPSS20-40	616.0	336.5	140.0	180.0	230.0	205.0	160.0	224.5	100.0	G2"	G2"	ø12

Pump Performance Chart

MODEL (CAST IRON)	MODEL (STAINLESS STEEL)	Power		Q	US GPM	0	52.8	70.5	88.0	105.7	123.4
		KW	HP		M ³ /H	0	12.0	16.0	20.0	24.0	28.0
					LPM	0	200	267	333	400	467
PHMP20-10 / T	PHMPSS20-10 / T	1.1	1.5	Head (m)	13	12.1	10.8	9.5	7.8	5.7	
PHMP20-20 / T	PHMPSS20-20 / T	2.2	3.0	Head (m)	28	26.1	24.4	22.4	19.8	17.2	
PHMP20-30	PHMPSS20-30	4.0	5.5	Head (m)	42	39.9	38.0	35.5	31.4	26.9	
PHMP20-40	PHMPSS20-40	4.0	5.5	Head (m)	56	52.7	50.1	45.9	40.3	34	



Pump Performance Curve



Horizontal Multistage Stainless Steel Pump



Applications

The PRAKASH PHMP Pump is a horizontal multistage pump which can be used for house water supply, equipment support, pipeline pressurization, garden watering, vegetable greenhouse watering, fish farming and poultry raising, industrial and mining, water supply and drainage of enterprises and high-rise buildings, central air conditioner and centralized heating circulation system etc.

Application Limits

- Liquid temperature maximum: up to 90°C
- Altitude: ≤ 100m
- Suction maximum: 8 m (self-Priming)
- Operation pressure maximum: 10 Bar
- Liquid PH Value: 6-8

Performance Range

- Flow: up to 120 LPM
- Head: up to 72 Meters
- Speed : 2900 RPM
- Power : 0.37kW to 1.5kW

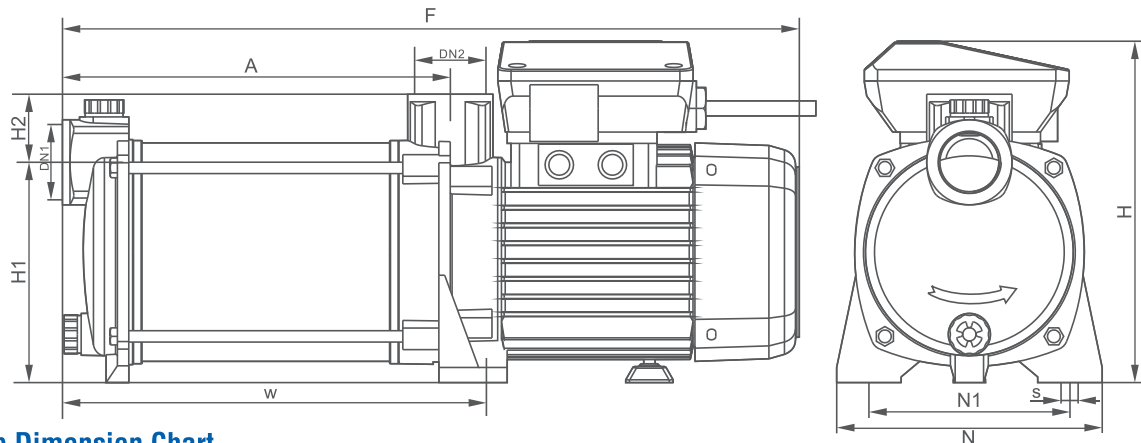
Motor Details

- 2 Pole induction motor (TEFC)
- 100% Copper winding
- Protection class : IPX4
- Insulation class : F
- Voltage : Single Phase 220v-240v, 50Hz
- Thermal protection: in-built (only single phase)

Pump Selection Chart

MODEL (CAST IRON)	MODEL (STAINLESS STEEL)	Power		PHASE	INLET/ OUTLET	Max. Flow (LPM)	Max. Head (m)	Max. Suction (m)
		KW	HP					
PHMP60-2	PHMPSS60-2	0.37	0.5	1 phase	1" x 1"	60	20	8
PHMP60-3	PHMPSS60-3	0.6	0.8	1 phase	1" x 1"	60	30	8
PHMP60-4	PHMPSS60-4	0.75	1.0	1 phase	1" x 1"	60	40	8
PHMP60-5	PHMPSS60-5	0.85	1.15	1 phase	1" x 1"	60	50	8
PHMP60-6	PHMPSS60-6	1.0	1.3	1 phase	1" x 1"	60	60	8

G.A. Drawing



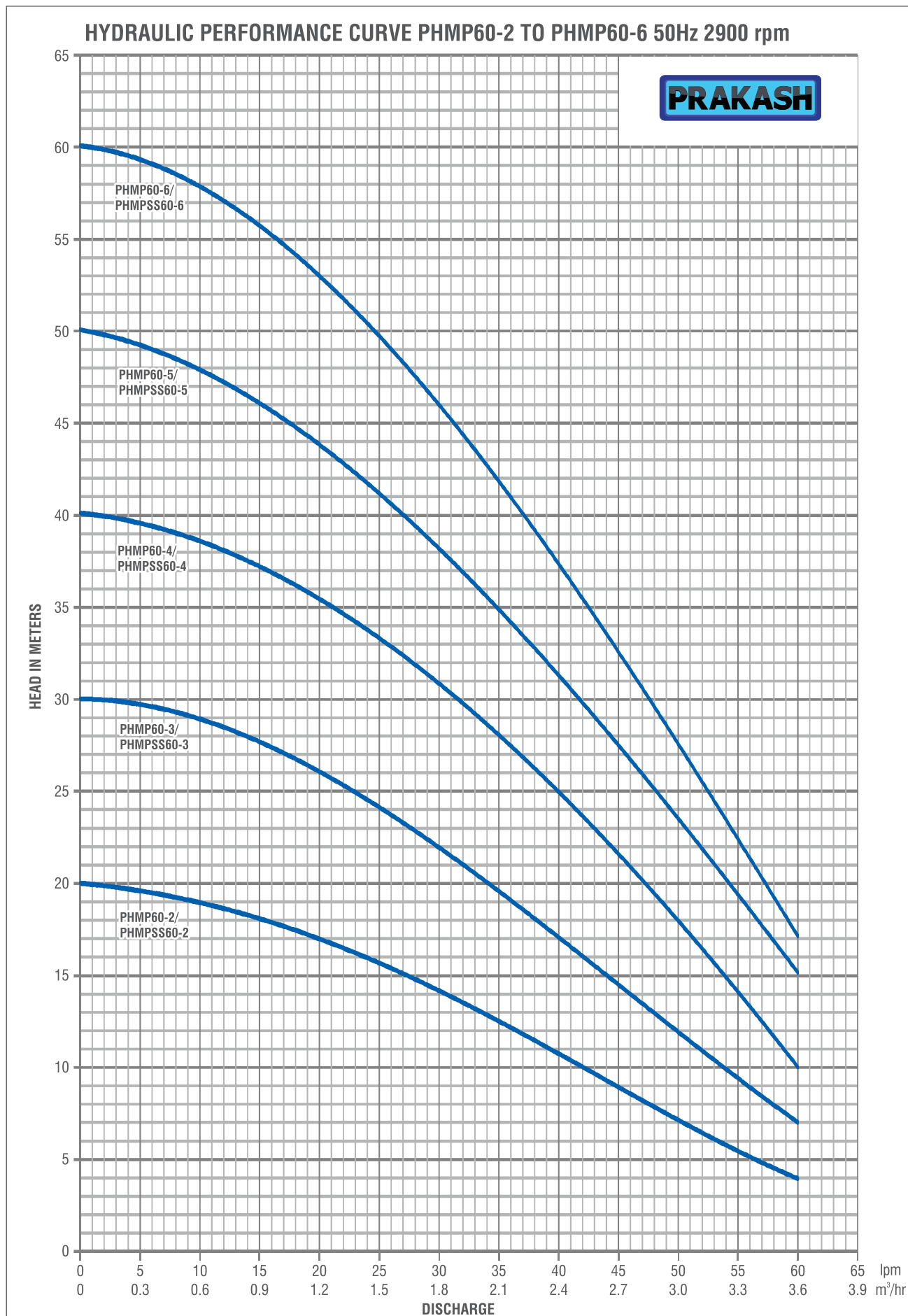
Pump Dimension Chart

MODEL (CAST IRON)	MODEL (STAINLESS STEEL)	A	F	H	H1	H2	N	N1	W	S
PHMP60-2	PHMPSS60-2	146.0	337.0	180.0	121.0	31.5	150.0	120.0	164.0	10.0
PHMP60-3	PHMPSS60-3	170.5	362.0	180.0	121.0	31.5	150.0	120.0	188.5	10.0
PHMP60-4	PHMPSS60-4	194.5	409.0	196.0	126.0	36.5	150.0	120.0	214.5	10.0
PHMP60-5	PHMPSS60-5	219.0	433.0	196.0	126.0	36.5	150.0	120.0	239.0	10.0
PHMP60-6	PHMPSS60-6	243.5	458.0	196.0	126.0	36.5	150.0	120.0	263.5	10.0

Pump Performance Chart

MODEL (CAST IRON)	MODEL (STAINLESS STEEL)	Power		Q	US GPM	0	2.6	5.3	7.9	10.6	13.2	15.9
		KW	HP		M ³ /H	0	0.6	1.2	1.8	2.4	3.0	3.6
					LPM	0	10	20	30	40	50	60
PHMP60-2	PHMPSS60-2	0.37	0.5	Head (m)	20	19	17	14	11	7	4	
PHMP60-3	PHMPSS60-3	0.6	0.8	Head (m)	30	29	26	22	17	12	7	
PHMP60-4	PHMPSS60-4	0.75	1.0	Head (m)	40	39	35	31	25	18	10	
PHMP60-5	PHMPSS60-5	0.85	1.15	Head (m)	50	48	44	38	31	24	15	
PHMP60-6	PHMPSS60-6	1.0	1.3	Head (m)	60	58	53	46	37	28	17	

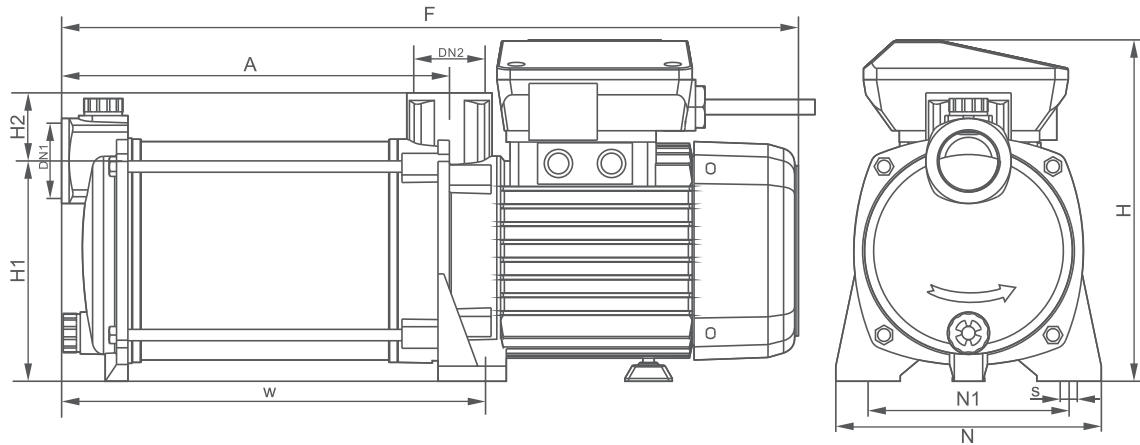
Pump Performance Curve



Pump Selection Chart

MODEL (CAST IRON)	MODEL (STAINLESS STEEL)	Power		PHASE	INLET/ OUTLET	Max. Flow (LPM)	Max. Head (m)	Net Weight (Kg)	Max. Suction (m)
		KW	HP						
PHMP90-2	PHMPSS90-2	0.37	0.5	1 Phase	1" x 1"	90	22		8
PHMP90-3	PHMPSS90-3	0.75	1.0	1 Phase	1" x 1"	90	32		8
PHMP90-4	PHMPSS90-4	1.1	1.5	1 Phase	1" x 1"	90	43		8
PHMP90-5	PHMPSS90-5	1.1	1.5	1 Phase	1" x 1"	90	53	12.9	8
PHMP90-6	PHMPSS90-6	1.5	2.0	1 Phase	1" x 1"	90	64		8

G.A. Drawing



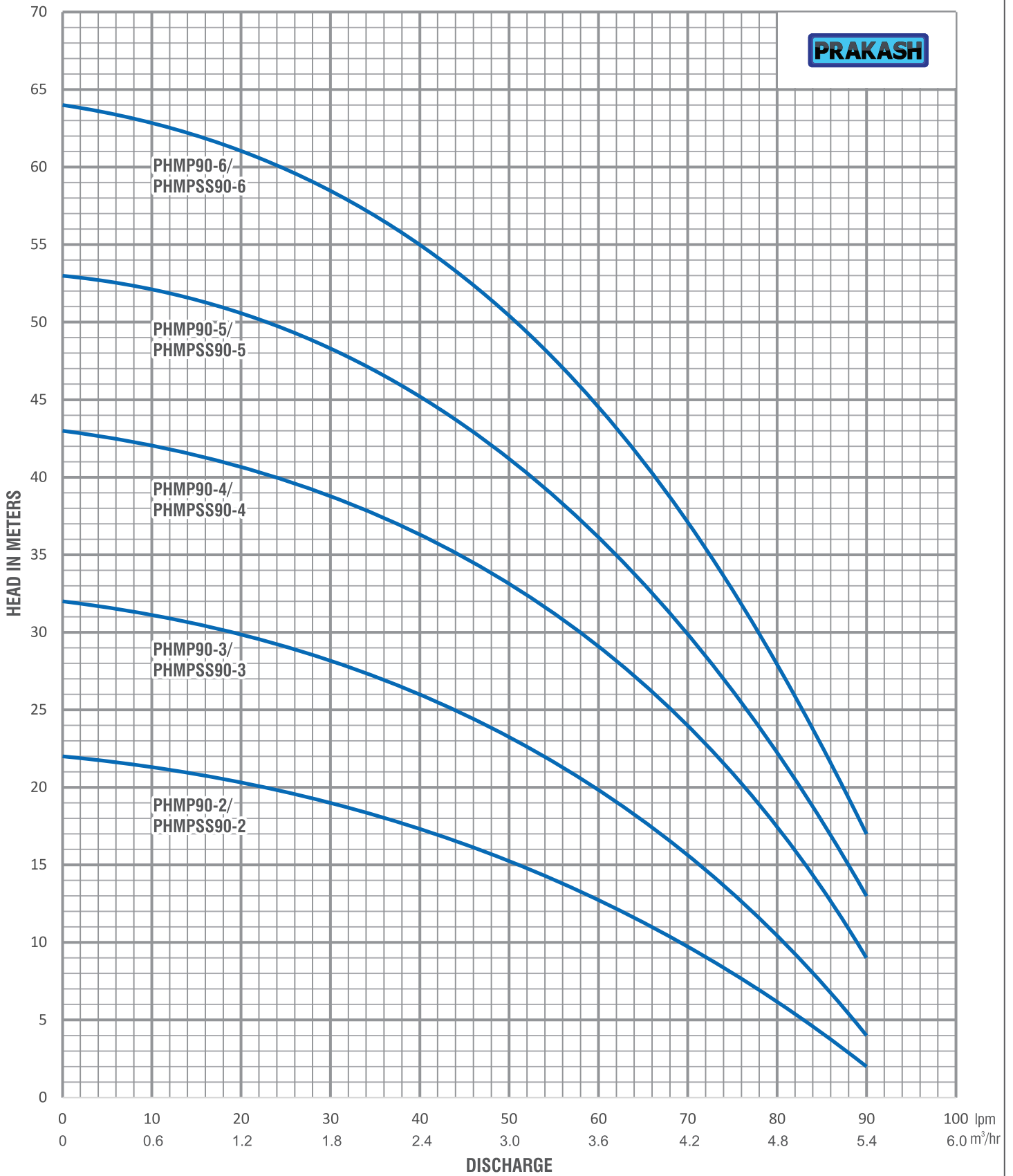
Pump Dimension Chart

MODEL (CAST IRON)	MODEL (STAINLESS STEEL)	DN1	DN2	A	F	H	H1	H2	N	N1	W	S
PHMP90-2	PHMPSS90-2	1"	1"	146	334.5	192	122	32.5	150	120	164	10
PHMP90-3	PHMPSS90-3	1"	1"	170	383	204	126	36.5	150	120	190	10
PHMP90-4	PHMPSS90-4	1"	1"	194.5	407.5	204	126	36.5	150	120	214.5	10
PHMP90-5	PHMPSS90-5	1"	1"	219	432	204	126	36.5	150	120	239	10
PHMP90-6	PHMPSS90-6	1"	1"	243.5	476.5	204	126	36.5	150	120	263.5	10

Pump Performance Chart

MODEL (CAST IRON)	MODEL (STAINLESS STEEL)	Power		Q	US GPM	0	2.6	5.3	7.9	10.6	13.2	15.9	18.4	21.1	23.7
		KW	HP		M ³ /H	0	0.6	1.2	1.8	2.4	3.0	3.6	4.2	4.8	5.4
					LPM	0	10	20	30	40	50	60	70	80	90
PHMP90-2	PHMPSS90-2	0.37	0.5	Head (m)	22	21	20	19	17	15	13	10	6	2	
PHMP90-3	PHMPSS90-3	0.75	1.0	Head (m)	32	31	30	28	26	23	20	16	11	4	
PHMP90-4	PHMPSS90-4	1.1	1.5	Head (m)	43	42	41	39	36	33	29	24	17	9	
PHMP90-5	PHMPSS90-5	1.1	1.5	Head (m)	53	52	51	49	45	41	36	30	23	13	
PHMP90-6	PHMPSS90-6	1.5	2.0	Head (m)	64	62	61	58	55	50	45	37	28	17	

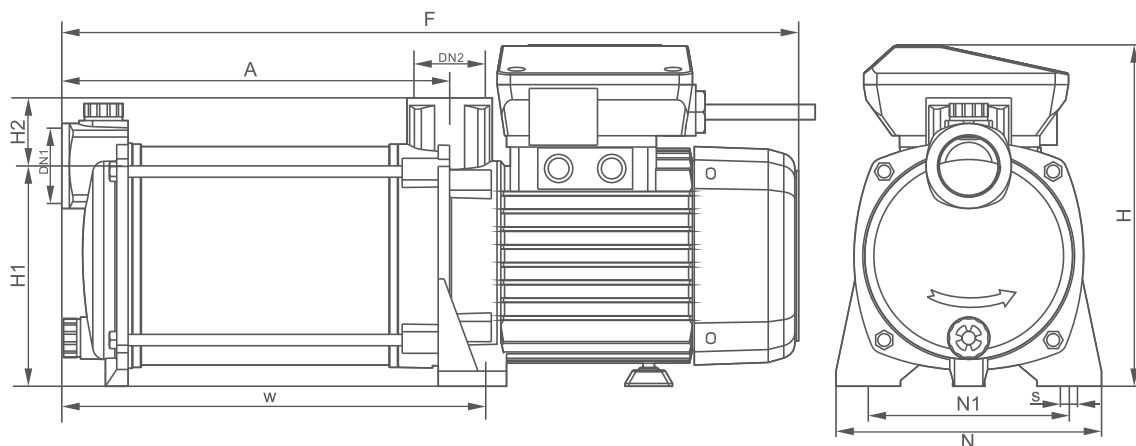
HYDRAULIC PERFORMANCE CURVE PHMP90-2 TO PHMP90-6 50Hz 2900 RPM



Pump Selection Chart

MODEL (CAST IRON)	MODEL (STAINLESS STEEL)	Power		PHASE	INLET/ OUTLET	Max. Flow (LPM)	Max. Head (m)	Net Weight (Kg)	Max. Suction (m)
		KW	HP						
PHMP120-2	PHMPSS120-2	0.55	0.75	1 Phase	1.25" x 1"	120	23		8
PHMP120-3	PHMPSS120-3	0.75	1.0	1 Phase	1.25" x 1"	120	34		8
PHMP120-4	PHMPSS120-4	1.0	1.3	1 Phase	1.25" x 1"	120	45		8
PHMP120-5	PHMPSS120-5	1.1	1.5	1 Phase	1.25" x 1"	120	57		8
PHMP120-6	PHMPSS120-6	1.5	2.0	1 Phase	1.25" x 1"	120	72	18.1	8

G.A. Drawing



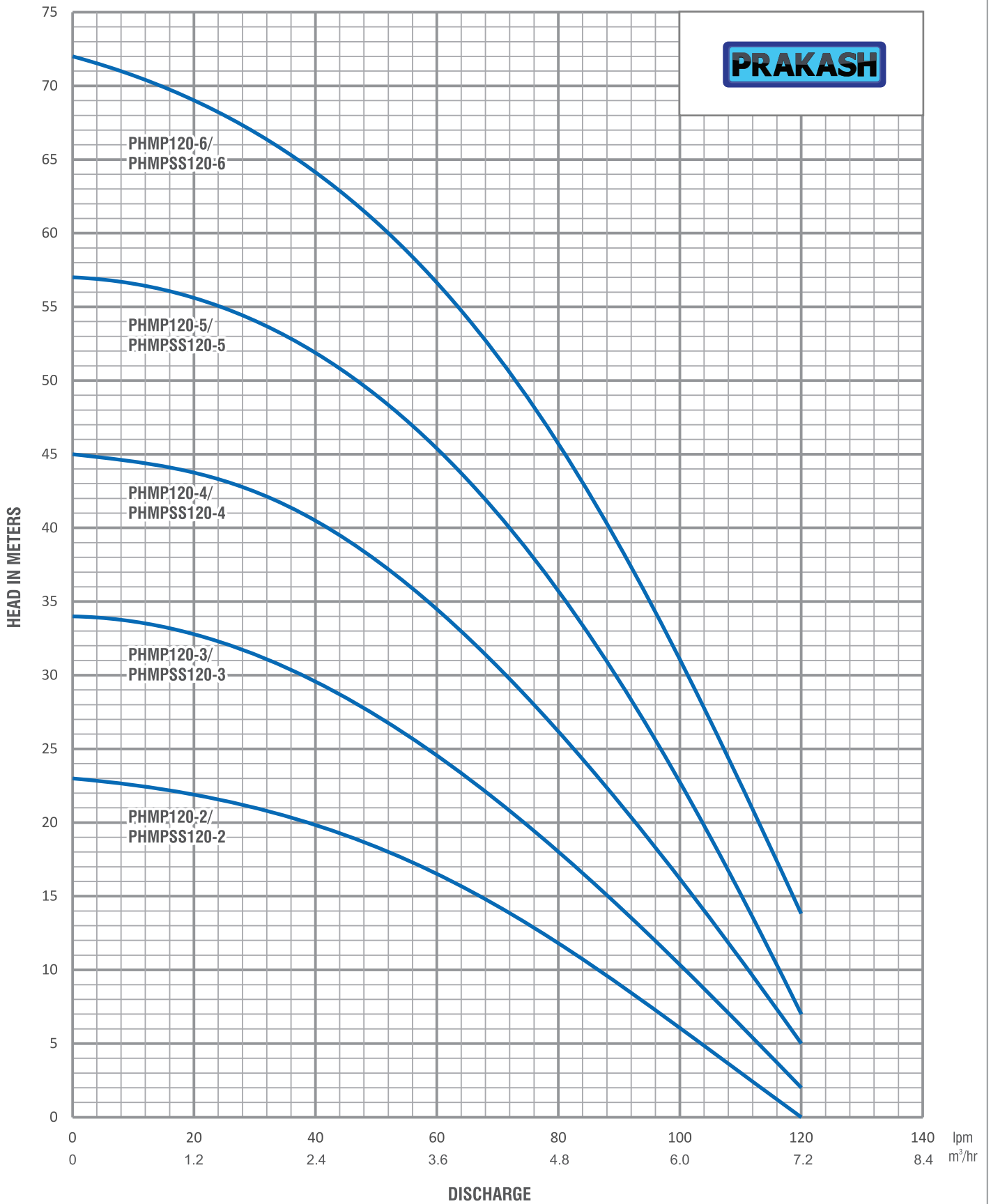
Pump Dimension Chart

MODEL (CAST IRON)	MODEL (STAINLESS STEEL)	DN1	DN2	A	F	H	H1	H2	N	N1	W	S
PHMP120-2	PHMPSS120-2	1.25"	1"	145.5	358.5	204	126	36.5	150	120	165.5	10
PHMP120-3	PHMPSS120-3	1.25"	1"	170	383	204	126	36.5	150	120	190	10
PHMP120-4	PHMPSS120-4	1.25"	1"	194.5	407.5	204	126	36.5	150	120	214.5	10
PHMP120-5	PHMPSS120-5	1.25"	1"	219	462	204	126	36.5	150	120	239	10
PHMP120-6	PHMPSS120-6	1.25"	1"	246.5	484.5	204	142	41.5	169	120	278.5	12

Pump Performance Chart

MODEL (CAST IRON)	MODEL (STAINLESS STEEL)	Power		Q	US GPM	0	5.3	10.6	15.9	21.1	26.4	31.6
		KW	HP		M ³ /H	0	1.2	2.4	3.6	4.8	6.0	7.2
					LPM	0	20	40	60	80	100	120
PHMP120-2	PHMPSS120-2	0.55	0.75	Head (m)	23	22	19	17	12	6	0	
PHMP120-3	PHMPSS120-3	0.75	1.0	Head (m)	34	32	30	25	18	10	2	
PHMP120-4	PHMPSS120-4	1.0	1.3	Head (m)	45	43	41	34	26	16	5	
PHMP120-5	PHMPSS120-5	1.1	1.5	Head (m)	57	55	52	45	36	22	7	
PHMP120-6	PHMPSS120-6	1.5	2.0	Head (m)	72	69	63	56	46	32	14	

HYDRAULIC PERFORMANCE CURVE PHMP120-2 TO PHMP120-6 50Hz 2900 RPM



PRAKASH

Office in India

PRAKASH PUMP

Survey No. 479, Opp. Supreme Estate-1, Zak Kadadara Road, Vill. - Kadadara,
Tal. Dahegam, Gandhinagar, Gujarat 382305 INDIA E-mail: sale@prakashpump.com

Distributor Office for Middle East

PRAKASH PUMP EST

P.O. Box: 20973 Industrial Area Al Ain (United Arab Emirates)
Tel.: +971 3 7222733 Mob.: +971 50 6731283 E-mail: sale@prakashpump.com

Distributor Office for Oman

GLOBAL EQUIPMENT MATERIAL CO. LLC

P.O. Box. 227, Postal Code: 320 Nakhal Road, Barka (Sultanate of Oman)
Tel.: +968 26883982 Mob.: +968 94584686 E-mail: oman@prakashpump.com

Distributor Office for Saudi Arabia

PRAKASH PUMP INDUSTRY

P.O. Box 14327, Bldg. 3616, Al Marwah 6447, Al Mishael Riyadh City, (Kingdoms of Saudi Arabia)
Sulay Exit 18. Mobile: +966 539811109 Email: saudi@prakashpump.com

Factory Address

PANJI ENGINEERING PVT LTD

Survey No. 479, Opp. Supreme Estate-1, Zak Kadadara Road, Vill. - Kadadara,
Tal. Dahegam, Gandhinagar, Gujarat 382305 INDIA E-mail: sale@prakashpump.com



To get
Quotation by email



PRAKASHPUMPEST

These images given are only for illustration purpose
for further details contact the sales team at
sale@prakashpump.com / oman@prakashpump.com
/ saudi@prakashpump.com



To get
Website

