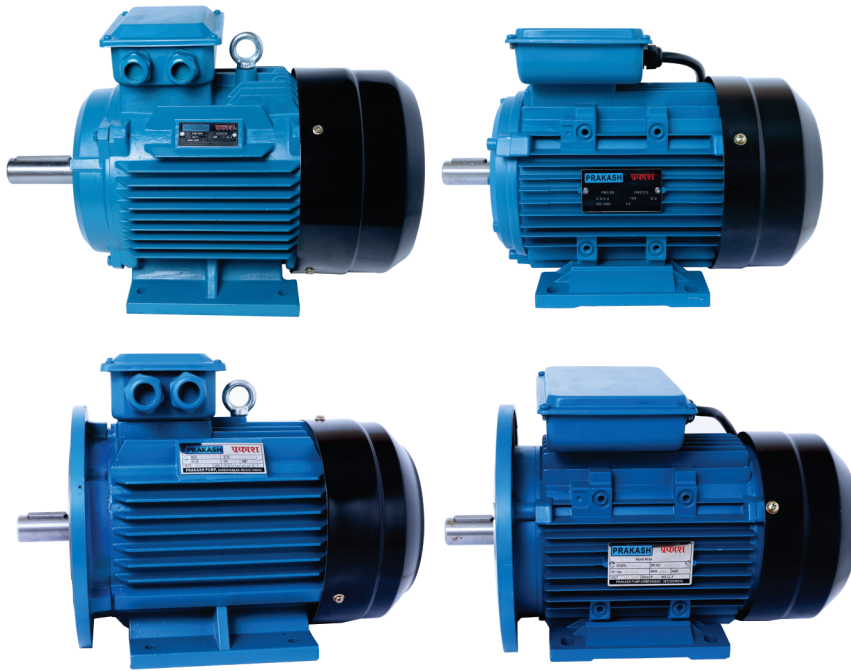


PRAKASH

Quality, Reliability, Life

Induction Motor



www.prakashpump.com

Applications

- Induction motor is used for multi-purpose such as:
 - Industrial, Shipping
 - Domestic and agriculture.
 - Machinery equipment.

Motor Details

- 2 & 4 Pole induction motor
- Rated Speed : 1450 & 2900 RPM
- 100% Copper winding
- Center height : 80-355mm
- Power : 0.75 kW to 315 kW
- Rated Voltage : 220-240V for Single Phase
380-420V for Three Phase
- Rated Frequency : 50Hz
- Insulation Class: B & F
- Enclosure Class : IP54 and IP55(IP56 are available on request)
- Duty : S1
- Mounting Type: B3 Frame with feet and end-shield
- Motor IE2 for Optimum efficiency. (IE3 are available on request)

Motor Feature

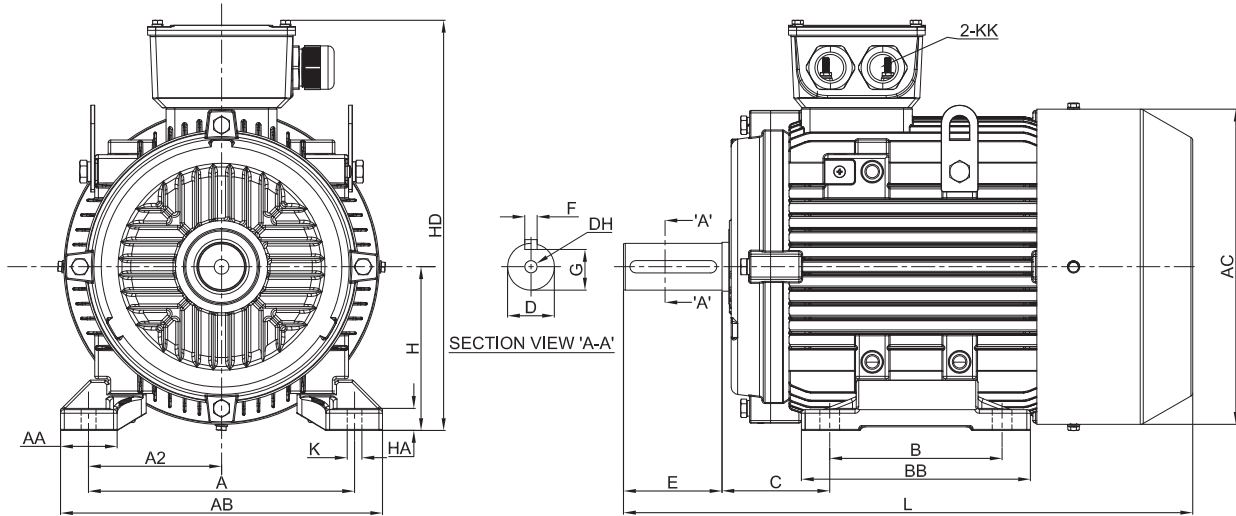
High Capacity, Strong starting torque, high power factor and high efficiency, safety and reliability in running, simple structure easy maintenance and easy installation. It possess frame No. and capacity as three-phase asynchronous motors. This motors are of totally enclosed fan-cooled structure and IC411 method of cooling. The mounting dimensions of the motors are all in conformity with IEC standards. Motors are suitable for machines and equipments such as full load start.

Motor Selection Chart

Model	Power		Voltage	Rated speed (RPM)
	HP	kw		
PIM-1S4	1	0.75	220-240V	1450
PIM-1.5S4	1.5	1.1	220-240V	1450
PIM-2S4	2	1.5	220-240V	1450
PIM-3S4	3	2.2	220-240V	1450
PIM-4S4	4	3	220-240V	1450
PIM-5.5S4	5.5	4.0	220-240V	1450
PIM-1.5S2	1.5	1.1	220-240V	2900
PIM-2S2	2	1.5	220-240V	2900
PIM-3S2	3	2.2	220-240V	2900
PIM-4S2	4	3	220-240V	2900
PIM-5.5S2	5.5	4.0	220-240V	2900
PIM-1T2	1	0.75	380-420V	2900
PIM-1.5T2	1.5	1.1	380-420V	2900
PIM-2T2	2	1.5	380-420V	2900
PIM-3T2	3	2.2	380-420V	2900
PIM-4T2	4	3	380-420V	2900
PIM-5.5T2	5.5	4	380-420V	2900
PIM-7.5T2	7.5	5.5	380-420V	2900
PIM-10T2	10	7.5	380-420V	2900
PIM-15T2	15	11	380-420V	2900
PIM-20T2	20	15	380-420V	2900
PIM-25T2	25	18.5	380-420V	2900
PIM-30T2	30	22	380-420V	2900
PIM-40T2	40	30	380-420V	2900
PIM-50T2	50	37	380-420V	2900
PIM-60T2	60	45	380-420V	2900
PIM-75T2	75	55	380-420V	2900
PIM-100T2	100	75	380-420V	2900
PIM-125T2	125	90	380-420V	2900
PIM-150T2	150	110	380-420V	2900

Model	Power		Voltage	Rated speed (RPM)
	HP	kw		
PIM-180T2	180	132	380-420V	2900
PIM-215T2	215	160	380-420V	2900
PIM-270T2	270	200	380-420V	2900
PIM-335T2	335	250	380-420V	2900
PIM-425T2	425	315	380-420V	2900
PIM-1T4	1	0.75	380-420V	1450
PIM-1.5T4	1.5	1.1	380-420V	1450
PIM-2T4	2	1.5	380-420V	1450
PIM-3T4	3	2.2	380-420V	1450
PIM-4T4	4	3	380-420V	1450
PIM-5.5T4	5.5	4	380-420V	1450
PIM-7.5T4	7.5	5.5	380-420V	1450
PIM-10T4	10	7.5	380-420V	1450
PIM-15T4	15	11	380-420V	1450
PIM-20T4	20	15	380-420V	1450
PIM-25T4	25	18.5	380-420V	1450
PIM-30T4	30	22	380-420V	1450
PIM-40T4	40	30	380-420V	1450
PIM-50T4	50	37	380-420V	1450
PIM-60T4	60	45	380-420V	1450
PIM-75T4	75	55	380-420V	1450
PIM-100T4	100	75	380-420V	1450
PIM-125T4	125	90	380-420V	1450
PIM-150T4	150	110	380-420V	1450
PIM-180T4	180	132	380-420V	1450
PIM-215T4	215	160	380-420V	1450
PIM-270T4	270	200	380-420V	1450
PIM-335T4	335	250	380-420V	1450
PIM-425T4	425	315	380-420V	1450

G.A Drawing



Model	A	AA	AB	BB	HA	AC	HD	B	C	D	DH	E	F	G	H (frame)	K	KK		L
																	METRIC	PG	
PIM-1S4	125	35	156	125	9	165	195	100	50	19	M6 x 16	40	6	15.5	80	12	2-M20x1.5	2-PG16	287
PIM-1.5S4	140	37	175	156	10	175	210	125	56	24	M8 x 19	50	8	20	90	12	2-M25x1.5	2-PG16	331
PIM-2S4	140	37	175	156	10	175	210	125	56	24	M8 x 19	50	8	20	90	14	2-M25x1.5	2-PG16	361
PIM-3S4	160	40	200	172	11	180	255	140	63	28	M8 x 22	60	8	24	100	14	2-M32x1.5	2-PG21	392
PIM-4S4	160	40	200	172	11	200	255	140	63	28	M8 x 22	60	8	24	100	14	2-M32x1.5	2-PG21	392
PIM-5.5S4	190	50	218	181	15	222	274	140	70	28	M8 x 22	60	8	24	112	14	2-M32x1.5	2-PG21	406
PIM-1.5S2	125	37	155	125	10	165	195	100	50	19	M8 x 19	40	6	15.5	80	10	2-M25x1.5	2-PG16	295
PIM-2S2	140	37	175	156	10	180	210	100	56	24	M8 x 19	50	8	20	90	10	2-M25x1.5	2-PG16	331
PIM-3S2	140	37	175	156	10	180	210	125	56	24	M8 x 19	50	8	20	90	10	2-M25x1.5	2-PG16	361
PIM-4S2	160	40	200	172	11	200	255	140	63	28	M8 x 22	60	8	24	100	12	2-M32x1.5	2-PG21	392
PIM-5.5S2	190	50	218	181	15	222	274	140	70	28	M8 x 22	60	8	24	112	12	2-M32x1.5	2-PG21	406
PIM-1T2	125	35	165	130	9	155	215	100	50	19	M6 x 16	40	6	15.5	80	10	2-M20x1.5	2-PG16	295
PIM-1.5T2	125	35	165	130	9	155	215	100	50	19	M6 x 16	40	6	15.5	80	10	2-M20x1.5	2-PG16	295
PIM-2T2	140	37	180	140	10	175	230	100	56	24	M8 x 19	50	8	20	90	10	2-M25x1.5	2-PG16	315
PIM-3T2	140	37	180	165	10	175	230	125	56	24	M8 x 19	50	8	20	90	10	2-M25x1.5	2-PG16	345
PIM-4T2	160	40	205	175	14	195	260	140	63	28	M10 x 22	60	8	24	100	12	2-M32x1.5	2-PG21	384
PIM-5.5T2	190	41	230	181	12	240	290	140	70	28	M10 x 22	60	8	24	112	12	2-M32x1.5	2-PG21	400
PIM-7.5T2	216	51	260	186	15	259	338	140	89	38	M12 x 28	80	10	33	132	12	2-M32x1.5	2-PG21	470
PIM-10T2	216	51	260	186	15	259	338	140	89	38	M12 x 28	80	10	33	132	12	2-M32x1.5	2-PG21	470
PIM-15T2	254	55	320	260	18	315	420	210	108	42	M16 x 36	110	12	37	160	15	2-M40x1.5	2-PG29	615
PIM-20T2	254	55	320	260	18	315	420	210	108	42	M16 x 36	110	12	37	160	15	2-M40x1.5	2-PG29	615
PIM-25T2	254	55	320	304	18	315	420	254	108	42	M16 x 36	110	12	37	160	15	2-M40x1.5	2-PG29	658
PIM-1T4	125	35	156	130	9	155	215	100	50	19	M6 x 16	40	6	15.5	80	10	2-M20x1.5	2-PG16	287
PIM-1.5T4	140	37	175	140	10	175	230	100	56	24	M8 x 19	50	8	20	90	10	2-M25x1.5	2-PG16	315
PIM-2T4	140	37	175	165	10	175	230	125	56	24	M8 x 19	50	8	20	90	10	2-M25x1.5	2-PG16	340
PIM-3T4	160	40	200	175	11	196	260	140	63	28	M10 x 22	60	8	24	100	12	2-M32x1.5	2-PG21	385
PIM-4T4	160	40	200	175	14	196	260	140	63	28	M10 x 22	60	8	24	100	12	2-M32x1.5	2-PG21	385
PIM-5.5T4	190	41	230	182	12	220	290	140	70	28	M10 x 22	60	8	24	112	12	2-M32x1.5	2-PG21	400
PIM-7.5T4	216	51	260	260	15	259	338	140	89	38	M12 x 28	80	10	33	132	12	2-M32x1.5	2-PG21	470
PIM-10T4	216	51	260	260	15	259	338	178	89	38	M12 x 28	80	10	33	132	12	2-M32x1.5	2-PG21	510
PIM-15T4	254	55	320	260	18	315	420	210	108	42	M16 x 36	110	12	37	160	15	2-M40x1.5	2-PG29	615
PIM-20T4	254	55	320	304	18	315	420	254	108	42	M16 x 36	110	12	37	160	15	2-M40x1.5	2-PG29	660

Model	A	A/2	B	C	D	E	F	G	H (frame)	K	AB	AC	AD	HD	L	DH
PIM-25T4	279	139.5	241	121	48	110	14	42.5	180	15	349	355	280	451	698	M16 x 36
PIM-30T4	279	139.5	279	121	48	110	14	42.5	180	15	349	355	280	451	734	M16 x 36
PIM-40T4	318	159	305	133	55	110	16	49	200	19	388	397	305	505	776	M20 x 42
PIM-50T4	356	178	286	149	60	140	18	53	225	19	431	445	335	550	810	M20 x 42
PIM-60T4	356	178	311	149	60	140	18	53	225	19	431	445	335	550	839	M20 x 42
PIM-75T4	406	203	349	168	65	140	18	58	250	24	484	484	370	613	925	M20 x 42
PIM-100T4	457	228.5	368	190	75	140	20	67.5	280	24	542	546	410	670	991	M20 x 42
PIM-125T4	457	228.5	419	190	75	140	20	67.5	280	24	542	546	410	670	1046	M20 x 42
PIM-150T4	508	254	406	216	80	170	22	71	315	28	628	620	530	855	1220	M20 x 42
PIM-180T4	508	254	457	216	80	170	22	71	315	28	628	620	530	855	1325	M20 x 42
PIM-215T4	508	254	508	216	80	170	22	71	315	28	628	620	530	855	1325	M20 x 42
PIM-270T4	508	254	508	216	80	170	22	71	315	28	628	620	530	855	1325	M20 x 42
PIM-335T4	610	305	560	254	95	170	25	86	355	28	726	700	655	1002	1514	M20 x 42
PIM-425T4	610	305	630	254	95	170	25	86	355	28	726	700	655	1002	1514	M20 x 42
PIM-30T2	279	139.5	279	121	48	110	14	42.5	180	15	349	355	280	451	734	M16 x 36
PIM-40T2	318	159	305	133	55	110	16	49	200	19	388	397	305	505	776	M20 x 42
PIM-50T2	356	178	286	149	60	140	18	53	225	19	431	445	335	550	810	M20 x 42
PIM-60T2	356	178	311	149	55	110	16	49	225	19	431	445	335	550	809	M20 x 42
PIM-75T2	406	203	349	168	60	140	18	53	250	24	484	484	370	613	925	M20 x 42
PIM-100T2	457	228.5	368	190	65	140	18	58	280	24	542	546	410	670	991	M20 x 42
PIM-125T2	457	228.5	419	190	65	140	18	58	280	24	542	546	410	670	1046	M20 x 42
PIM-150T2	508	254	406	216	65	140	18	58	315	28	628	620	530	855	1185	M20 x 42
PIM-180T2	508	254	457	216	65	140	18	58	315	28	628	620	530	855	1290	M20 x 42
PIM-215T2	508	254	508	216	65	140	18	58	315	28	628	620	530	855	1290	M20 x 42
PIM-270T2	508	254	508	216	65	140	18	58	315	28	628	620	530	855	1290	M20 x 42
PIM-335T2	610	305	560	254	75	140	20	67.5	355	28	726	700	655	1002	1484	M20 x 42
PIM-425T2	610	305	630	254	75	140	20	67.5	355	28	726	700	655	1002	1484	M20 x 42

Applications

- Induction motor is used for multi-purpose such as:
 - Industrial, Shipping
 - Domestic and agriculture.
 - Machinery equipment.

Motor Details

- 2 & 4 Pole induction motor
- Rated Speed : 1450 & 2900 RPM
- 100% Copper winding
- Center height : 80-132mm
- Power : 0.75 kW to 7.5 kW
- Rated Voltage : 220-240V for Single Phase
380-420V for Three Phase
- Rated Frequency : 50Hz
- Insulation Class: B & F
- Enclosure Class : IP54 and IP55(IP56 are available on request)
- Duty : S1
- Mounting Type: B35 Frame with feet and end-shield
- Motor IE2 for Optimum efficiency. (IE3 are available on request)

Motor Feature

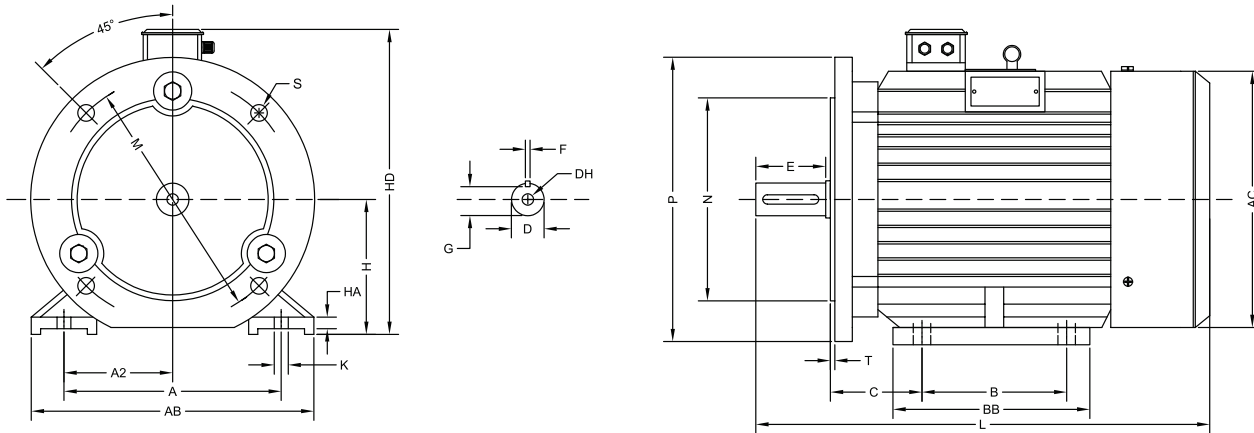
High Capacity, Strong starting torque, high power factor and high efficiency, safety and reliability in running, simple structure easy maintenance and easy installation. It possess frame No. and capacity as three-phase asynchronous motors. This motors are of totally enclosed fan-cooled structure and IC411 method of cooling. The mounting dimensions of the motors are all in conformity with IEC standards. Motors are suitable for machines and equipments such as full load start.

Motor Selection Chart

Model	Power		Voltage/ 50Hz	Rated speed (RPM)
	Kw	HP		
PIM-1T4 B35	0.75	1	380-420v	1450
PIM-1.5T4 B35	1.1	1.5	380-420v	1450
PIM-2T4 B35	1.5	2	380-420v	1450
PIM-3T4 B35	2.2	3	380-420v	1450
PIM-4T4 B35	3.0	4	380-420v	1450
PIM-5.5T4 B35	4.0	5.5	380-420v	1450
PIM-7.5T4 B35	5.5	7.5	380-420v	1450
PIM-10T4 B35	7.5	10	380-420v	1450
PIM-1T2 B35	0.75	1	380-420v	2900
PIM-1.5T2 B35	1.1	1.5	380-420v	2900
PIM-2T2 B35	1.5	2	380-420v	2900
PIM-3T2 B35	2.2	3	380-420v	2900
PIM-4T2 B35	3	4	380-420v	2900
PIM-5.5T2 B35	4	5.5	380-420v	2900
PIM-7.5T2 B35	5.5	7.5	380-420v	2900
PIM-10T2 B35	7.5	10	380-420v	2900

Model	Power		Voltage/ 50Hz	Rated speed (RPM)
	Kw	HP		
PIM-1S4 B35	0.75	1	220-240v	1450
PIM-1.5S4 B35	1.1	1.5	220-240v	1450
PIM-2S4 B35	1.5	2	220-240v	1450
PIM-3S4 B35	2.2	3	220-240v	1450
PIM-4S4 B35	3	4	220-240v	1450
PIM-5.5S4 B35	4	5.5	220-240v	1450
PIM-1S2 B35	0.75	1	220-240v	2900
PIM-1.5S2 B35	1.1	1.5	220-240v	2900
PIM-2S2 B35	1.5	2	220-240v	2900
PIM-3S2 B35	2.2	3	220-240v	2900
PIM-4S2 B35	3	4	220-240v	2900
PIM-5.5S2 B35	4	5.5	220-240v	2900

G.A Drawing



Model	Dimension in mm																					
	A	A2	B	BB	HA	C	D	DH	E	F	G	H	K	M	N	P	S	T	AB	AC	HD	L
PIM-1S4 B35	125	63	100	125	9	50	19	M6x16	40	6	15.5	80	12	165	130	200	12	3.5	156	165	195	287
PIM-1.5S4 B35	140	70	100	156	10	56	24	M8x19	50	8	20	90	12	165	130	200	12	3.5	175	175	210	331
PIM-2S4 B35	140	70	125	156	10	56	24	M8x19	50	8	20	90	14	165	130	200	12	3.5	175	175	210	361
PIM-3S4 B35	160	80	140	172	11	63	28	M8x22	60	8	24	100	14	215	180	250	13.5	4.0	200	180	255	392
PIM-4S4 B35	160	80	140	172	11	63	28	M8x22	60	8	24	100	14	215	180	250	13.5	4.0	200	200	255	392
PIM-5.5S4 B35	190	95	140	181	15	70	28	M8x22	60	8	24	112	14	215	180	250	15	4.0	218	222	274	406
PIM-1S2 B35	125	63	100	125	9	50	19	M6x16	40	6	15.5	80	12	165	130	200	12	3.5	155	165	195	295
PIM-1.5S2 B35	125	63	100	125	10	50	19	M8x19	40	6	15.5	80	12	165	130	200	12	3.5	155	165	195	295
PIM-2S2 B35	140	70	100	156	10	56	24	M8x19	50	8	20	90	12	165	130	200	12	3.5	175	180	210	331
PIM-3S2 B35	140	70	125	156	10	56	24	M8x19	50	8	20	90	12	165	130	200	12	3.5	175	180	210	361
PIM-4S2 B35	160	80	140	172	11	63	28	M8x22	60	8	24	100	14	215	180	250	13.5	4.0	200	200	255	392
PIM-5.5S2 B35	190	95	140	181	15	70	28	M8x22	60	8	24	112	14	215	180	250	13.5	4.0	218	222	274	406
PIM-1T4 B35	125	63	100	130	9	50	19	M6x16	40	6	15.5	80	10	165	130	200	12	3.5	165	155	215	287
PIM-1.5T4 B35	140	70	100	140	10	56	24	M8x19	50	8	20	90	10	165	130	200	12	3.5	175	175	230	315
PIM-2T4 B35	140	70	125	165	10	56	24	M8x19	50	8	20	90	10	165	130	200	12	3.5	175	175	230	345
PIM-3T4 B35	160	80	140	175	11	63	28	M10x22	60	8	24	100	12	215	180	250	14.5	4	200	196	260	385
PIM-4T4 B35	160	80	140	175	11	63	28	M10x22	60	8	24	100	12	215	180	250	14.5	4	200	196	260	385
PIM-5.5T4 B35	190	95	140	182	14	70	28	M10x22	60	8	24	112	12	215	180	250	14.5	4	230	220	290	400
PIM-7.5T4 B35	216	108	140	260	15	89	38	M12x28	80	10	33	132	12	265	230	300	14.5	4	270	259	338	470
PIM-10T4 B35	216	108	178	260	15	89	38	M12x28	80	10	33	132	12	265	230	300	14.5	4	270	259	338	510
PIM-1T2 B35	125	62.5	100	130	9	50	19	M6x16	40	6	15.5	80	10	165	130	200	12	3.5	165	155	215	295
PIM-1.5T2 B35	125	62.5	100	130	9	50	19	M6x16	40	6	15.5	80	10	165	130	200	12	3.5	165	155	215	295
PIM-2T2 B35	140	70	100	140	10	56	24	M8x19	50	8	20	90	10	165	130	200	12	3.5	180	175	230	315
PIM-3T2 B35	140	70	125	165	10	56	24	M8x19	50	8	20	90	10	165	130	200	12	3.5	180	175	230	345
PIM-4T2 B35	160	80	140	175	10	63	28	M10x22	60	8	24	100	12	215	180	250	14.5	4	205	195	260	384
PIM-5.5T2 B35	190	95	140	181	12	70	28	M10x22	60	8	24	112	12	215	180	250	14.5	4	230	240	290	400
PIM-7.5T2 B35	216	108	140	186	15	89	38	M12x28	80	10	33	132	12	265	230	300	14.5	4	270	275	338	470
PIM-10T2 B35	216	108	140	186	15	89	38	M12x28	80	10	33	132	12	265	230	300	14.5	4	270	275	338	470



Office in India

PRAKASH PUMP

Survey No. 479, Opp. Supreme Estate-1, Zak Kadadara Road, Vill. - Kadadara,
Tal. Dahegam, Gandhinagar, Gujarat 382305 INDIA E-mail: sale@prakashpump.com

Distributor Office for Middle East

PRAKASH PUMP EST

P.O. Box: 20973 Industrial Area Al Ain (United Arab Emirates)
Tel.: +971 3 7222733 Mob.: +971 50 6731283 E-mail: sale@prakashpump.com

Distributor Office for Oman

GLOBAL EQUIPMENT MATERIAL CO. LLC

P.O. Box. 227, Postal Code: 320 Nakhal Road, Barka (Sultanate of Oman)
Tel.: +968 26883982 Mob.: +968 94584686 E-mail: oman@prakashpump.com

Distributor Office for Saudi Arabia

PRAKASH PUMP INDUSTRY

P.O. Box 14327, Bldg. 3616, Al Marwah 6447, Al Mishael Riyadh City, (Kingdoms of Saudi Arabia)
Sulay Exit 18. Mobile: +966 539811109 Email: saudi@prakashpump.com

Factory Address

PANJI ENGINEERING PVT LTD

Survey No. 479, Opp. Supreme Estate-1, Zak Kadadara Road, Vill. - Kadadara,
Tal. Dahegam, Gandhinagar, Gujarat 382305 INDIA E-mail: sale@prakashpump.com



To get
Quotation by email



PRAKASHPUMPEST

These images given are only for illustration purpose
for further details contact the sales team at
sale@prakashpump.com / oman@prakashpump.com
/ saudi@prakashpump.com



To get
Website

