

PRAKASH

Quality, Reliability, Life

Openwell Monoset Pump



www.prakashpump.com

Applications

- Domestic water supply
- Hotels, Buildings, Apartments, Hospitals
- Small farms, Agriculture, Gardening
- Public water supply schemes
- Lift Irrigation Schemes
- Drip and Sprinkler Irrigation Schemes
- Booster application
- Circulation, Ornamental fountain installation and Air-conditioning plants
- Construction sites

Performance Range

- Flow : Up to 1800 LPM
- Head : Up to 60 m
- Rated Speed : 2900 RPM
- Power : 2.2 - 7.5kW
- Frequency : 50Hz

Application limits

- Liquid temperature : up to 40°C
- Ambient temperature : up to 40°C
- Maximum immersion depth : up to 8 m
- Minimum immersion depth : > 1 m
- Liquid PH : 6.5 - 8.5

Motor Details

- 2 Pole motor
- 100% Copper winding
- Protection class : IP68
- Insulation Class : F
- Voltage : Single Phase 220-240v, 50Hz
Three Phase 380-420v, 50Hz
- Cable length : 5 m

Installation and use

PRAKASH Openwell Monoset Pumps Series are designed and manufactured for optimum efficiency to cater different needs of water handling. The pump range is suitable for a wide range of applications in Agricultural, Domestic, Commercial establishments. These pumps have dynamically balanced rotors and impellers to insure vibration free performance and enhance life. Uni-casing construction, Flat performance curves at high delivery rates, to prevent motor overloading even during prolonged use, Good Suction capacities at both low and high delivery rates, Suitable for horizontal mounting with top central discharge, Reduced numbers of parts with space saving innovative construction. Designed to prevent overloading and motor burning, Replaceable wearing parts and hence longer life, Easy maintenance and spares availability, More hygienic & potable for drinking water.

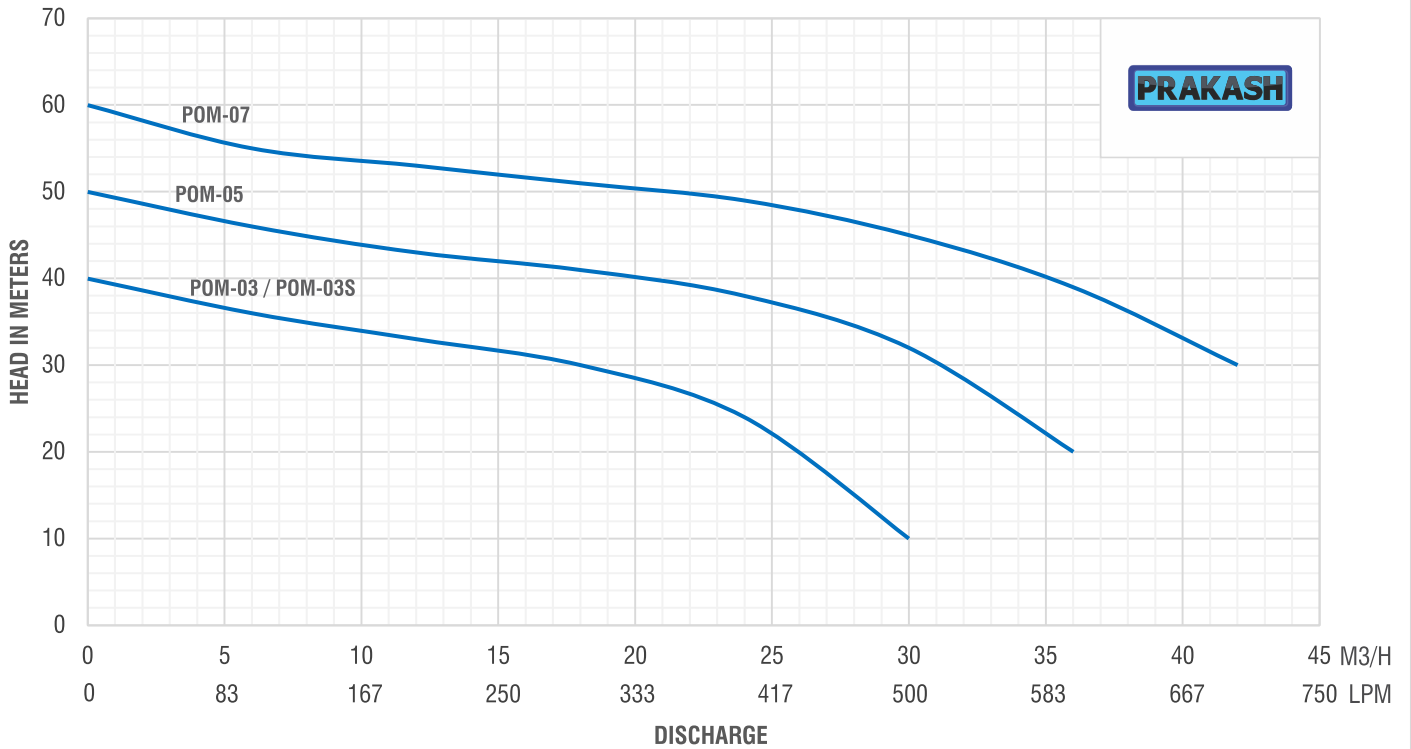
Pump selection chart

Model	Power		Voltage/ 50Hz	Phase	Rated Speed (RPM)	Inlet/Outlet (Inch)	Max. Flow (LPM)	Max. Head (m)	Net Weight (Kg)
	KW	HP							
POM-03S	2.2	3.0	220-240V	1 Φ	2900	2"X2"	500	40	50
POM-03	2.2	3.0	380-420V	3 Φ	2900	2"X2"	500	40	50
POM-05	3.7	5.0	380-420V	3 Φ	2900	2"X2"	600	50	52
POM-05A	3.7	5.0	380-420V	3 Φ	2900	3"X3"	1450	25	-
POM-07	5.5	7.5	380-420V	3 Φ	2900	2.5"X2"	750	60	71
POM-07A	5.5	7.5	380-420V	3 Φ	2900	3"X3"	1450	36	-
POM-10	7.5	10	380-420V	3 Φ	2900	3"X3"	1800	42	79

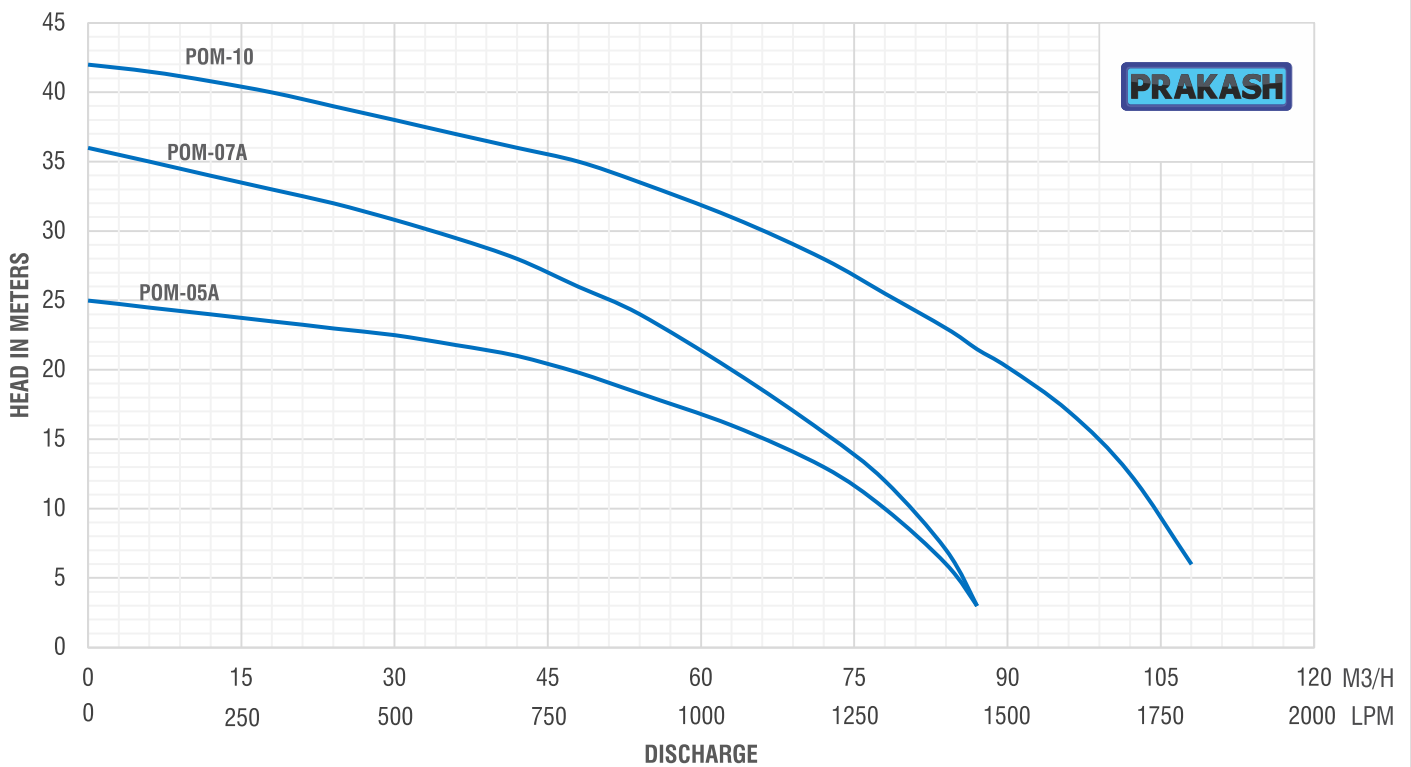
Pump Performance Chart

Model	Power		Q	US GPM	0	26	53	79	106	132	158	185	211	238	277	317	343	370	383	396	422	449	475
	KW	HP		M ³ /H	0	6	12	18	24	30	36	42	48	54	63	72	78	84	87	90	96	102	108
				LPM	0	100	200	300	400	500	600	700	800	900	1050	1200	1300	1400	1450	1500	1600	1700	1800
POM-03S	2.2	3.0	Head (m)	40	36	33	30	24	10														
POM-03	2.2	3.0	Head (m)	40	36	33	30	24	10														
POM-05	3.7	5.0	Head (m)	50	46	43	41	38	32	20													
POM-05A	3.7	5.0	Head (m)	25	24.5	24	23.5	23	22.5	22	21	20	18	16	13	10	6	3					
POM-07	5.5	7.5	Head (m)	60	55	53	51	49	45	39	30												
POM-07A	5.5	7.5	Head (m)	36	35	34	33	32	31	29.5	28	26	24	20	15.5	12	7	3					
POM-10	7.5	10	Head (m)	42	41.5	41	40.5	40	38	37	36	35	34	33	27	25	25	21.5	20	18	16	6	

HYDRAULIC PERFORMANCE CURVE POM-03/S, POM-05, POM-07, 2900RPM, 50Hz



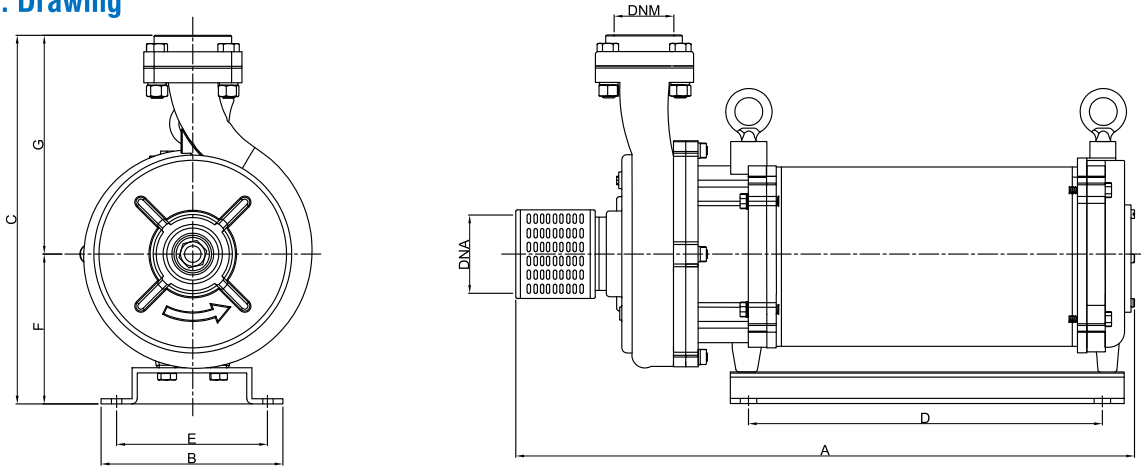
HYDRAULIC PERFORMANCE CURVE POM-05A, POM-07A, POM-10, 2900RPM, 50Hz



Openwell Monoset Pump



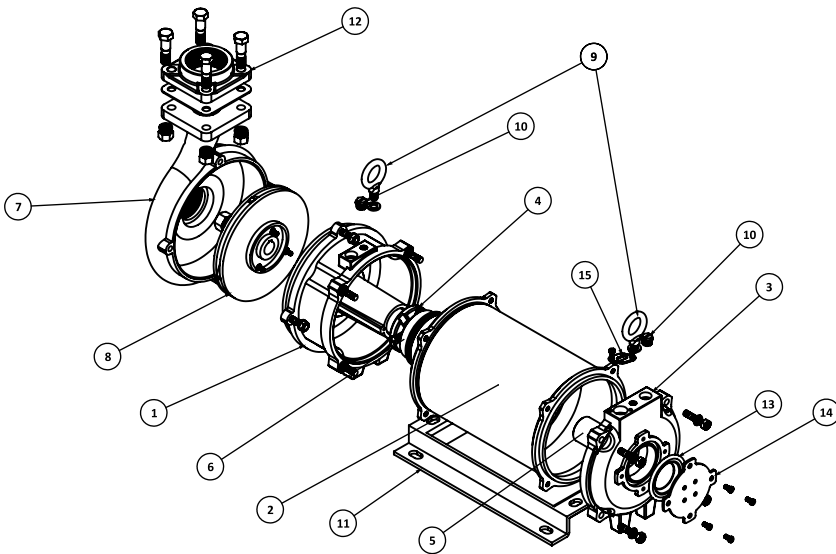
G.A. Drawing



Dimensions

MODEL	FLANGE		DIMENSIONS IN MM						
	DNA	DNM	A	B	C	D	E	F	G
POM-03S	2"	2"	550	176	358	260	145	145	212
POM-03	2"	2"	550	176	358	260	145	145	212
POM-05	2"	2"	566	176	357	260	145	145	212
POM-05A	3"	3"	566	176	357	260	145	145	212
POM-07	2.5"	2"	620	176	380	260	145	155	225
POM-07A	3"	3"	620	176	380	260	145	155	225
POM-10	3"	3"	685	176	395	260	145	155	240

Exploded View



ITEM NO.	PART NUMBER	MATERIAL
1	Front Housing	Cast Iron FG200
2	Stator	-
3	Rear housing	Cast Iron FG200
4	Thrust Counter	-
5	Bearing Bush	LTB-4
6	Rotor	-
7	Delivery casing	Cast Iron FG200
8	Impeller	Cast Iron FG200
9	Hanging Hook	Mild Steel
10	Drain plug	SS
11	Base Stand	MS
12	Flange	Cast Iron
13	Diaphragm	NBR
14	Diaphragm Plate	SS
15	Cable Clip	SS



Office in India

PRAKASH PUMP

Survey No. 479, Opp. Supreme Estate-1, Zak Kadadara Road, Vill. - Kadadara,
Tal. Dahegam, Gandhinagar, Gujarat 382305 INDIA E-mail: sale@prakashpump.com

Distributor Office for Middle East

PRAKASH PUMP EST

P.O. Box: 20973 Industrial Area Al Ain (United Arab Emirates)
Tel.: +971 3 7222733 Mob.: +971 50 6731283 E-mail: sale@prakashpump.com

Distributor Office for Oman

GLOBAL EQUIPMENT MATERIAL CO. LLC

P.O. Box. 227, Postal Code: 320 Nakhal Road, Barka (Sultanate of Oman)
Tel.: +968 26883982 Mob.: +968 94584686 E-mail: oman@prakashpump.com

Distributor Office for Saudi Arabia

PRAKASH PUMP INDUSTRY

P.O. Box 14327, Bldg. 3616, Al Marwah 6447, Al Mishael Riyadh City, (Kingdoms of Saudi Arabia)
Sulay Exit 18. Mobile: +966 539811109 Email: saudi@prakashpump.com

Factory Address

PANJI ENGINEERING PVT LTD

Survey No. 479, Opp. Supreme Estate-1, Zak Kadadara Road, Vill. - Kadadara,
Tal. Dahegam, Gandhinagar, Gujarat 382305 INDIA E-mail: sale@prakashpump.com



To get
Quotation by email



PRAKASHPUMPEST

These images given are only for illustration purpose
for further details contact the sales team at
sale@prakashpump.com / oman@prakashpump.com
/ saudi@prakashpump.com



To get
Website

