



Quality, Reliability, Life

# Vertical Multistage Stainless Steel Pump



[www.prakashpump.com](http://www.prakashpump.com)

## Applications

This series are suitable for transferring liquids of low viscosity, non-inflammable and non-Explosive, not containing solid particles or fibers.

- Water supply: Water supply and drainage for high-rise buildings, filtration and transfer at waterworks, pressure boosting in main pipe
- Industry: Washing and cleaning systems, boiler feeding, cooling water circulation, water treatment systems, auxiliary systems, support equipments.
- Water treatment: ultra-filtration systems, reverse-osmosis systems, distillation systems, separators, swimming pools.
- Agricultural irrigation: sprinkler irrigation ,drip-feed irrigation
- Food and beverage industry
- Fire-fighting systems

## Application Limits

Low viscosity non-inflammable and non-explosive liquids not containing solid particles or fibers. The liquids must not chemically attack the pump materials. When pumping liquids with a density is higher than that of water, a motor with a higher output power rating shall be used.

- Liquid temperature : -20°C +120°C
- Flow rage :- 1.2-240m<sup>3</sup>/h
- Liquid pH value :- 4-10
- Max. ambient temperature :- +40°C
- Max. operation pressure :- 33 bar
- Altitude :- up to 1000m
- Density :- 998.2 Kg/m<sup>3</sup>

## Description

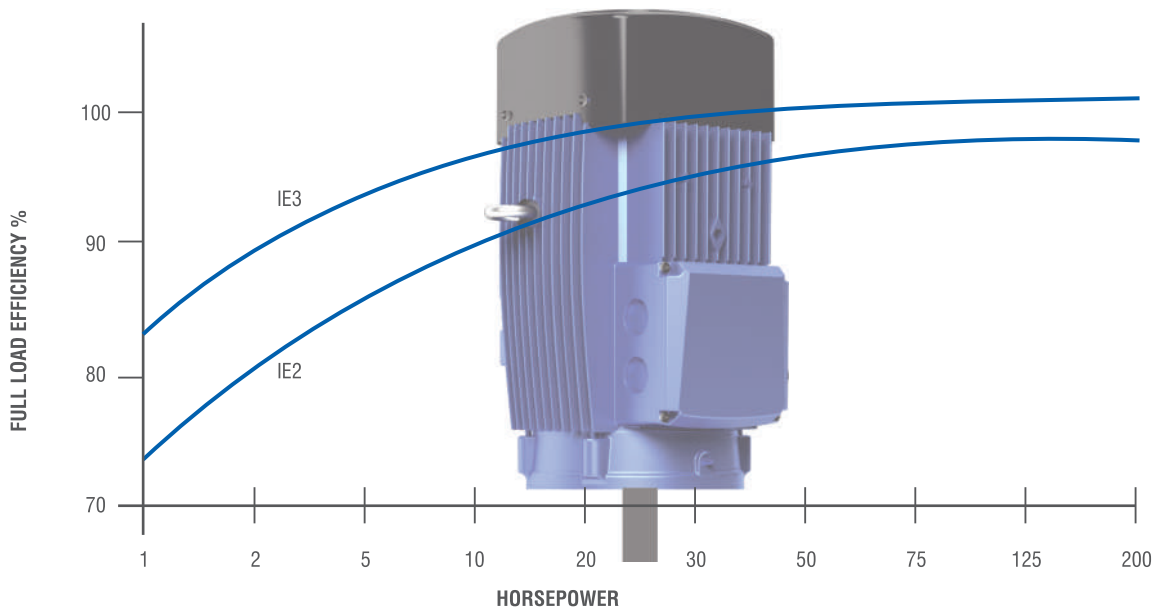
Stainless steel vertical multistage centrifugal pumps for high pressure water supply system, which are compact in size and maintain constant pressure.

## Features

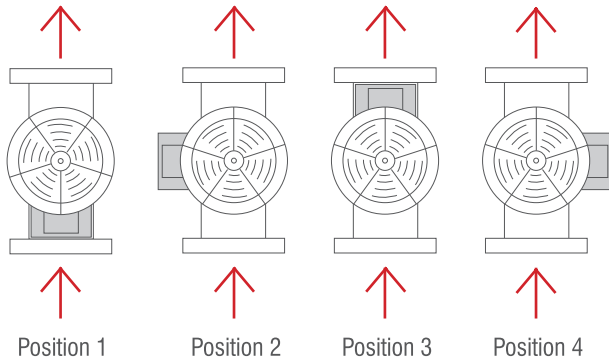
Compact, Nice Appearance, Efficient, Low Noise, Reliable Seal, Easy to use and Maintain.

## Motor Details

- Totally enclosed and fan cooled motor
- Enclosure class : IP55
- Voltage: Single phase 220-240v, 50Hz, ±5%  
Three phase 380-420v, 50Hz, ±10%



## Motor Terminal Box Positions



(Note: Set to position 1 before delivery)

**PVMP(SS)**: Stainless steel wetted parts

**PVMP**: Cast iron base & pump head

## Condition For Minimum Inlet Pressure of Pump

- The liquid temperature is high.
- The flow is significantly higher than the rated flow.
- Water is drawn from depths.
- Water is drawn through long pipes.
- Inlet condition is poor.

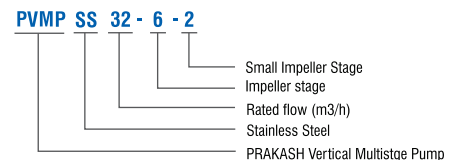
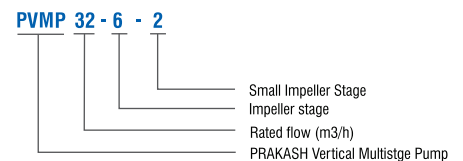
## MAXIMUM INLET PRESSURE

Model	Max. Inlet Pressure (bar)
PVMP(SS)3-2 to 3-29	10
PVMP(SS)3-31 to 3-36	15
PVMP(SS)4-2	6
PVMP(SS)4-3 to 4-11	10
PVMP(SS)4-12 to 4-22	15
PVMP(SS)5-2 to 5-16	10
PVMP(SS)5-18 to 5-29	15
PVMP(SS)10-1 to 10-6	8
PVMP(SS)10-7 to 10-22	10
PVMP(SS)15-1 to 15-3	8
PVMP(SS)15-4 to 15-17	10
PVMP(SS)20-1 to 20-3	8
PVMP(SS)20-4 to 20-17	10
PVMP(SS)32-1-1 to 32-4	4
PVMP(SS)32-5-2 to 32-10	10
PVMP(SS)32-11 to 32-14	15
PVMP(SS)45-1-1 to 45-2	4

Model	Max. Inlet Pressure (bar)
PVMP(SS)45-3-2 to 45-5	10
PVMP(SS)45-6-2 to 45-13-2	15
PVMP(SS)64-1-1 to 64-2-2	4
PVMP(SS)64-2-1 to 64-4-2	10
PVMP(SS)64-4-1 to 64-8-1	15
PVMP(SS)90-1-1 to 90-1	4
PVMP(SS)90-2-2 to 90-3-2	10
PVMP(SS)90-3 to 90-6	15
PVMP(SS)120-1 to 120-2-1	10
PVMP(SS)120-2 to 120-5-1	15
PVMP(SS)120-5 to 120-7	20
PVMP(SS)150-1-1 to 150-2-2	10
PVMP(SS)150-2-1 to 150-4-1	15
PVMP(SS)150-4 to 150-6	20
PVMP(SS)200-1-D	10
PVMP(SS)200-1-C to 200-2-2C	15
PVMP(SS)200-2-C to 200-4	20

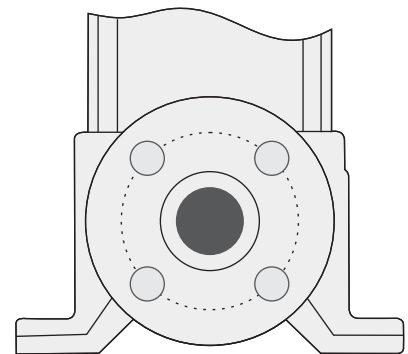
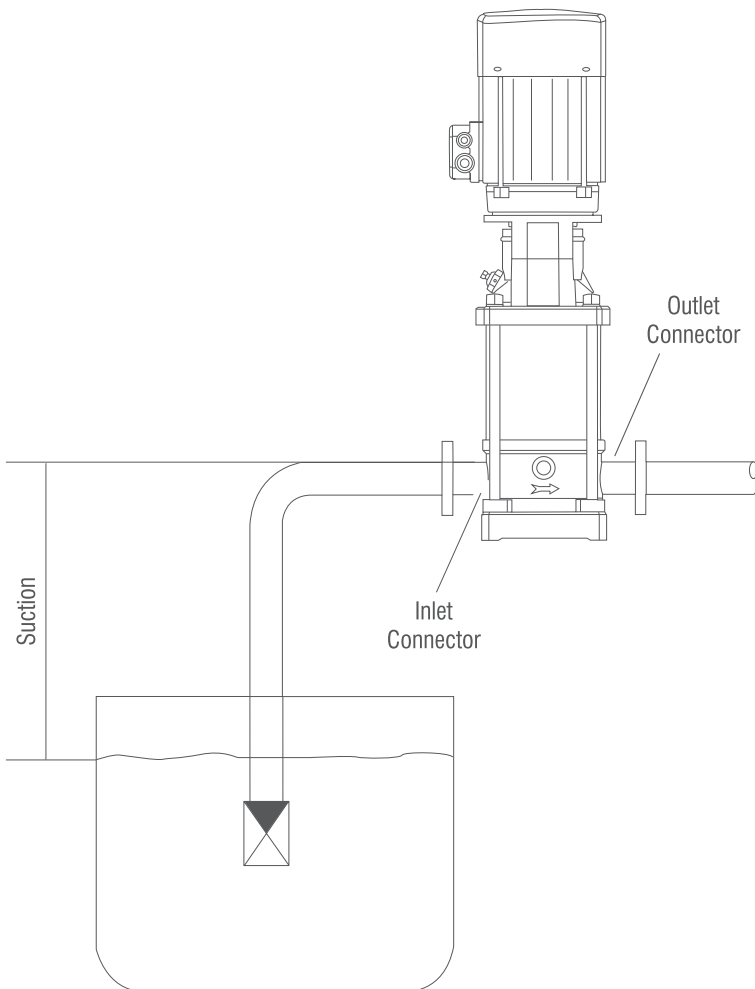
Model	PVMP Max. Inlet pressure(bar)		PVMPSS Max. Inlet pressure(bar)
	Oval Flange	DIN Flange	
PVMP(SS)3	16	25	25
PVMP(SS)4	16	25	25
PVMP(SS)5	16	25	25
PVMP(SS)10		25	25
PVMP(SS)15		25	25
PVMP(SS)20		25	25
PVMP(SS)32-1-1 to 32-7	16		16
PVMP(SS)32-8-2 to 32-14	30		30
PVMP(SS)45-1-1 to 45-5	16		16
PVMP(SS)45-6-2 to 45-11	30		30
PVMP(SS)45-12-2 to 45-13-2	33		33
PVMP(SS)64-1-1 to 64-5	16		16
PVMP(SS)64-6-2 to 64-8-1	30		30
PVMP(SS)90-1-1 to 90-4	16		16
PVMP(SS)90-5-2 to 90-6	30		30
PVMP(SS)120-1 to 120-7	20		20
PVMP(SS)150-1-1 to 150-6	20		20
PVMP(SS)200-1-D to 200-4	20		20

## Model Identification Code

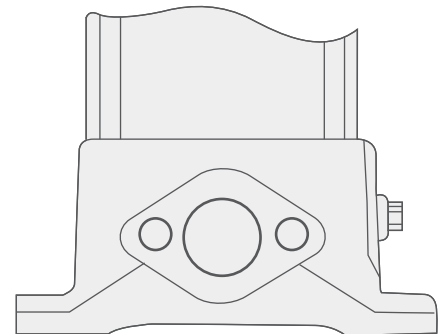


## Maximum Inlet Pressure

Product Range	PVMP(SS)3	PVMP(SS)4	PVMP(SS)5	PVMP(SS)10	PVMP(SS)15	PVMP(SS)20	PVMP(SS)32	PVMP(SS)45	PVMP(SS)64	PVMP(SS)90	PVMP(SS)120	PVMP(SS)150	PVMP(SS)200
<b>DESCRIPTION</b>													
Rated flow [m <sup>3</sup> /h]	3	4	5	10	15	20	32	45	64	90	120	150	200
Flow range [m <sup>3</sup> /h]	1.2-4.5	1.5-8	2.5-8.5	5-13	8-23	10.5-29	15-40	22-58	30-85	45-120	60-150	80-180	100-240
Max. pressure [bar]	24	21	24	22	23	25	28	33	22	20	16	16	16
Motor power [kW]	0.37-3	0.37-4	0.37-5.5	0.75-7.5	1.1-15	1.1-18.5	1.5-30	3-45	4-45	5.5-45	11-75	11-75	18.5-110
Temperature Range [t]	-20°C ~ +120°C (Note: Both the Max. permissible pressure and liquid temperature range refer to the pump capacity.)												
Max. pump efficiency [%]	55	59	60	65	70	72	78	79	80	81	74	73	79
Pipe connection-PVMP													
Oval flange	R <sub>2</sub> 1¼	R <sub>2</sub> 1¼	R <sub>2</sub> 1¼	-	-	-	-	-	-	-	-	-	-
DIN flange	DN32	DN32	DN32	DN40	DN50	DN50	DN65	DN80	DN100	DN100	DN125	DN125	DN150
Pipe connection-PVMP(S)													
Oval flange	-	-	-	-	-	-	-	-	-	-	-	-	-
DIN flange	DN32	DN32	DN32	DN40	DN50	DN50	DN65	DN80	DN100	DN100	DN125	DN125	DN150
Clamp connector	ø42	ø42	ø42	-	-	-	-	-	-	-	-	-	-
Threaded connector	R <sub>2</sub> 1¼	R <sub>2</sub> 1¼	R <sub>2</sub> 1¼	-	-	-	-	-	-	-	-	-	-

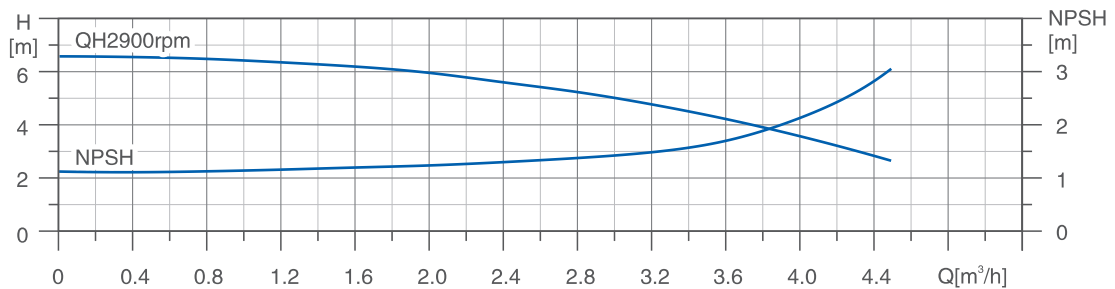
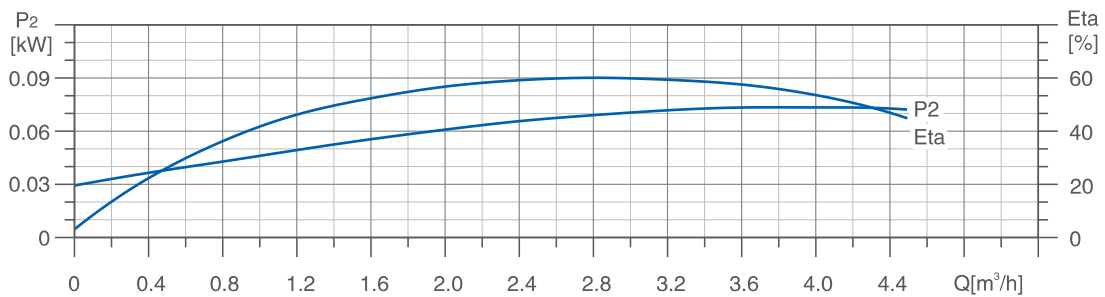
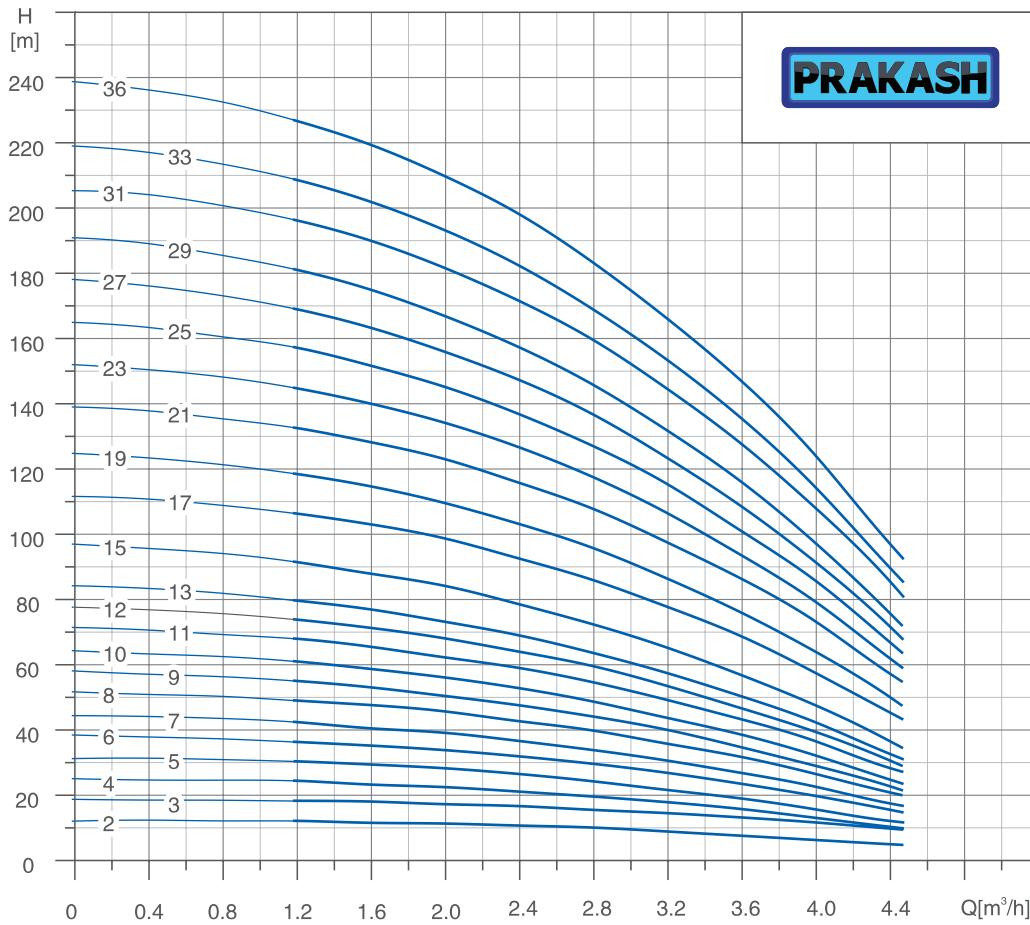


DIN FLANGE



OVAL FLANGE

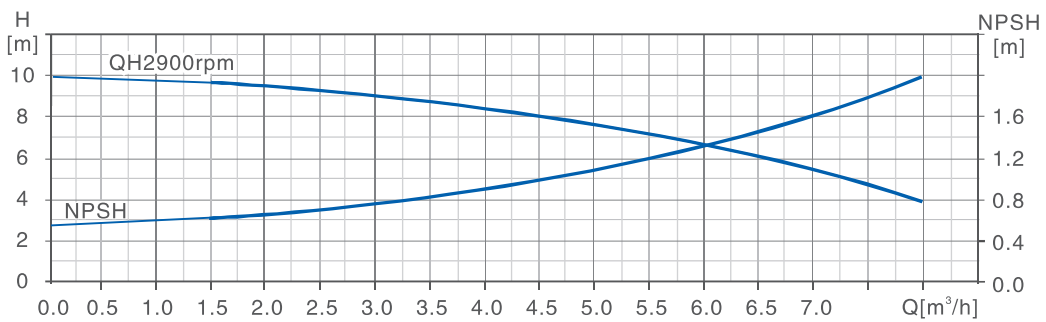
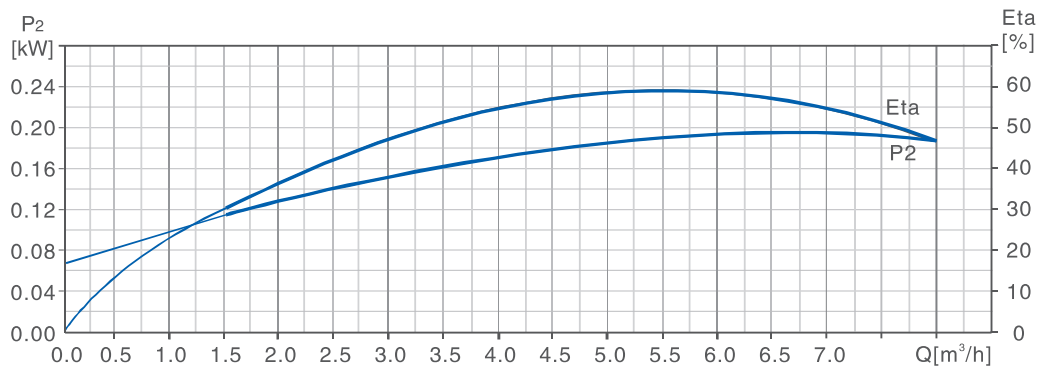
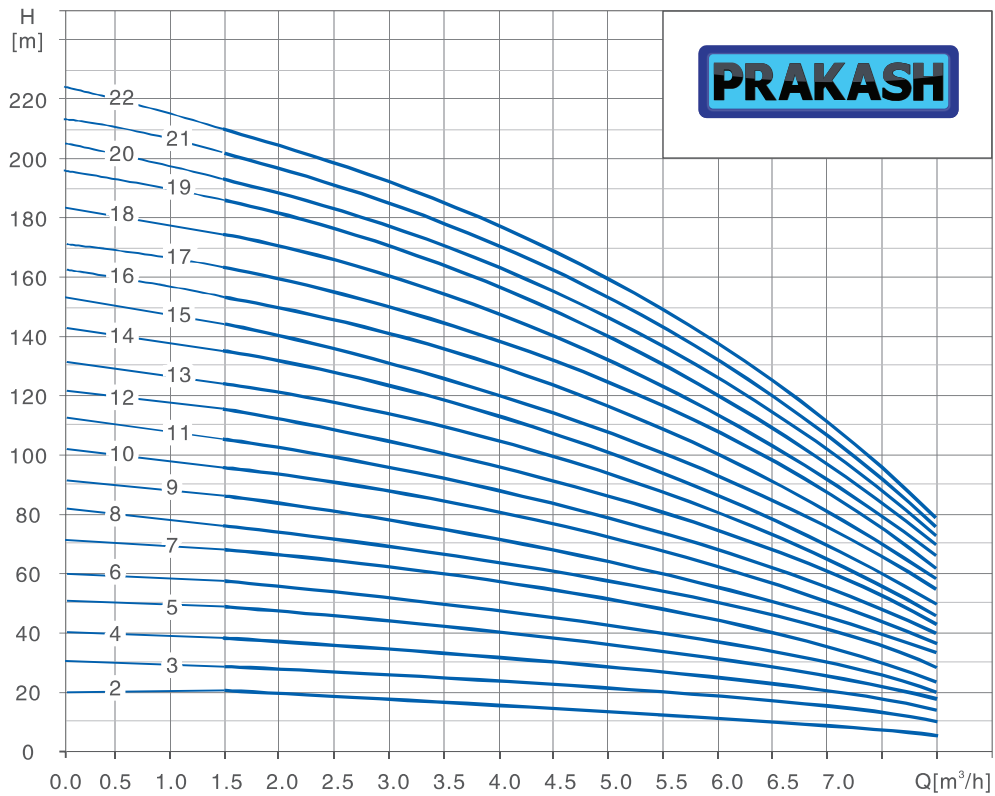
## HYDRAULIC PERFORMANCE CURVE PVMP3, 50Hz, 2900 rpm



SERVICE AT YOUR DOOR STEP ✓



**HYDRAULIC PERFORMANCE CURVE PVMP4, 50Hz, 2900 rpm**



**SERVICE AT YOUR DOOR STEP ✓**

# Vertical Multistage Stainless Steel Pump

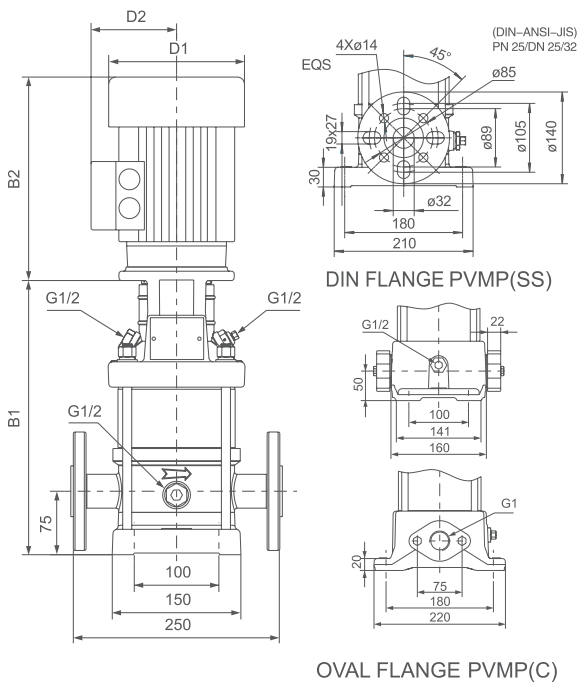


## PERFORMANCE CHART

PVMP4

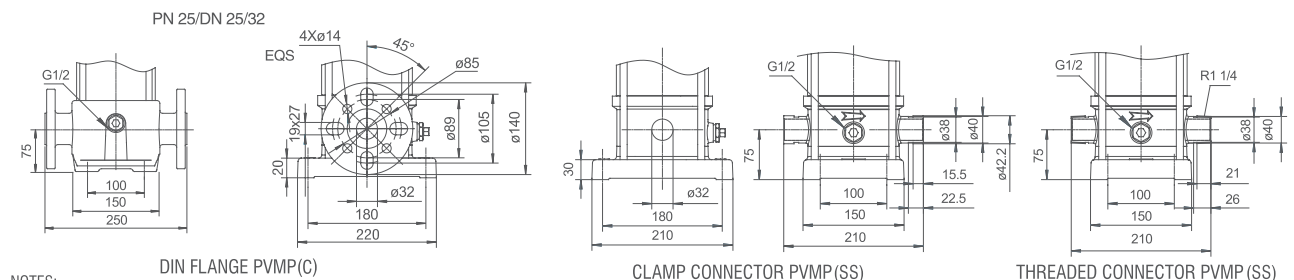
MODEL	POWER		Q	US GPM	7	9	13	18	22	26	31	35
	Kw	HP		LPM	25	33	50	67	83	100	117	133
				M <sup>3</sup> /h	1.5	2	3	4	5	6	7	8
PVMP(SS)4-2	0.37	0.5	Head (m)	19	18	17	14.5	13	10.5	8	6	
PVMP(SS)4-3	0.55	0.75	Head (m)	28	27	26	23.5	20	18	14	10	
PVMP(SS)4-4	0.75	1.0	Head (m)	38	36	34	31.5	27	24.5	18	13	
PVMP(SS)4-5	1.1	1.5	Head (m)	47	45	43	40.5	34	31.5	23	17	
PVMP(SS)4-6	1.1	1.5	Head (m)	56	54	52	47.5	41	36	28	20	
PVMP(SS)4-7	1.5	2.0	Head (m)	66	63	61	57	48	44.5	34	24	
PVMP(SS)4-8	1.5	2.0	Head (m)	74	72	70	64	55	49.5	38	27	
PVMP(SS)4-9	2.2	3.0	Head (m)	86	81	78	72	63	56	44	32	
PVMP(SS)4-10	2.2	3.0	Head (m)	96	90	87	81	71	64	50	34	
PVMP(SS)4-11	2.2	3.0	Head (m)	105	99	95	88	78	69	53	39	
PVMP(SS)4-12	2.2	3.0	Head (m)	114	108	104	96	85	75	57	41	
PVMP(SS)4-13	3.0	4.0	Head (m)	123	117	113	103	93	83	63	45	
PVMP(SS)4-14	3.0	4.0	Head (m)	136	126	122	114	101	90	69	48	
PVMP(SS)4-15	3.0	4.0	Head (m)	142	135	131	120	108	96	73	52	
PVMP(SS)4-16	3.0	4.0	Head (m)	152	144	140	129	115	102	78	55	
PVMP(SS)4-17	4.0	5.5	Head (m)	163	153	149	137	122	108	83	62	
PVMP(SS)4-18	4.0	5.5	Head (m)	175	162	158	145	129	115	89	65	
PVMP(SS)4-19	4.0	5.5	Head (m)	183	171	168	155	137	123	95	67	
PVMP(SS)4-20	4.0	5.5	Head (m)	192	180	176	161	144	128	99	72	
PVMP(SS)4-21	4.0	5.5	Head (m)	203	200	184	169	152	134	103	75	
PVMP(SS)4-22	4.0	5.5	Head (m)	211	210	192	177	160	139	108	79	

## G.A Drawing



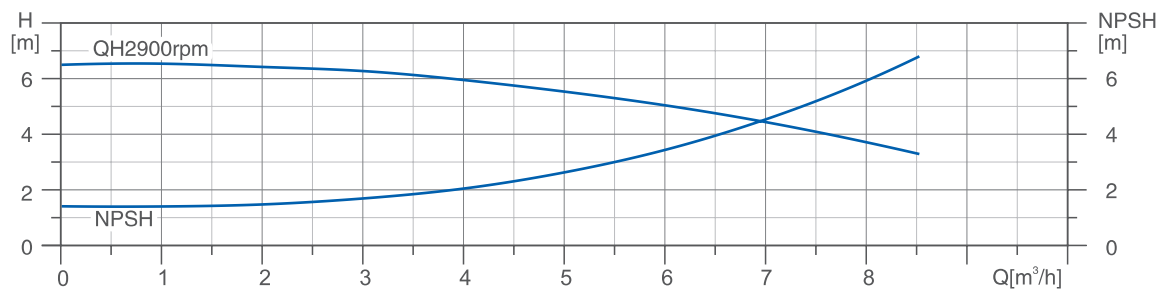
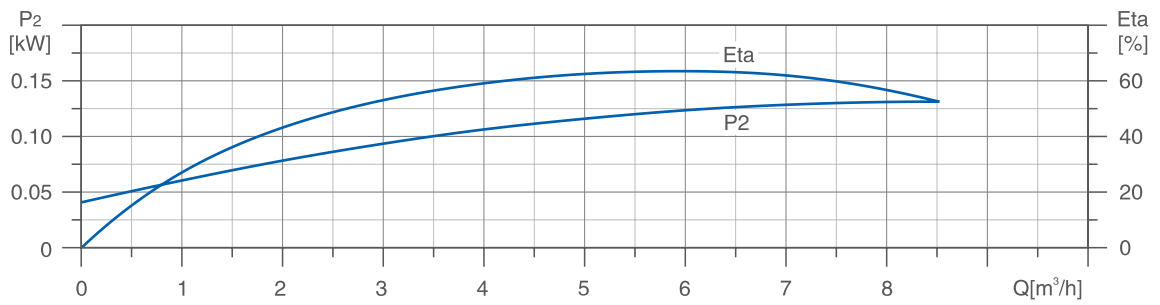
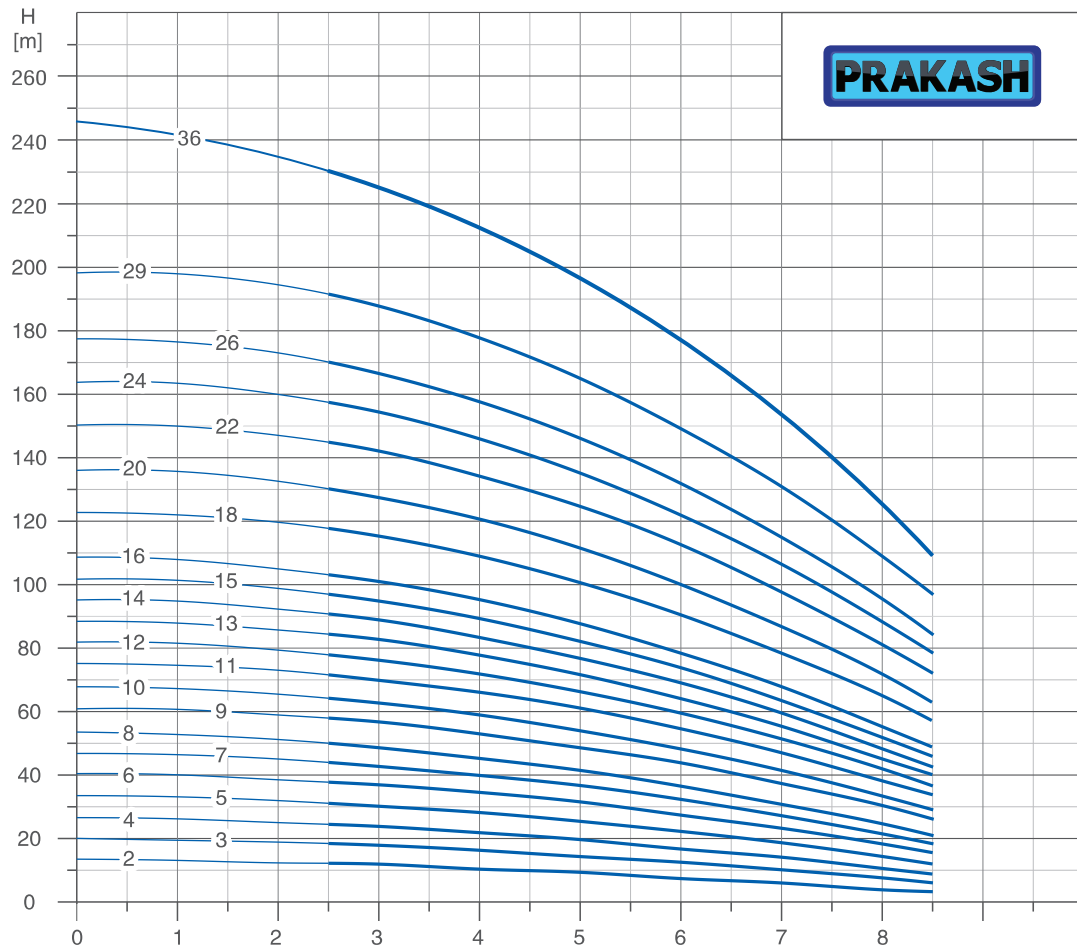
MODEL	OVAL FLANGE PVMP(C)		DIN FLANGE PVMP(SS)(C)		D1	D2	N. W. (kgs)
	B1	B1+B2	B1	B1+B2			
PVMP(SS)4-2	256	470	282	496	130	105	22.4
PVMP(SS)4-3	283	497	309	523	130	105	23
PVMP(SS)4-4	314	582	340	608	150	125	25.2
PVMP(SS)4-5	341	609	367	635	150	125	27.2
PVMP(SS)4-6	368	636	394	662	150	125	27.4
PVMP(SS)4-7	411	729	437	755	164	127	34.4
PVMP(SS)4-8	438	756	464	782	164	127	35.6
PVMP(SS)4-9	465	783	491	809	164	127	35.9
PVMP(SS)4-10	492	810	518	836	164	127	36.9
PVMP(SS)4-11	519	837	545	863	164	127	38.7
PVMP(SS)4-12	546	864	572	890	164	127	39.8
PVMP(SS)4-13	577	917	603	943	186	120	47.6
PVMP(SS)4-14	604	944	630	970	186	120	48.2
PVMP(SS)4-15	631	971	657	997	186	120	48.8
PVMP(SS)4-16	658	998	684	1024	186	120	47.3
PVMP(SS)4-17	685	1025	711	1051	186	120	50.9
PVMP(SS)4-18	712	1052	738	1078	186	120	53.1
PVMP(SS)4-19	739	1079	756	1105	186	120	53.4
PVMP(SS)4-20	766	1106	792	1132	186	120	53.6
PVMP(SS)4-21	793	1133	819	1159	186	120	53.9
PVMP(SS)4-22	820	1160	846	1186	186	120	54.2

Note:- B1 and B1+B2 of clamp connector and threaded connector are in compliance with that of DIN flange.



NOTES:-  
 PVMP(C) = PRAKASH PUMP VERTICAL MULTISTAGE CENTRIFUGAL CAST IRON BASE AND PUMP COVER  
 PVMP(SS) = PRAKASH PUMP VERTICAL MULTISTAGE CENTRIFUGAL STAINLESS STEEL WETTED PARTS

HYDRAULIC PERFORMANCE CURVE PVMP5, 50Hz, 2900 rpm



SERVICE AT YOUR DOOR STEP ✓

# Vertical Multistage Stainless Steel Pump

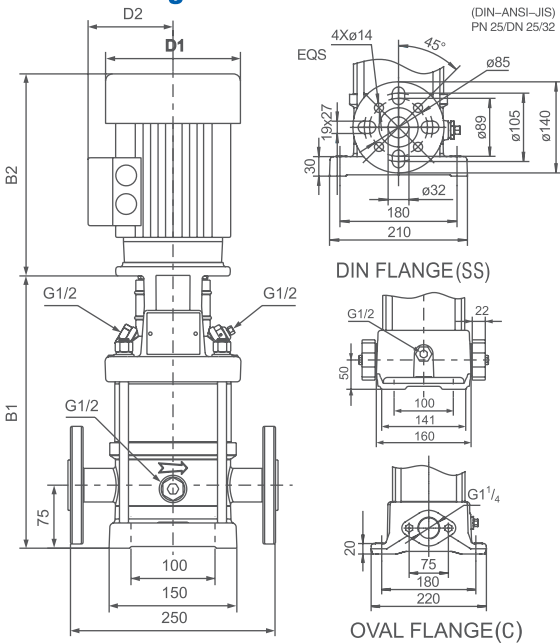


## PERFORMANCE CHART

PVMP5

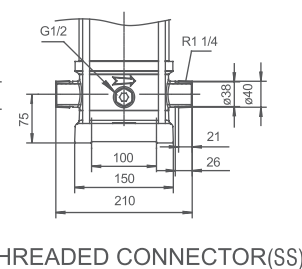
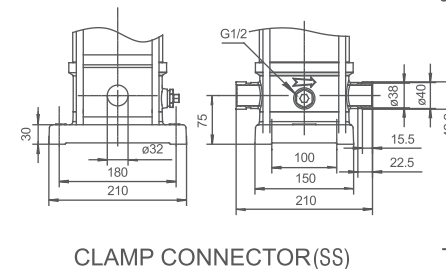
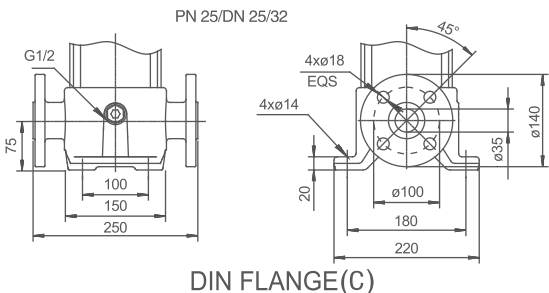
MODEL	POWER		Q	US GPM	11	13	18	22	26	31	35	37
	Kw	HP		LPM	42	50	67	83	100	117	133	142
				M <sup>3</sup> /h	2.5	3	4	5	6	7	8	8.5
PVMP(SS)5-2	0.37	0.5	Head (m)	12	12	10	9	7	6	4	3.5	
PVMP(SS)5-3	0.55	0.75	Head (m)	19	18	16	15	12	10	8	6	
PVMP(SS)5-4	0.55	0.75	Head (m)	24	24	22	19	16	14	10.5	9	
PVMP(SS)5-5	0.75	1.0	Head (m)	31	30	28	24	22	18	15	12	
PVMP(SS)5-6	1.1	1.5	Head (m)	38	37	34	28	27	23	19	15	
PVMP(SS)5-7	1.1	1.5	Head (m)	44	42	40	32	32	27	22	19	
PVMP(SS)5-8	1.1	1.5	Head (m)	50	48	45	40	36	31	25	21	
PVMP(SS)5-9	1.5	2.0	Head (m)	59	56	53	47	44	37	31	26	
PVMP(SS)5-10	1.5	2.0	Head (m)	65	62	59	53	48	41	34	29	
PVMP(SS)5-11	2.2	3.0	Head (m)	73	70	66	59	54	47	38	35	
PVMP(SS)5-12	2.2	3.0	Head (m)	78	76	72	63	59	51	42	38	
PVMP(SS)5-13	2.2	3.0	Head (m)	85	82	78	68	64	55	45	40	
PVMP(SS)5-14	2.2	3.0	Head (m)	91	89	83	74	69	60	58	53	
PVMP(SS)5-15	2.2	3.0	Head (m)	98	95	89	79	74	63	52	46	
PVMP(SS)5-16	2.2	3.0	Head (m)	103	101	95	85	78	68	55	49	
PVMP(SS)5-18	3.0	4.0	Head (m)	118	115	109	98	90	78	65	58	
PVMP(SS)5-20	3.0	4.0	Head (m)	130	127	120	108	100	87	72	64	
PVMP(SS)5-22	4.0	5.5	Head (m)	145	142	134	120	112	97	80	72	
PVMP(SS)5-24	4.0	5.5	Head (m)	158	154	146	132	122	106	88	78	
PVMP(SS)5-26	4.0	5.5	Head (m)	170	166	157	145	132	115	95	85	
PVMP(SS)5-29	4.0	5.5	Head (m)	192	188	178	155	149	131	109	98	
PVMP(SS)5-36	5.5	7.5	Head (m)	226	222	209	195	172	147	120	104	

## G.A Drawing



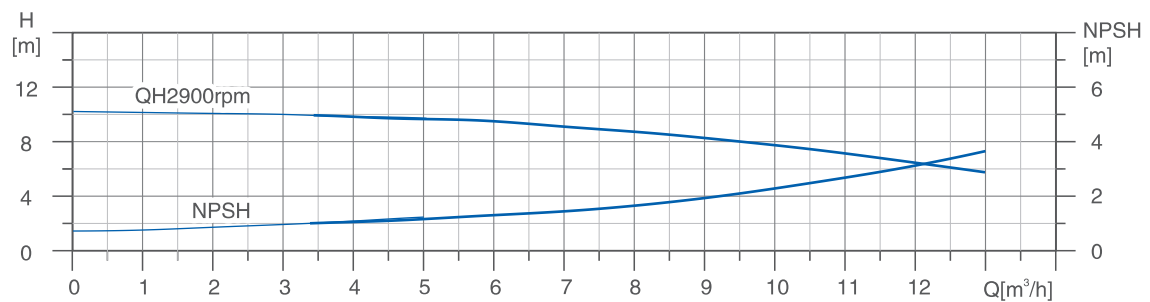
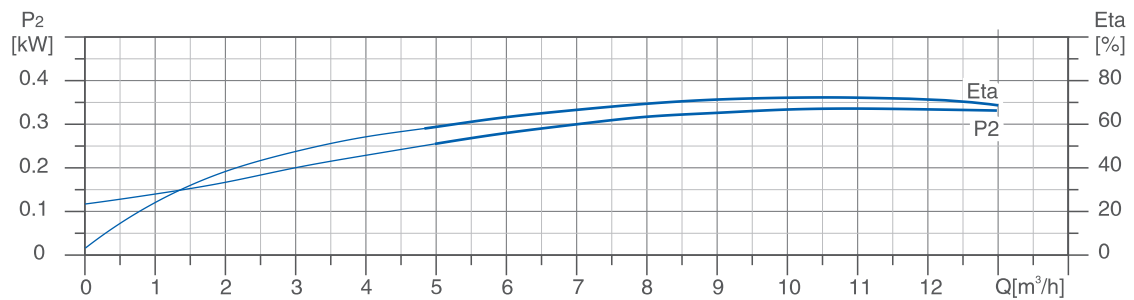
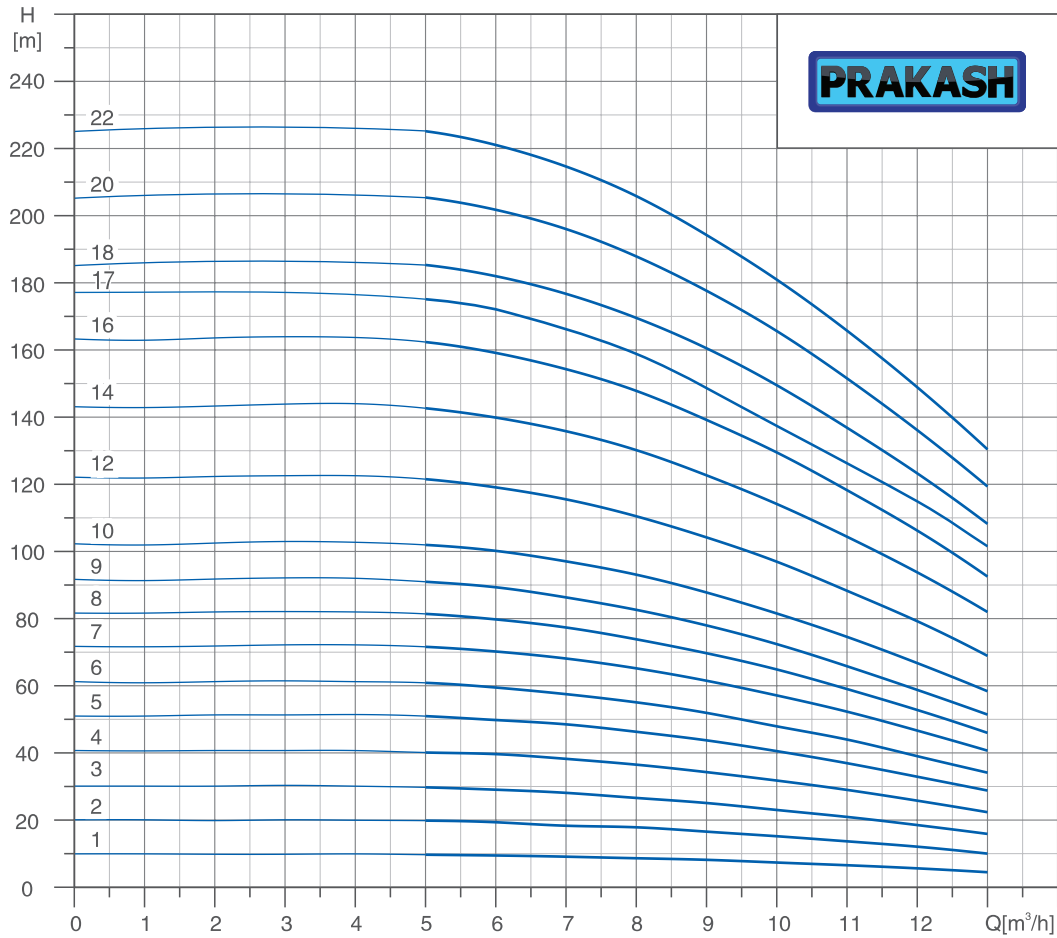
MODEL	OVAL FLANGE PVMP(C)		DIN FLANGE PVMP(SS)(C)		D1	D2	N.W. (kgs)
	B1	B1+B2	B1	B1+B2			
PVMP(SS)5-2	256	470	282	496	130	105	20.9
PVMP(SS)5-3	283	497	309	523	130	105	21.8
PVMP(SS)5-4	310	524	336	550	130	105	22.7
PVMP(SS)5-5	341	609	367	635	150	125	25.5
PVMP(SS)5-6	368	636	394	662	150	125	27.6
PVMP(SS)5-7	395	663	421	689	150	125	28.5
PVMP(SS)5-8	422	690	448	716	150	125	29.1
PVMP(SS)5-9	465	783	491	809	164	127	37.3
PVMP(SS)5-10	492	810	518	836	164	127	37.9
PVMP(SS)5-11	519	837	545	863	164	127	39.4
PVMP(SS)5-12	546	864	572	890	164	127	39.9
PVMP(SS)5-13	573	891	599	917	164	127	40.5
PVMP(SS)5-14	600	918	626	944	164	127	40.9
PVMP(SS)5-15	627	945	653	971	164	127	41.5
PVMP(SS)5-16	654	972	680	998	164	127	42.4
PVMP(SS)5-18	712	1052	738	1078	186	120	49.9
PVMP(SS)5-20	766	1106	792	1132	186	120	51.3
PVMP(SS)5-22	820	1160	846	1186	186	120	54.2
PVMP(SS)5-24	874	1214	900	1240	186	120	55.5
PVMP(SS)5-26	928	1268	954	1294	186	120	58.2
PVMP(SS)5-29	1009	1349	1035	1375	186	120	59.9
PVMP(SS)5-36	-	-	1249	1648	210	142	95

Note:- B1 and B1+B2 of clamp connector and threaded connector are in compliance with that of DIN flange.



NOTES:-  
 PVMP(C) = PRAKASH PUMP VERTICAL MULTISTAGE CENTRIFUGAL CAST IRON BASE AND PUMP COVER  
 PVMP(SS) = PRAKASH PUMP VERTICAL MULTISTAGE CENTRIFUGAL STAINLESS STEEL WETTED PARTS

HYDRAULIC PERFORMANCE CURVE PVMP10, 50Hz, 2900 rpm



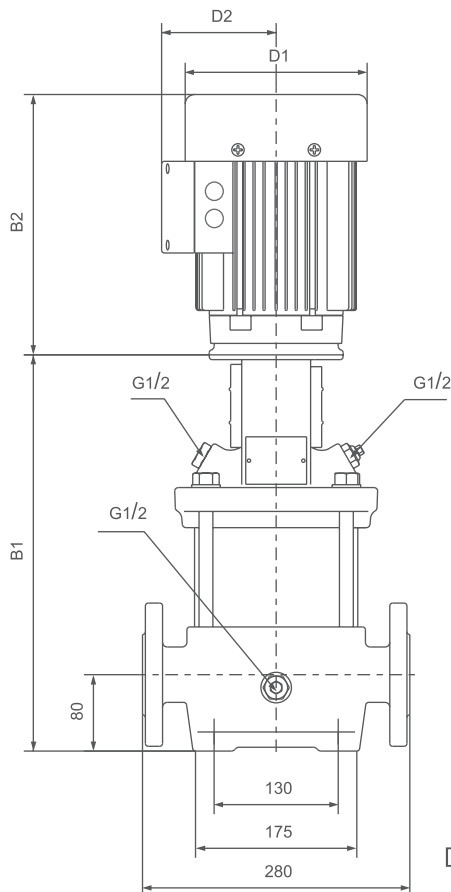
SERVICE AT YOUR DOOR STEP ✓

## PERFORMANCE CHART

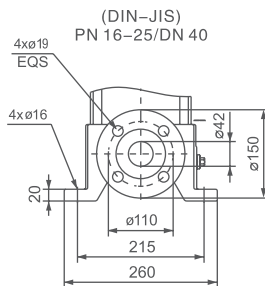
## PVMP10

MODEL	POWER		Q	US GPM	22	26	35	44	53	57
	Kw	HP		LPM	83	100	133	167	200	217
				M <sup>3</sup> /h	5	6	8	10	12	13
PVMP(SS)10-2	0.75	1.0	Head (m)	20	19	18	15	12	10	
PVMP(SS)10-3	1.1	1.5	Head (m)	30	29	26	23	18	16	
PVMP(SS)10-4	1.5	2.0	Head (m)	40	40	36	32	26	23	
PVMP(SS)10-5	2.2	3.0	Head (m)	51	50	46	40	33	29	
PVMP(SS)10-6	2.2	3.0	Head (m)	61	59	55	48	39	35	
PVMP(SS)10-7	3.0	4.0	Head (m)	72	70	65	56	46	41	
PVMP(SS)10-8	3.0	4.0	Head (m)	82	80	74	64	53	46	
PVMP(SS)10-9	3.0	4.0	Head (m)	92	89	82	70	59	52	
PVMP(SS)10-10	4.0	5.5	Head (m)	102	100	93	80	66	59	
PVMP(SS)10-12	4.0	5.5	Head (m)	122	119	110	95	79	69	
PVMP(SS)10-14	5.5	7.5	Head (m)	142	140	130	113	94	82	
PVMP(SS)10-16	5.5	7.5	Head (m)	162	159	148	128	106	93	
PVMP(SS)10-17	5.5	7.5	Head (m)	173	170	157	136	114	101	
PVMP(SS)10-18	7.5	10	Head (m)	185	182	169	147	123	109	
PVMP(SS)10-20	7.5	10	Head (m)	206	201	188	164	136	119	
PVMP(SS)10-22	7.5	10	Head (m)	226	221	206	178	147	130	

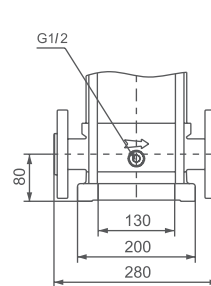
## G.A Drawing



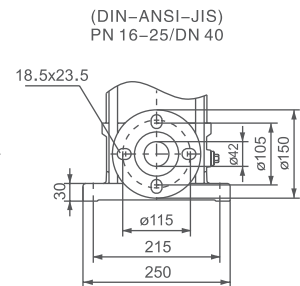
MODEL	DIN FLANGE PVMP(C)		DIN FLANGE PVMP(SS)		D1	D2	N.W. (kgs)
	B1	B1+B2	B1	B1+B2			
PVMP(SS)10-2	351	619	353	621	150	125	40.6
PVMP(SS)10-3	381	649	383	651	150	125	41.1
PVMP(SS)10-4	427	745	429	747	164	127	48.5
PVMP(SS)10-5	457	775	459	777	164	127	51.9
PVMP(SS)10-6	487	805	489	807	164	127	52.5
PVMP(SS)10-7	522	862	524	864	186	120	60.6
PVMP(SS)10-8	552	892	554	894	186	120	62.1
PVMP(SS)10-9	582	922	584	924	186	120	63.2
PVMP(SS)10-10	612	952	614	954	186	120	66.5
PVMP(SS)10-12	672	1012	674	1014	186	120	73.1
PVMP(SS)10-14	764	1161	766	1163	210	142	77.1
PVMP(SS)10-16	824	1221	826	1223	210	142	80.3
PVMP(SS)10-17	854	1251	856	1253	210	142	86.9
PVMP(SS)10-18	884	1281	886	1283	210	142	86.9
PVMP(SS)10-20	944	1341	946	1343	210	142	86.9
PVMP(SS)10-22	1004	1401	1006	1403	210	142	95.6



DIN FLANGE (C)

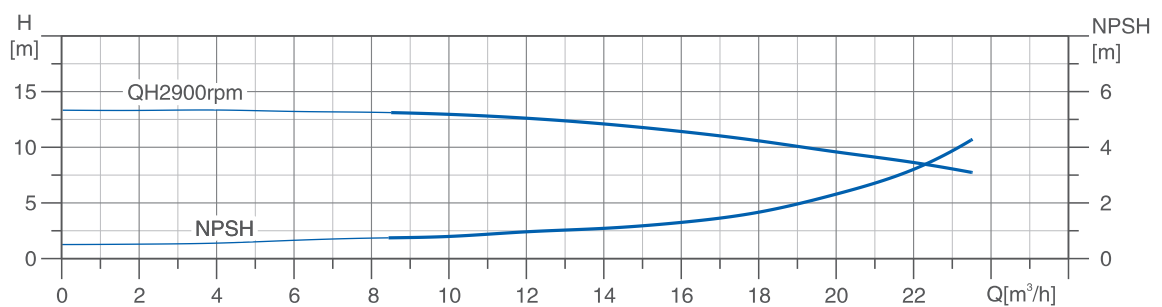
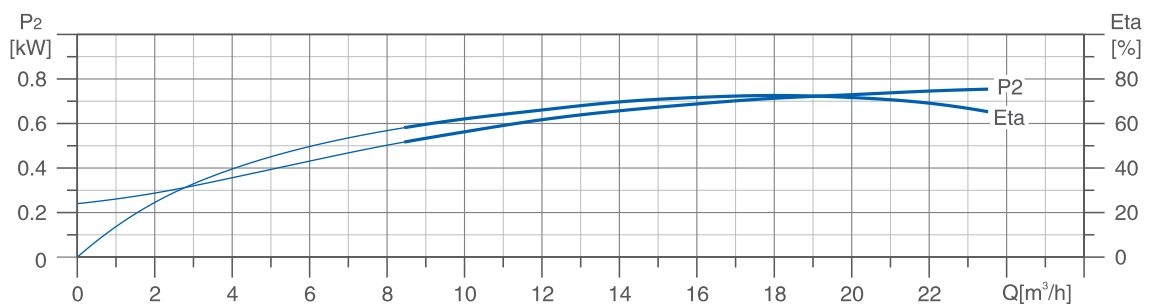
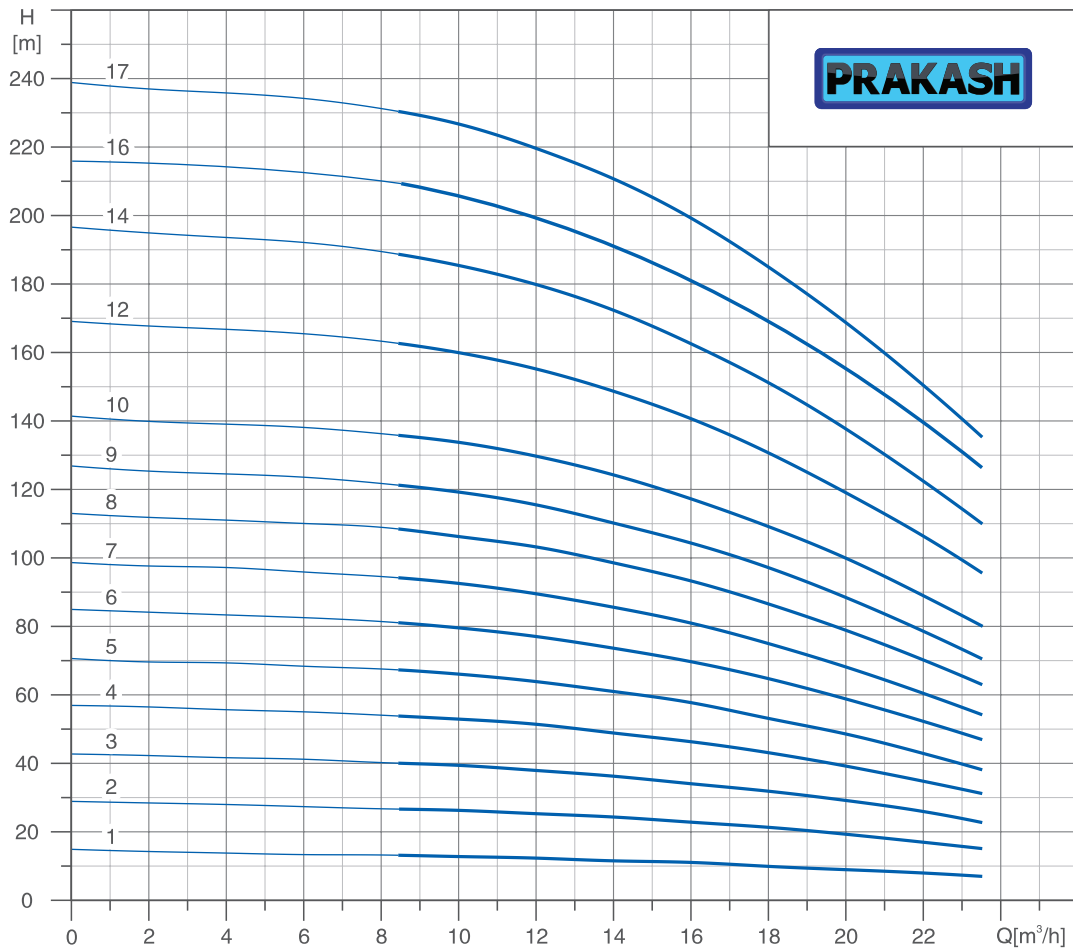


DIN FLANGE (SS)



NOTES:-  
 PVMP(C) = PRAKASH PUMP VERTICAL MULTISTAGE CENTRIFUGAL CAST IRON BASE AND PUMP COVER  
 PVMP(SS) = PRAKASH PUMP VERTICAL MULTISTAGE CENTRIFUGAL STAINLESS STEEL WETTED PARTS

HYDRAULIC PERFORMANCE CURVE PVMP15, 50Hz, 2900 rpm



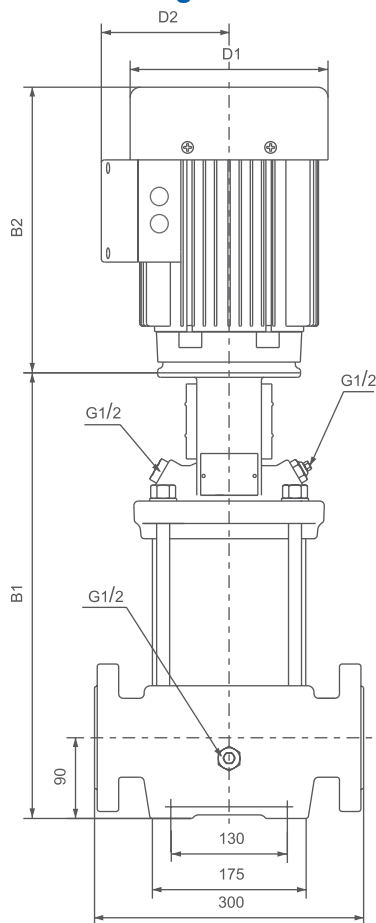
SERVICE AT YOUR DOOR STEP ✓

## PERFORMANCE CHART

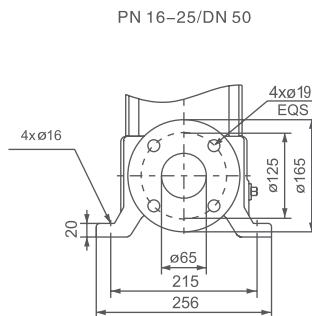
## PVMP15

MODEL	POWER		Q	US GPM	37	53	66	79	92	103
	Kw	HP		LPM	142	200	250	300	350	392
				M <sup>3</sup> /h	8.5	12	15	18	21	23.5
PVMP(SS)15-1	1.1	1.5	Head (m)	13	12	11	10	9	7	
PVMP(SS)15-2	2.2	3.0	Head (m)	26	25	23	21	18	15	
PVMP(SS)15-3	3.0	4.0	Head (m)	40	38	35	32	28	22	
PVMP(SS)15-4	4.0	5.5	Head (m)	55	51	47	43	38	32	
PVMP(SS)15-5	4.0	5.5	Head (m)	68	64	58	53	48	38	
PVMP(SS)15-6	5.5	7.5	Head (m)	81	77	71	64	58	47	
PVMP(SS)15-7	5.5	7.5	Head (m)	95	89	83	75	65	52	
PVMP(SS)15-8	7.5	10	Head (m)	108	103	96	86	75	62	
PVMP(SS)15-9	7.5	10	Head (m)	121	115	108	97	84	70	
PVMP(SS)15-10	11	15	Head (m)	136	129	120	109	95	80	
PVMP(SS)15-12	11	15	Head (m)	164	155	142	130	114	95	
PVMP(SS)15-14	11	15	Head (m)	189	180	166	151	130	110	
PVMP(SS)15-16	15	20	Head (m)	217	206	192	173	150	127	
PVMP(SS)15-17	15	20	Head (m)	231	219	205	185	160	135	

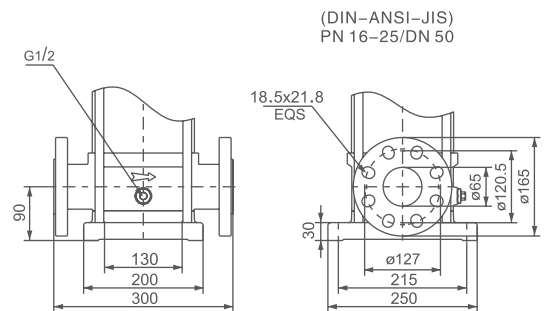
## G.A Drawing



MODEL	DIN FLANGE PVMP(C)		DIN FLANGE PVMP(SS)		D1	D2	N.W. (kgs)
	B1	B1+B2	B1	B1+B2			
PVMP(SS)15-1	354	622	352	620	150	125	44.9
PVMP(SS)15-2	415	733	413	731	164	127	52.5
PVMP(SS)15-3	465	805	463	803	186	120	60.9
PVMP(SS)15-4	510	850	508	848	186	120	64.1
PVMP(SS)15-5	555	895	553	893	186	120	65.2
PVMP(SS)15-6	632	1029	630	1027	210	142	75.1
PVMP(SS)15-7	677	1074	675	1072	210	142	76.1
PVMP(SS)15-8	722	1119	720	1117	210	142	83.6
PVMP(SS)15-9	767	1164	765	1162	210	142	83.8
PVMP(SS)15-10	889	1388	887	1386	254	175	133.2
PVMP(SS)15-12	979	1478	977	1476	254	175	134.7
PVMP(SS)15-14	1069	1568	1067	1566	254	175	137.2
PVMP(SS)15-16	1159	1658	1157	1656	254	175	154.6
PVMP(SS)15-17	1204	1703	1202	1701	254	175	155.9



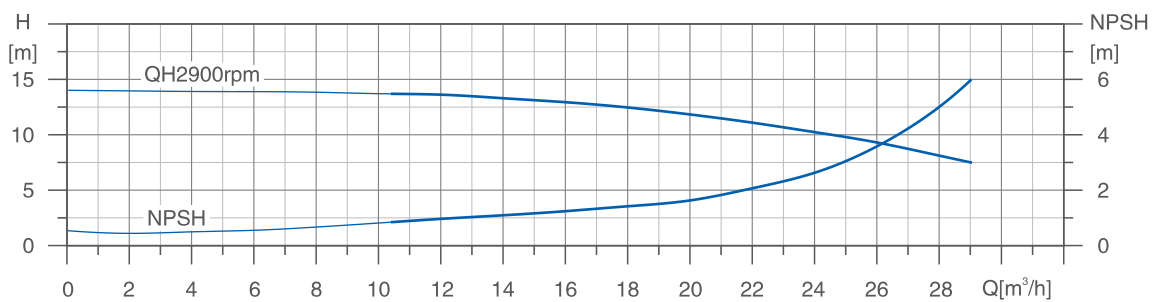
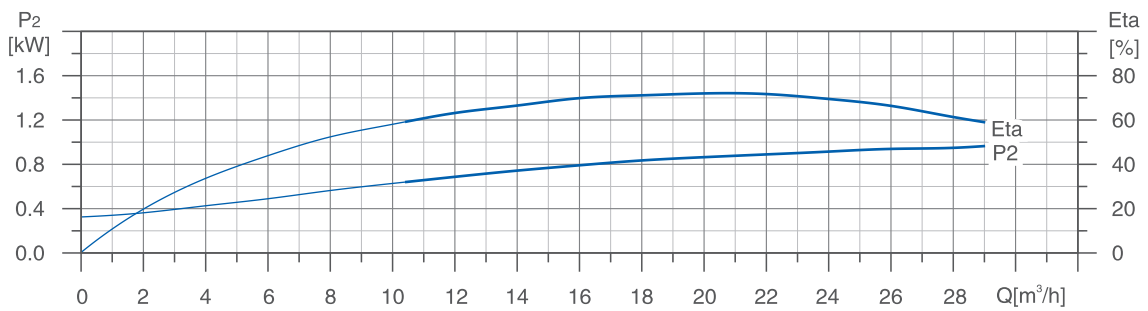
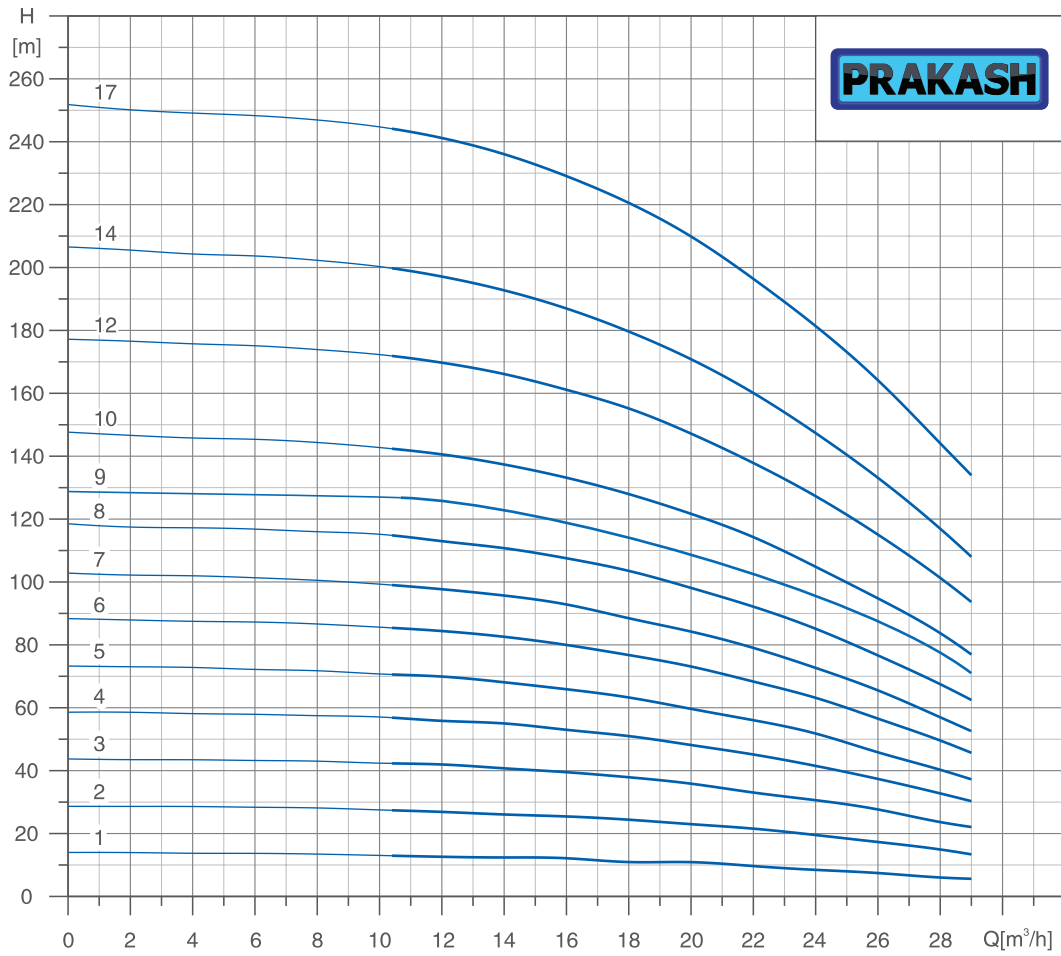
DIN FLANDE (C)



DIN FLANDE (SS)

NOTES:-  
 PVMP(C) = PRAKASH PUMP VERTICAL MULTISTAGE CENTRIFUGAL CAST IRON BASE AND PUMP COVER  
 PVMP(SS) = PRAKASH PUMP VERTICAL MULTISTAGE CENTRIFUGAL STAINLESS STEEL WETTED PARTS

HYDRAULIC PERFORMANCE CURVE PVMP20, 50Hz, 2900 rpm



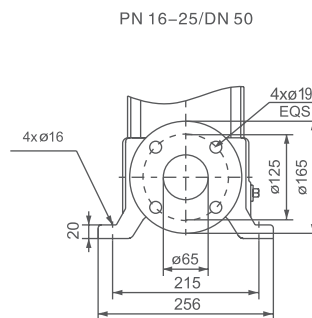
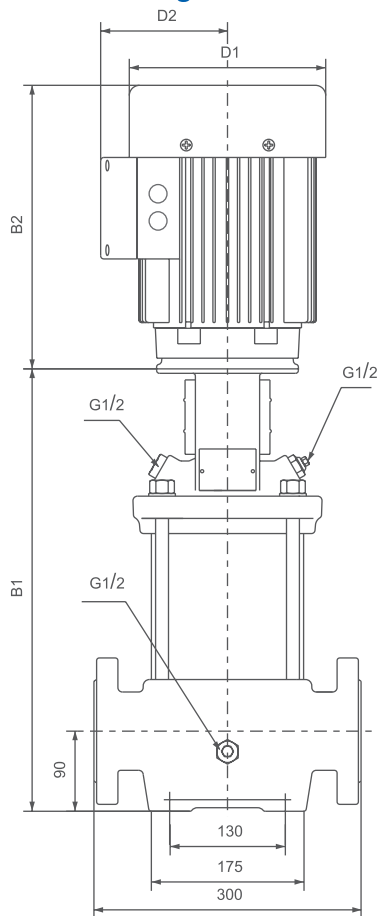
SERVICE AT YOUR DOOR STEP ✓

## PERFORMANCE CHART

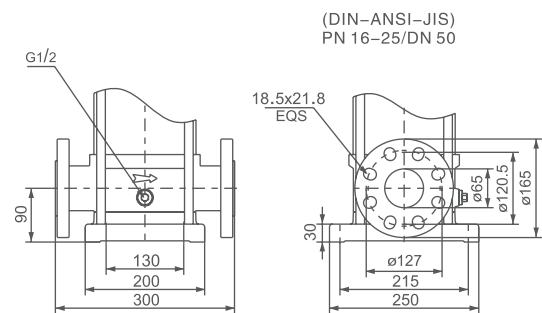
## PVMP20

MODEL	POWER		Q	US GPM	46	53	70	88	106	123	126
	Kw	HP		LPM	175	200	267	333	400	467	475
				M <sup>3</sup> /h	10.5	12	16	20	24	28	28.5
PVMP(SS)20-1	1.1	1.5	Head (m)	13	13	12	10.5	9	6.5	6	
PVMP(SS)20-2	2.2	3.0	Head (m)	28	27	25	22.5	19	15	13	
PVMP(SS)20-3	4.0	5.5	Head (m)	42	42	39	36	30	23	22	
PVMP(SS)20-4	5.5	7.5	Head (m)	58	56	53	48	41	32	30	
PVMP(SS)20-5	5.5	7.5	Head (m)	71	70	66	60	52	40	38	
PVMP(SS)20-6	7.5	10	Head (m)	86	84	80	72	62	49	45	
PVMP(SS)20-7	7.5	10	Head (m)	99	97	93	84	72	57	52	
PVMP(SS)20-8	11	15	Head (m)	115	113	107	96	85	67	63	
PVMP(SS)20-9	11	15	Head (m)	129	127	120	108	95	75	71	
PVMP(SS)20-10	11	15	Head (m)	142	140	132	120	105	83	78	
PVMP(SS)20-12	15	20	Head (m)	172	169	161	144	127	101	94	
PVMP(SS)20-14	15	20	Head (m)	200	197	187	168	147	117	109	
PVMP(SS)20-17	18.5	25	Head (m)	245	241	229	205	181	144	135	

## G.A Drawing



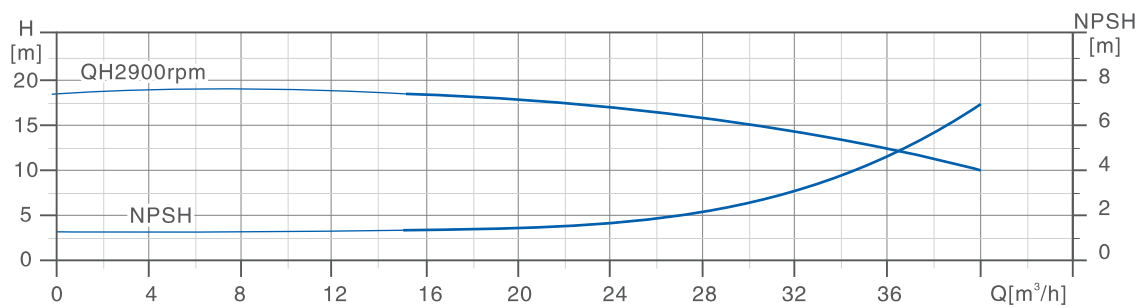
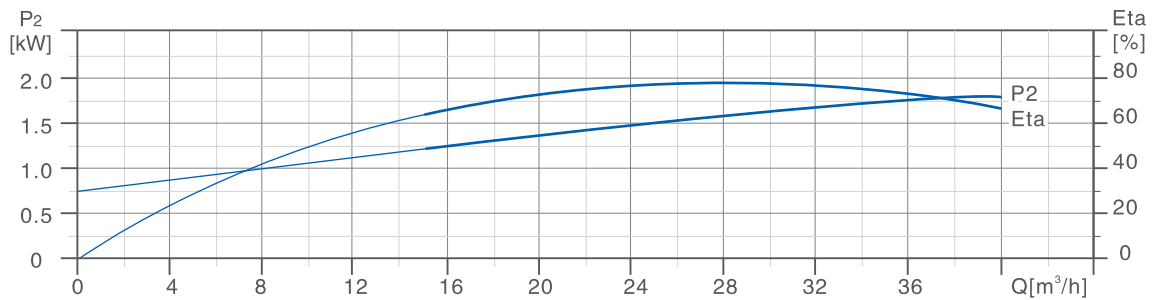
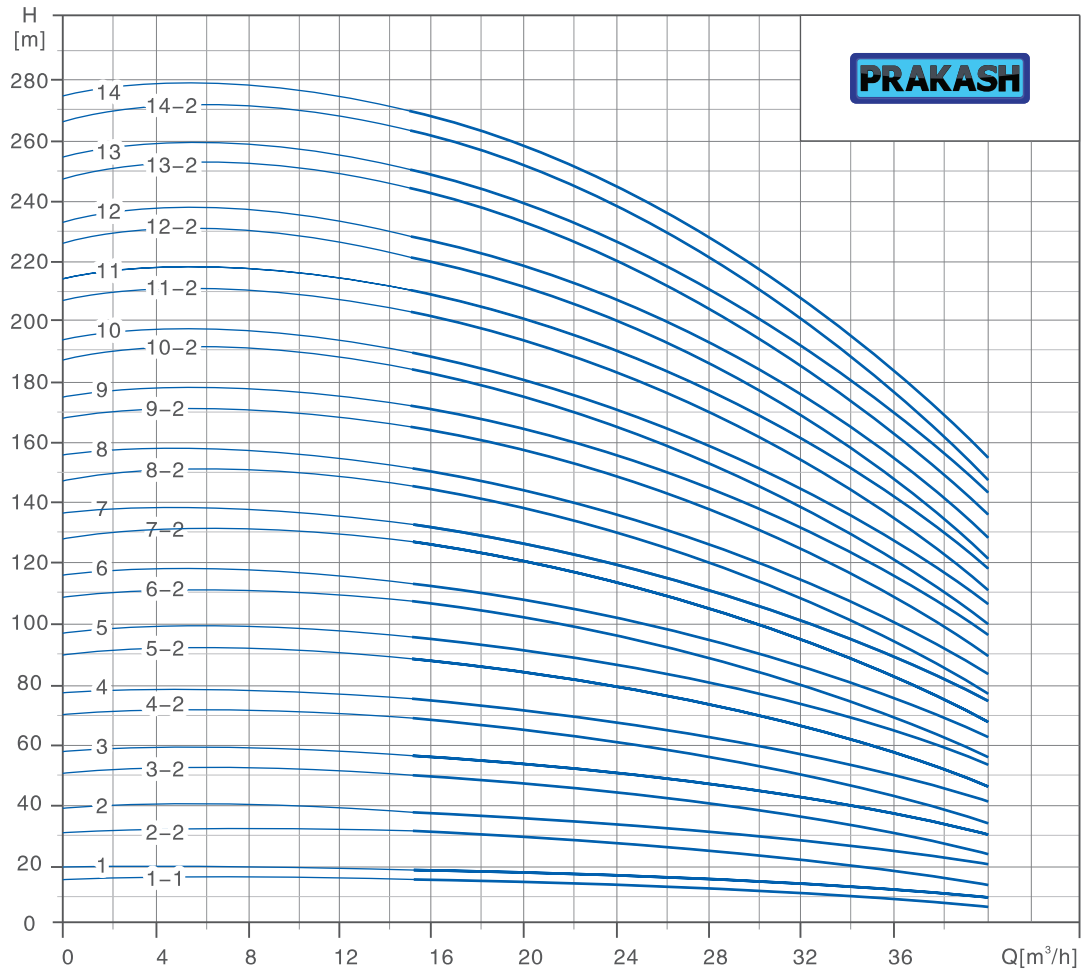
DIN FLANGE PVMP(C)



DIN FLANGE PVMP(SS)

NOTES:-  
 PVMP(C) = PRAKASH PUMP VERTICAL MULTISTAGE CENTRIFUGAL CAST IRON BASE AND PUMP COVER  
 PVMP(SS) = PRAKASH PUMP VERTICAL MULTISTAGE CENTRIFUGAL STAINLESS STEEL WETTED PARTS

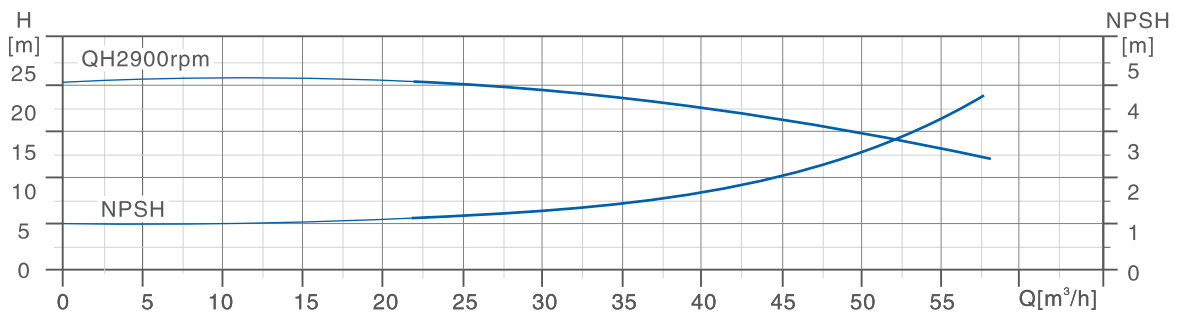
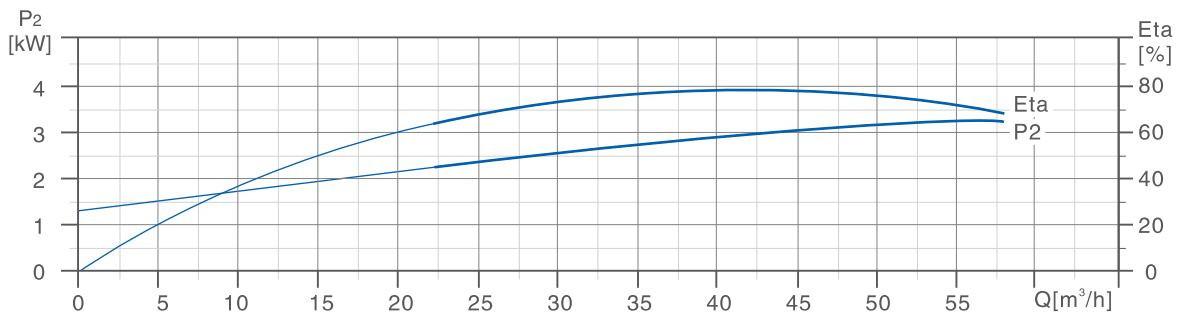
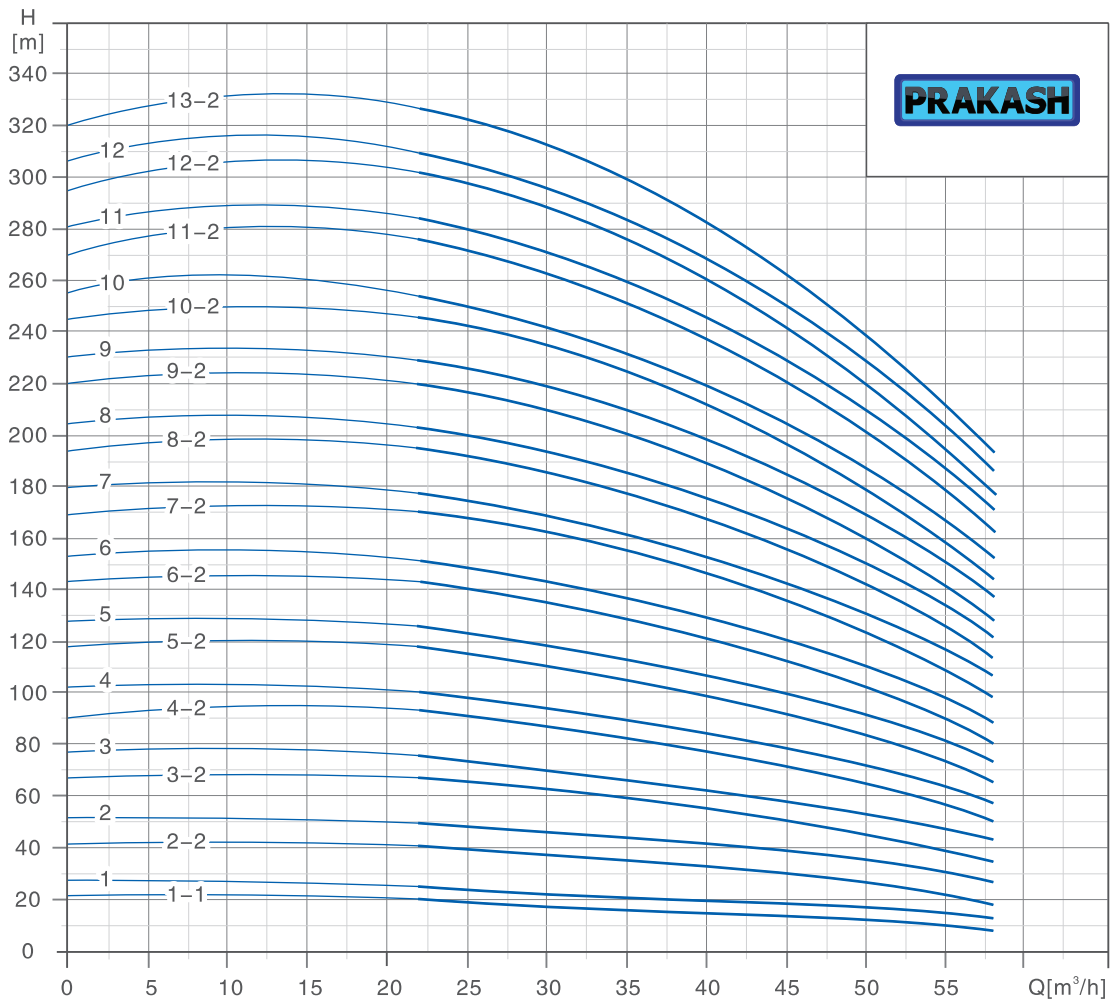
**HYDRAULIC PERFORMANCE CURVE PVMP32, 50Hz, 2900 rpm**



**SERVICE AT YOUR DOOR STEP ✓**



## HYDRAULIC PERFORMANCE CURVE PVMP45, 50Hz, 2900 rpm



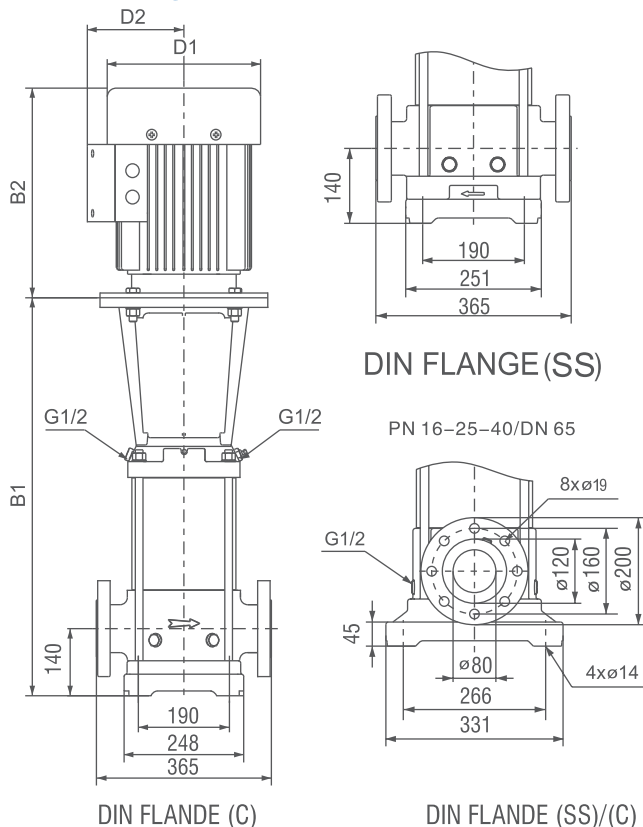
**SERVICE AT YOUR DOOR STEP ✓**

## PERFORMANCE CHART

## PVMP45

MODEL	POWER		Q	US GPM	110	132	154	176	198	220	242	255
	Kw	HP		LPM	417	500	583	667	750	834	917	967
				M <sup>3</sup> /h	25	30	35	40	45	50	55	58
PVMP(SS)45-1-1	3.0	4.0	Head (m)	20	19.5	18	17	15	12.5	10.5	8	
PVMP(SS)45-1	4.0	5.5	Head (m)	24	23	22	20.5	19	17.5	15	13	
PVMP(SS)45-2-2	5.5	7.5	Head (m)	41	39	37	34	30.5	26.5	22	18	
PVMP(SS)45-2	7.5	10	Head (m)	48.5	46.5	44.5	42	39	35	31	28	
PVMP(SS)45-3-2	11	15	Head (m)	66	64	61	56.5	52	46	40	35	
PVMP(SS)45-3	11	15	Head (m)	73.5	71	68	64	59.5	54	47.5	43	
PVMP(SS)45-4-2	15	20	Head (m)	91	88	84	78.5	72	64.5	56	50	
PVMP(SS)45-4	15	20	Head (m)	98.5	95	91	85.5	79.5	72.5	64	59	
PVMP(SS)45-5-2	18.5	25	Head (m)	116	113	107	101	92.5	83.5	73	66	
PVMP(SS)45-5	18.5	25	Head (m)	124	120	115	108	100	91.5	81	74	
PVMP(SS)45-6-2	22	30	Head (m)	142	137	131	122	113	103	90	82	
PVMP(SS)45-6	22	30	Head (m)	149	144	138	130	121	111	98	90	
PVMP(SS)45-7-2	30	40	Head (m)	168	163	156	147	135	123	109	99	
PVMP(SS)45-7	30	40	Head (m)	176	171	163	156	144	132	116	108	
PVMP(SS)45-8-2	30	40	Head (m)	193	187	179	168	155	142	126	115	
PVMP(SS)45-8	30	40	Head (m)	200	194	187	176	164	149	134	122	
PVMP(SS)45-9-2	30	40	Head (m)	217	211	202	189	175	159	142	130	
PVMP(SS)45-9	37	50	Head (m)	226	219	210	199	185	170	151	140	
PVMP(SS)45-10-2	37	50	Head (m)	243	236	225	212	196	179	159	146	
PVMP(SS)45-10	37	50	Head (m)	251	243	233	220	205	187	166	154	
PVMP(SS)45-11-2	45	60	Head (m)	273	264	253	238	222	201	179	164	
PVMP(SS)45-11	45	60	Head (m)	281	272	261	246	230	209	187	172	
PVMP(SS)45-12-2	45	60	Head (m)	298	289	276	261	242	220	195	179	
PVMP(SS)45-12	45	60	Head (m)	306	296	284	268	251	229	204	188	
PVMP(SS)45-13-2	45	60	Head (m)	323	313	300	283	263	239	212	195	

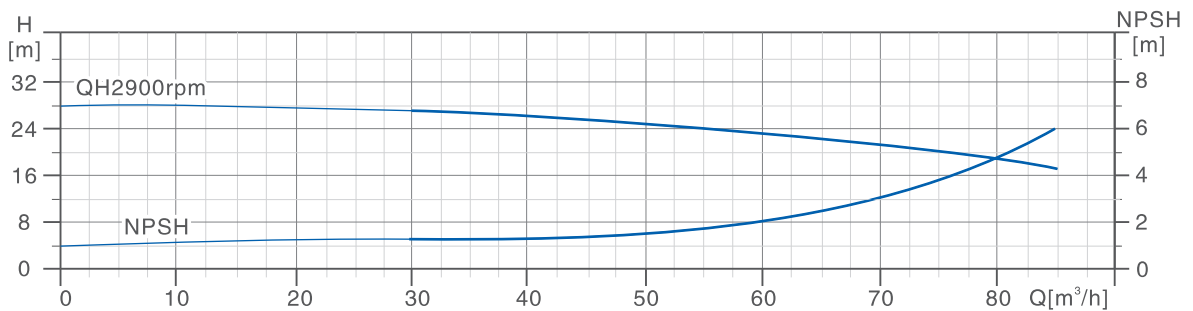
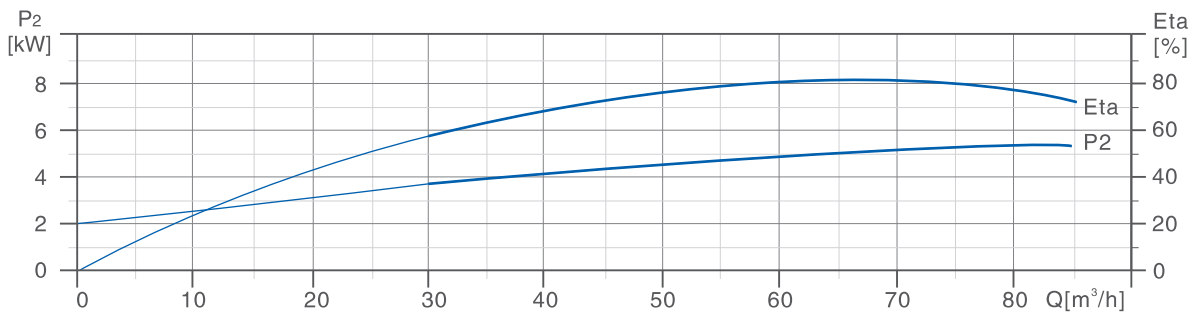
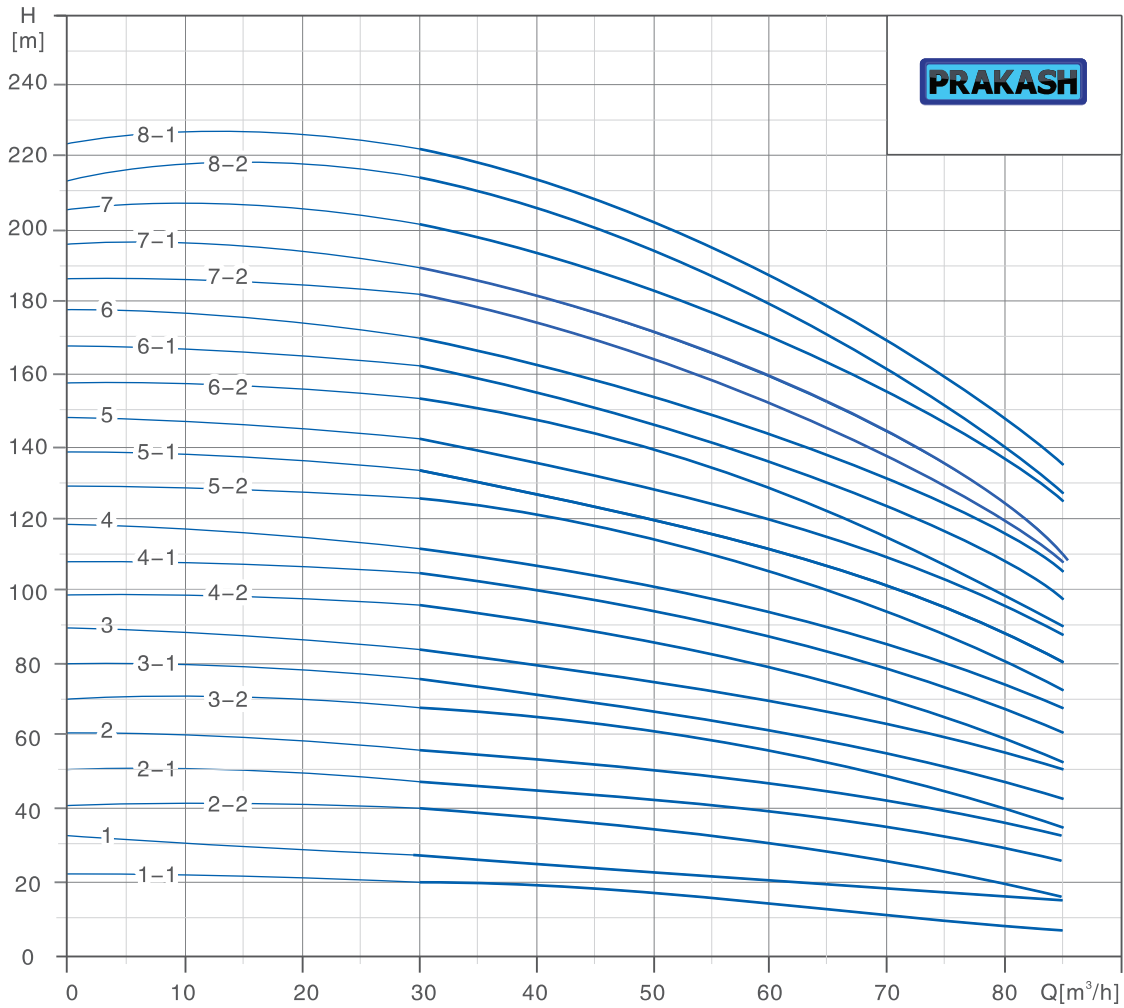
## G.A Drawing



MODEL	DIN FLANGE PVMP(SS)(C)		D1	D2	N.W. (kgs)
	B1	B1+B2			
PVMP(SS)45-1-1	560	900	186	120	81
PVMP(SS)45-1	560	900	186	120	83.2
PVMP(SS)45-2-2	640	1037	210	142	111.3
PVMP(SS)45-2	640	1037	210	142	115.5
PVMP(SS)45-3-2	830	1329	254	175	157.6
PVMP(SS)45-3	830	1329	254	175	157.6
PVMP(SS)45-4-2	910	1409	254	175	173.1
PVMP(SS)45-4	910	1409	254	175	173.1
PVMP(SS)45-5-2	990	1550	330	250	225
PVMP(SS)45-5	990	1550	330	250	225
PVMP(SS)45-6-2	1070	1670	380	280	264.8
PVMP(SS)45-6	1070	1670	380	280	264.8
PVMP(SS)45-7-2	1150	1830	420	305	325.2
PVMP(SS)45-7	1150	1830	420	305	325.2
PVMP(SS)45-8-2	1230	1910	420	305	328.2
PVMP(SS)45-8	1230	1910	420	305	328.2
PVMP(SS)45-9-2	1310	1990	420	305	330.9
PVMP(SS)45-9	1310	1990	420	305	349
PVMP(SS)45-10-2	1390	2070	420	305	352.5
PVMP(SS)45-10	1390	2070	420	305	352.5
PVMP(SS)45-11-2	1470	2185	470	335	416.3
PVMP(SS)45-11	1470	2185	470	335	416.3
PVMP(SS)45-12-2	1550	2265	470	335	419.1
PVMP(SS)45-12	1550	2265	470	335	419.1
PVMP(SS)45-13-2	1630	2345	470	335	421.6

NOTES:-  
 PVMP(C)= PRAKASH PUMP VERTICAL MULTISTAGE CENTRIFUGAL CAST IRON BASE AND PUMP COVER  
 PVMP(SS)= PRAKASH PUMP VERTICAL MULTISTAGE CENTRIFUGAL STAINLESS STEEL WETTED PARTS

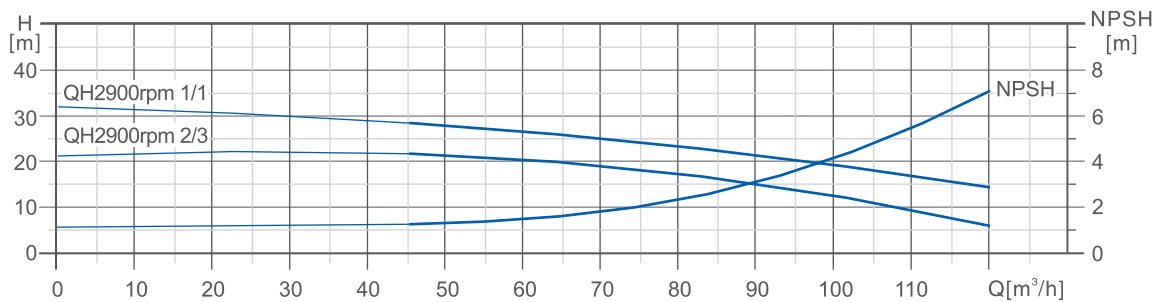
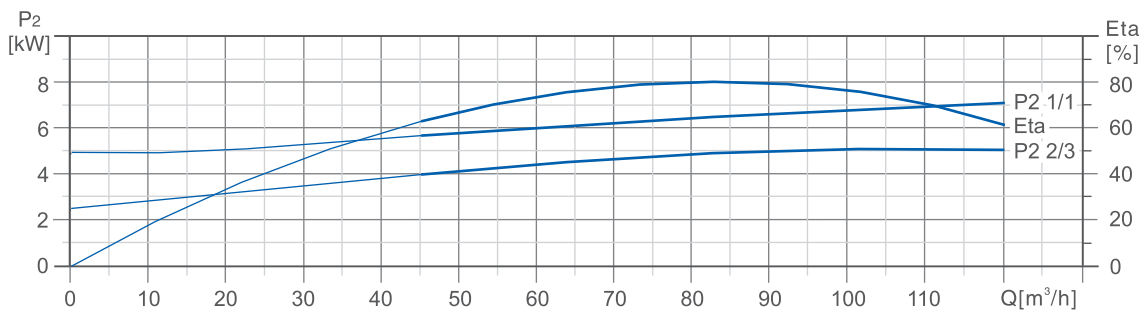
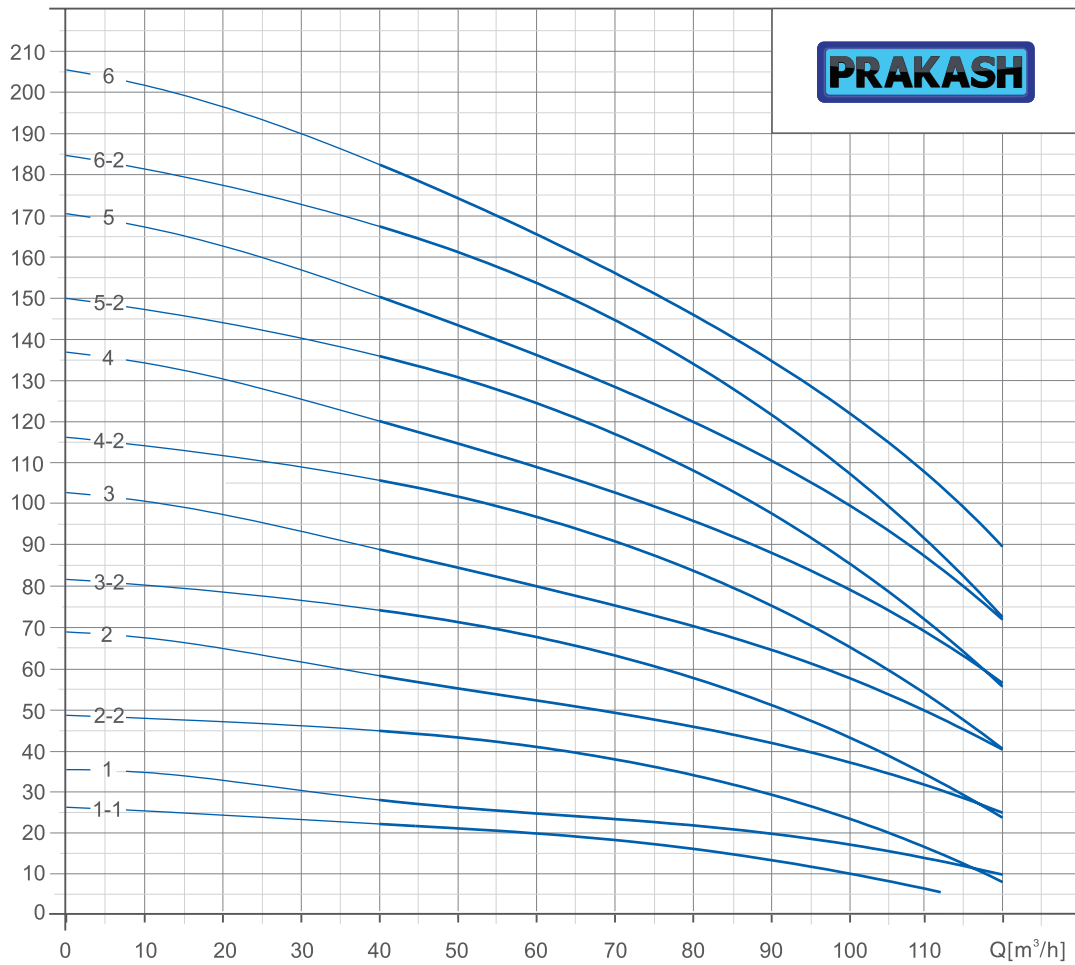
## HYDRAULIC PERFORMANCE CURVE PVMP64, 50Hz, 2900 rpm



SERVICE AT YOUR DOOR STEP ✓



HYDRAULIC PERFORMANCE CURVE PVMP90, 50Hz, 2900 rpm



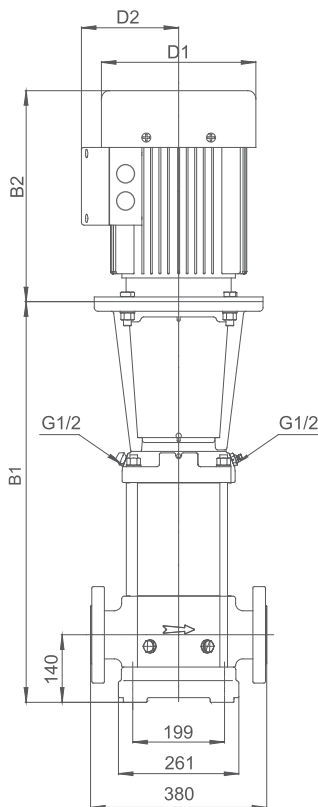
SERVICE AT YOUR DOOR STEP ✓

## PERFORMANCE CHART

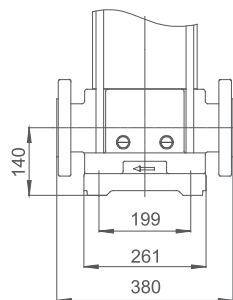
## PVMP90

MODEL	POWER		Q	US GPM	176	220	264	308	352	396	440	484	528
	Kw	HP		LPM	667	834	1000	1167	1334	1500	1667	1834	2000
				M <sup>3</sup> /h	40	50	60	70	80	90	100	110	120
PVMP(SS)90-1-1	5.5	7.5	Head (m)	22	21	20.0	18	16	14.0	10.5	6.5	-	
PVMP(SS)90-1	7.5	10	Head (m)	38	26	25	23.5	22	20	17.5	14	10	
PVMP(SS)90-2-2	11	15	Head (m)	45	43	41	38	34.5	30	24	17	8	
PVMP(SS)90-2	15	20	Head (m)	58	55	52	49	46	43	37.5	31.5	25	
PVMP(SS)90-3-2	18.5	25	Head (m)	74	71.5	68	63.5	58	51.5	44	35	24	
PVMP(SS)90-3	22	30	Head (m)	88	84.5	80	75.5	70.5	65	58.5	50.5	40	
PVMP(SS)90-4-2	30	40	Head (m)	106	102	97	91	84.5	76	65.5	54	40	
PVMP(SS)90-4	30	40	Head (m)	120	114	109	103	96	88.5	79.5	69.5	57	
PVMP(SS)90-5-2	37	50	Head (m)	136	131	125	118	109	98.5	86.5	72	55	
PVMP(SS)90-5	37	50	Head (m)	150	144	136	129	121	111	101	87	72	
PVMP(SS)90-6-2	45	60	Head (m)	166	161	154	145	135	123	108	91.5	72	
PVMP(SS)90-6	45	60	Head (m)	182	175	166	156	146	135	123	108	90	

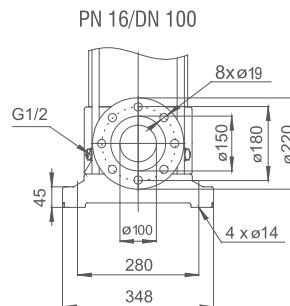
## G.A Drawing



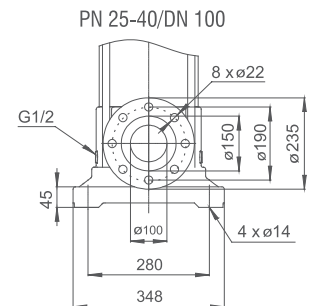
DIN FLANDE (C)



DIN FLANDE (SS)



DIN FLANDE (SS)/(C)



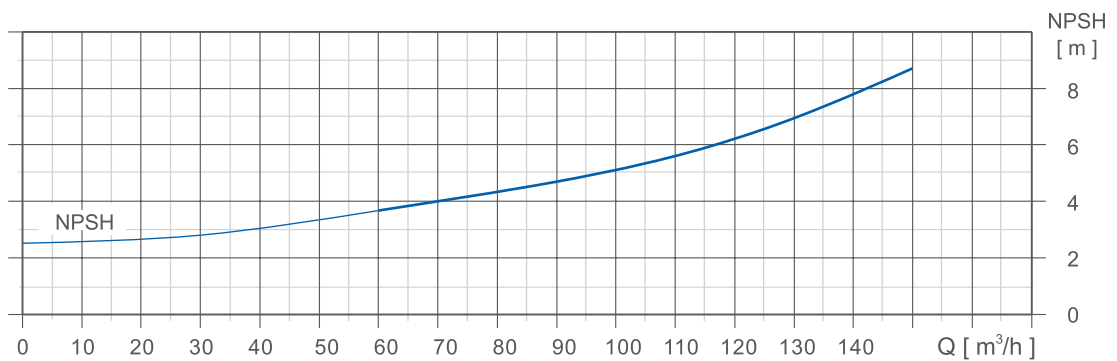
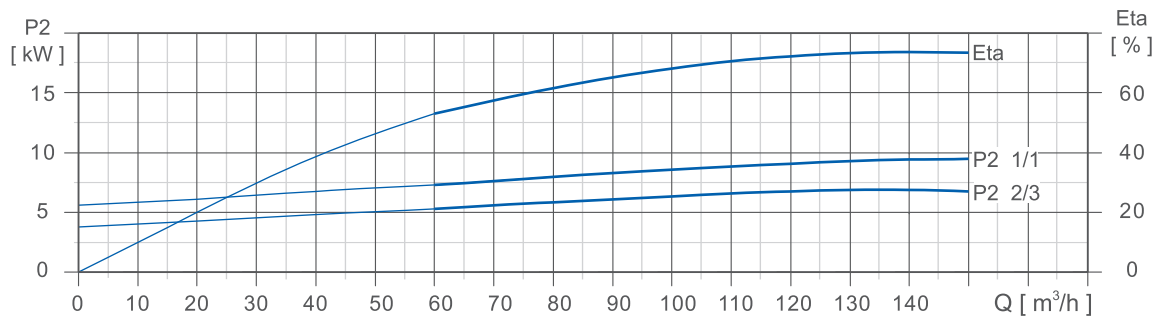
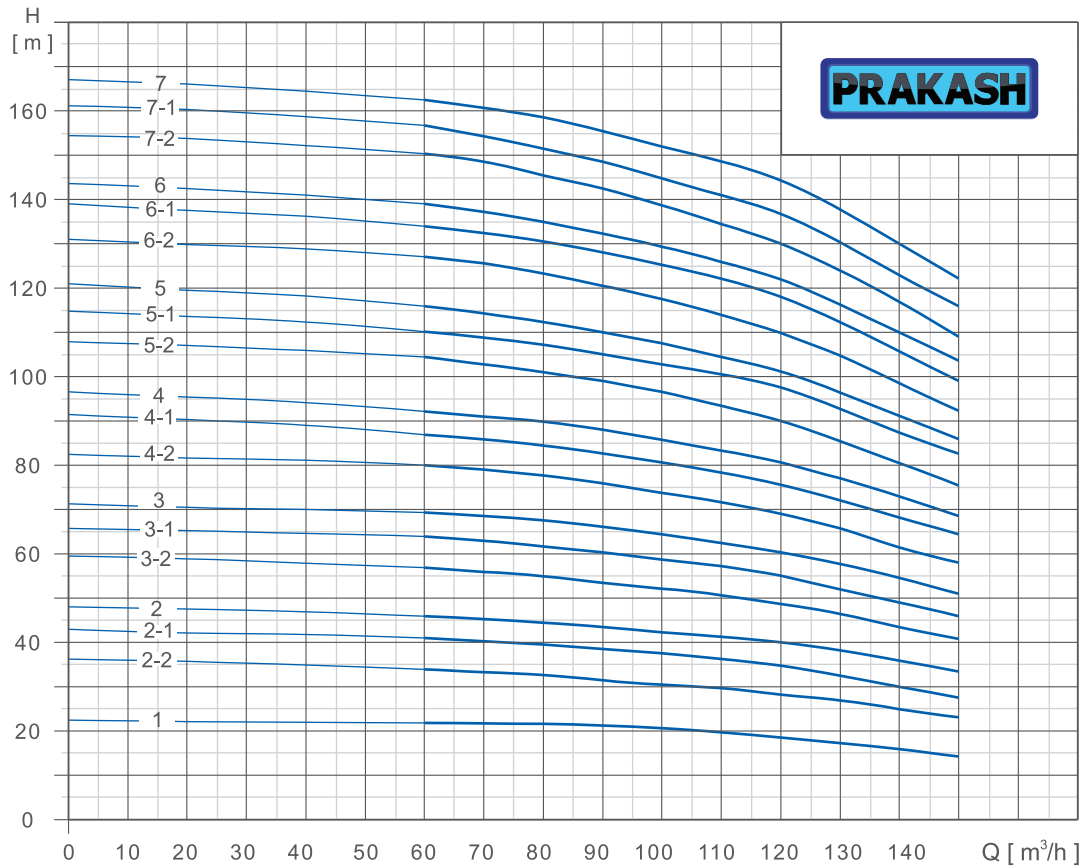
MODEL	DIN FLANGE PVMP(SS)(C)		D1	D2	N.W. (kgs)
	B1	B1+B2			
PVMP(SS)90-1-1	572.5	969.5	210	142	116
PVMP(SS)90-1	572.5	969.5	210	142	121.2
PVMP(SS)90-2-2	774.5	1273.5	254	175	162.2
PVMP(SS)90-2	774.5	1273.5	254	175	174.9
PVMP(SS)90-3-2	866.5	1426.5	330	250	228
PVMP(SS)90-3	866.5	1426.5	380	280	264
PVMP(SS)90-4-2	958.5	1638.5	420	305	326
PVMP(SS)90-4	958.5	1638.5	420	305	326
PVMP(SS)90-5-2	1051	1731	420	305	354
PVMP(SS)90-5	1051	1731	420	305	354
PVMP(SS)90-6-2	1143	1858	470	335	415
PVMP(SS)90-6	1143	1858	470	335	415

# PN16/DN100 [PVMP90-1-1 to PVMP90-5 (SS)/(C)]

# PN25-40/DN100 [PVMP90-6-2 to PVMP90-6(SS)/(C)]

NOTES:-  
 PVMP(C) = PRAKASH PUMP VERTICAL MULTISTAGE CENTRIFUGAL CAST IRON BASE AND PUMP COVER  
 PVMP(SS) = PRAKASH PUMP VERTICAL MULTISTAGE CENTRIFUGAL STAINLESS STEEL WETTED PARTS

HYDRAULIC PERFORMANCE CURVE PVMP120, 50Hz, 2900 rpm



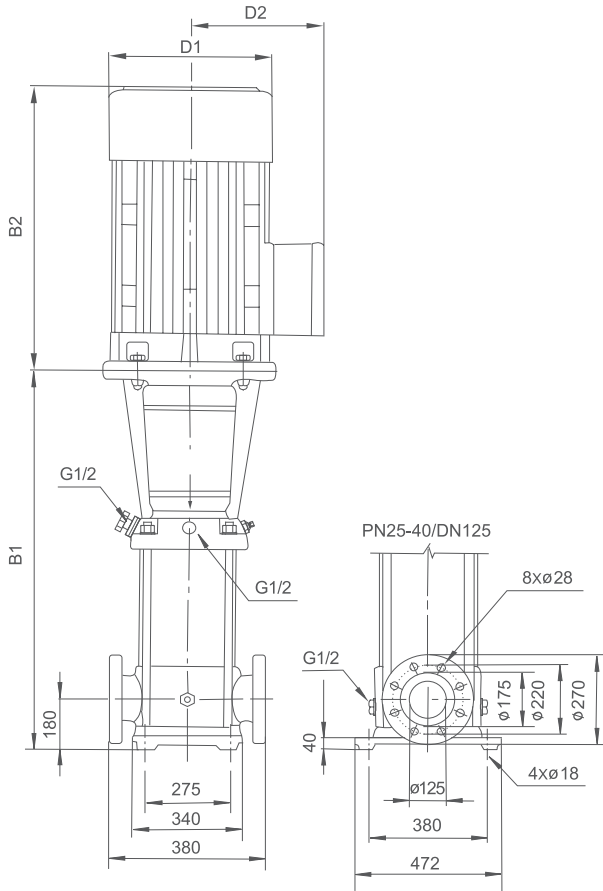
SERVICE AT YOUR DOOR STEP ✓

## PERFORMANCE CHART

## PVMP120

MODEL	POWER		Q	US GPM	264	308	352	396	440	484	528	572	617	661
	Kw	HP		LPM	1000	1167	1334	1500	1667	1834	2000	2167	2334	2501
				M <sup>3</sup> /h	60	70	80	90	100	110	120	130	140	150
PVMP(SS)120-1	11	15	Head (m)	22	21.8	21.6	21	20.5	19.5	18.5	17	16	15	
PVMP(SS)120-2-2	15	20	Head (m)	34	33.6	33	31	30.2	30	28.5	27	25	24	
PVMP(SS)120-2-1	18.5	25	Head (m)	41	40	39.5	38.5	37	36.5	34.5	32.5	30	27.5	
PVMP(SS)120-2	22	30	Head (m)	46	45	44.5	43.5	42.4	41	40	38	36	33.5	
PVMP(SS)120-3-2	30	40	Head (m)	57	56	55	53.5	52	51	49	46.5	43.5	41	
PVMP(SS)120-3-1	30	40	Head (m)	64	63	62	60	58.5	57.5	55.5	52	49	46	
PVMP(SS)120-3	30	40	Head (m)	69.5	68.5	67.5	66	64.4	62.5	61	57.5	54.5	51	
PVMP(SS)120-4-2	37	50	Head (m)	80.5	79	78	76	73.5	72	69	66	61.5	58	
PVMP(SS)120-4-1	37	50	Head (m)	87	86	84.5	82	80	78	76	72	68	64.5	
PVMP(SS)120-4	45	60	Head (m)	92.5	91	90	88	85.5	83	81	77	73	68.5	
PVMP(SS)120-5-2	45	60	Head (m)	104.5	103	101	99	96	93	90	85.5	80.5	75.5	
PVMP(SS)120-5-1	45	60	Head (m)	110.5	109	107.5	105	102	100	97	92	86.5	83	
PVMP(SS)120-5	55	75	Head (m)	115.5	114	113	110	107.5	104.5	101.5	96	91	86	
PVMP(SS)120-6-2	55	75	Head (m)	128	125.5	123	121	117.3	113.5	110	104.5	98.5	92.5	
PVMP(SS)120-6-1	55	75	Head (m)	134	132	130.5	127	124	121	118	111	105	100	
PVMP(SS)120-6	75	100	Head (m)	139	137	135	132	128.8	126	123	116	110	104	
PVMP(SS)120-7-2	75	100	Head (m)	151	148	145.5	143	138.6	134	130	123.5	116.5	109	
PVMP(SS)120-7-1	75	100	Head (m)	156.5	154	152	148.5	144.5	141	137.5	130	123	116.5	
PVMP(SS)120-7	75	100	Head (m)	162.5	160.5	158.5	155	151	148	145	137	129	123	

## G.A Drawing



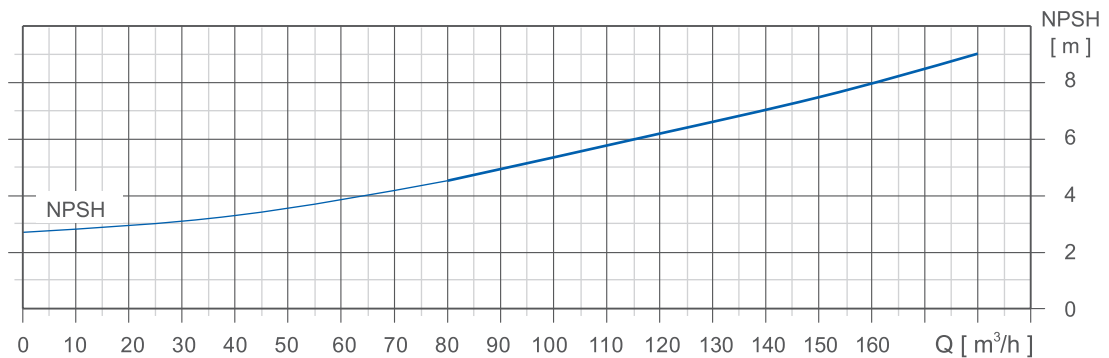
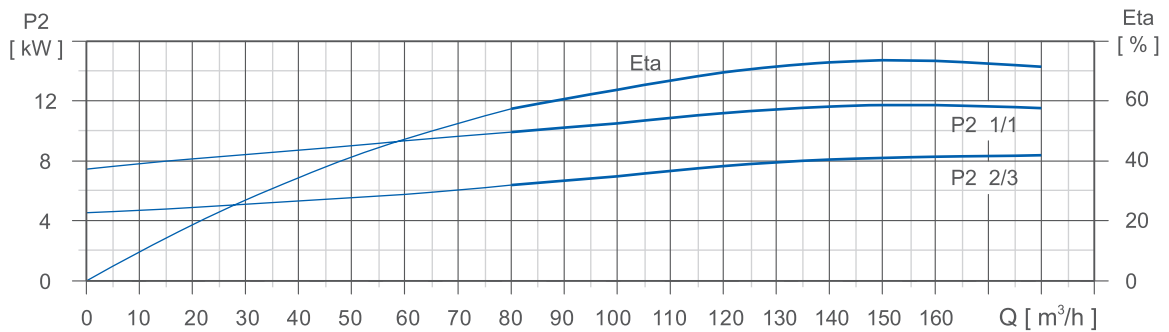
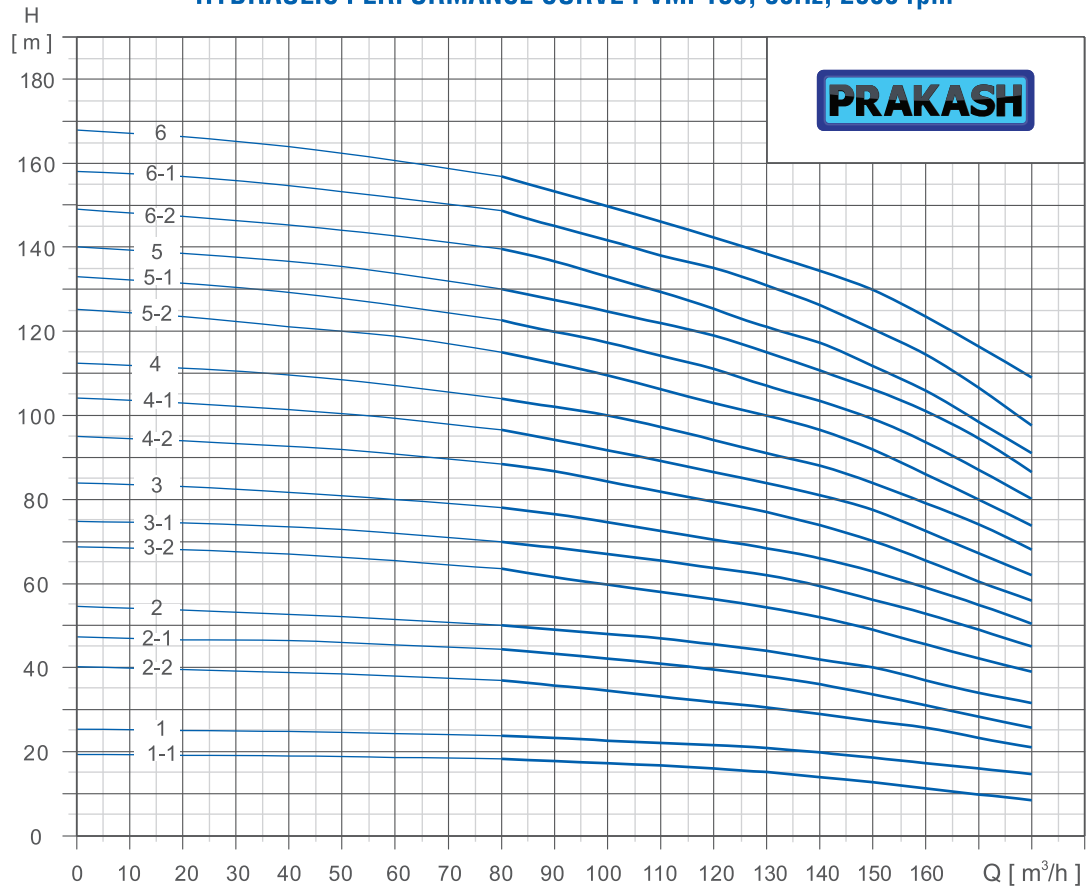
DIN FLANDE (SS)/(C)

MODEL	DIN FLANGE PVMP(SS)(C)		D1	D2	N.W. (kgs)
	B1	B1+B2			
PVMP(SS)120-1	840	1339	254	175	186
PVMP(SS)120-2-2	1000	1499	254	175	210
PVMP(SS)120-2-1	1000	1560	330	250	250
PVMP(SS)120-2	1000	1600	380	280	285
PVMP(SS)120-3-2	1160	1840	420	305	326
PVMP(SS)120-3-1	1160	1840	420	305	360
PVMP(SS)120-3	1160	1840	420	305	360
PVMP(SS)120-4-2	1320	2000	420	305	400
PVMP(SS)120-4-1	1320	2000	420	305	400
PVMP(SS)120-4	1320	2035	470	335	460
PVMP(SS)120-5-2	1480	2195	470	335	470
PVMP(SS)120-5-1	1480	2195	470	335	470
PVMP(SS)120-5	1510	2295	510	370	575
PVMP(SS)120-6-2	1670	2455	510	370	585
PVMP(SS)120-6-1	1670	2455	510	370	585
PVMP(SS)120-6	1670	2515	580	410	705
PVMP(SS)120-7-2	1830	2675	580	410	715
PVMP(SS)120-7-1	1830	2675	580	410	715
PVMP(SS)120-7	1830	2675	580	410	715

NOTES:-

PVMP(C) = PRAKASH PUMP VERTICAL MULTISTAGE CENTRIFUGAL CAST IRON BASE AND PUMP COVER  
 PVMP(SS) = PRAKASH PUMP VERTICAL MULTISTAGE CENTRIFUGAL STAINLESS STEEL WETTED PARTS

**HYDRAULIC PERFORMANCE CURVE PVMP150, 50Hz, 2900 rpm**



**SERVICE AT YOUR DOOR STEP ✓**

# Vertical Multistage Stainless Steel Pump

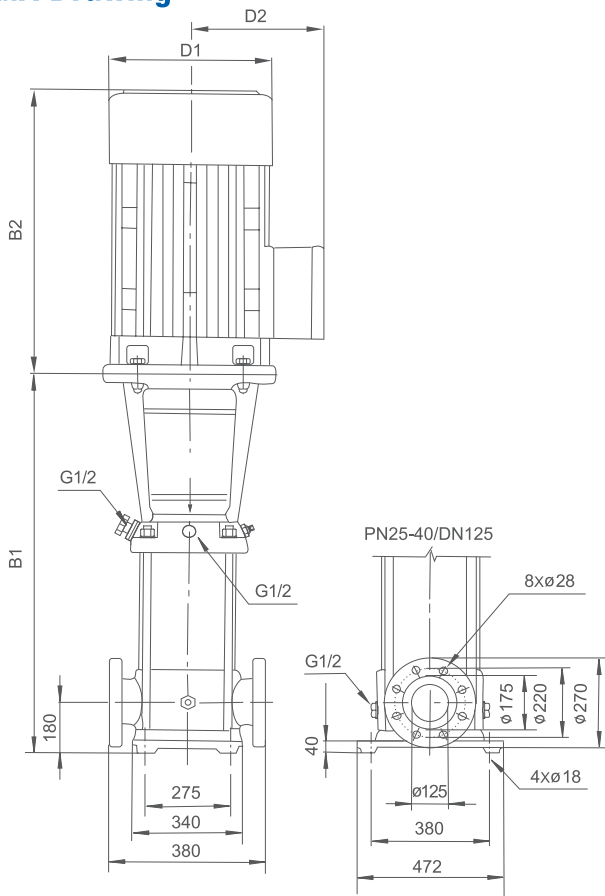


## PERFORMANCE CHART

PVMP150

MODEL	POWER		Q	US GPM	352	396	440	484	528	572	617	661	705	749	793
	Kw	HP		LPM	1334	1500	1667	1834	2000	2167	2334	2501	2667	2834	3001
				M <sup>3</sup> /h	80	90	100	110	120	130	140	150	160	170	180
PVMP(SS)150-1-1	11	15	Head (m)	18.3	17.8	17.3	17	16	15	14	12.5	11	10	8.5	
PVMP(SS)150-1	15	20	Head (m)	24	23	22.5	22	21.5	20.5	20	18.5	17	16	15	
PVMP(SS)150-2-2	18.5	25	Head (m)	37	35.5	34	33	32	31	29	27.5	26	23	21	
PVMP(SS)150-2-1	22	30	Head (m)	44.3	43	42	40	39	38.5	37.5	35	33	30	27	
PVMP(SS)150-2	30	40	Head (m)	50	49	48	47	45.5	44	42	40	37	34	32	
PVMP(SS)150-3-2	30	40	Head (m)	63.5	61	59	57.5	56	54.5	53	49	45.5	42	39	
PVMP(SS)150-3-1	37	50	Head (m)	70	68	67	65	63	62	60	56	53	49	45	
PVMP(SS)150-3	37	50	Head (m)	78	76.5	75	73	70.5	68	66	63	59	55	50.5	
PVMP(SS)150-4-2	45	60	Head (m)	89	87	84	81.5	79	77	74.5	70.5	65.5	60	56	
PVMP(SS)150-4-1	45	60	Head (m)	96.5	94	91.5	89	86.5	84	81.5	77	72.5	67	62	
PVMP(SS)150-4	55	75	Head (m)	104	102	100	97	95	91	88	84	79.5	74	68	
PVMP(SS)150-5-2	55	75	Head (m)	115.5	112	109	106	102.5	100	97	92	86	79	73.5	
PVMP(SS)150-5-1	75	100	Head (m)	122.5	119.5	117	113.5	111.5	107.5	104.5	99	93.5	87	80	
PVMP(SS)150-5	75	100	Head (m)	130	127.5	125	121	119	115	111.5	106.5	101	94.5	86.5	
PVMP(SS)150-6-2	75	100	Head (m)	140	137	133	130	126	121	118	112.0	106	98	91	
PVMP(SS)150-6-1	75	100	Head (m)	148.5	145	141.7	137.5	135	131	127	120.5	114.5	106.5	97.5	
PVMP(SS)150-6	75	100	Head (m)	157	153	149	145	142	139.5	137	130	123.5	116	109	

## G.A Drawing

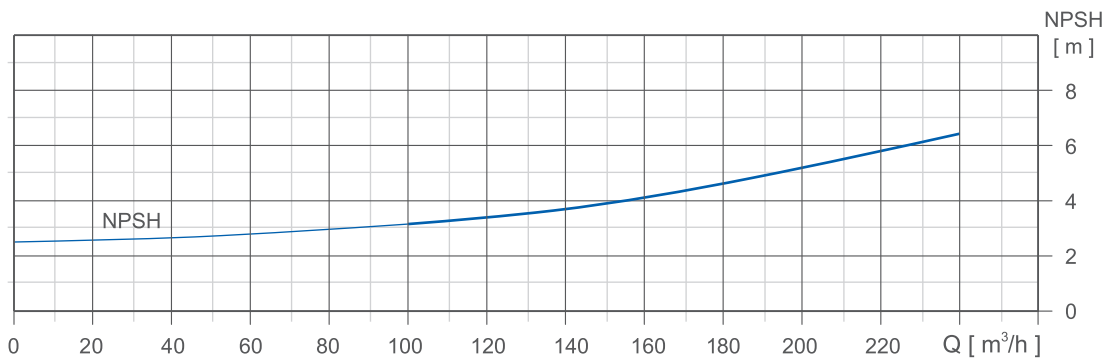
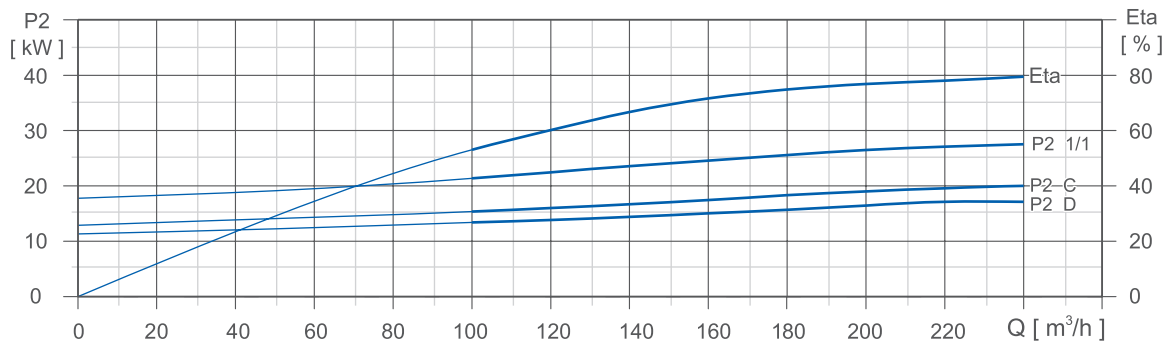
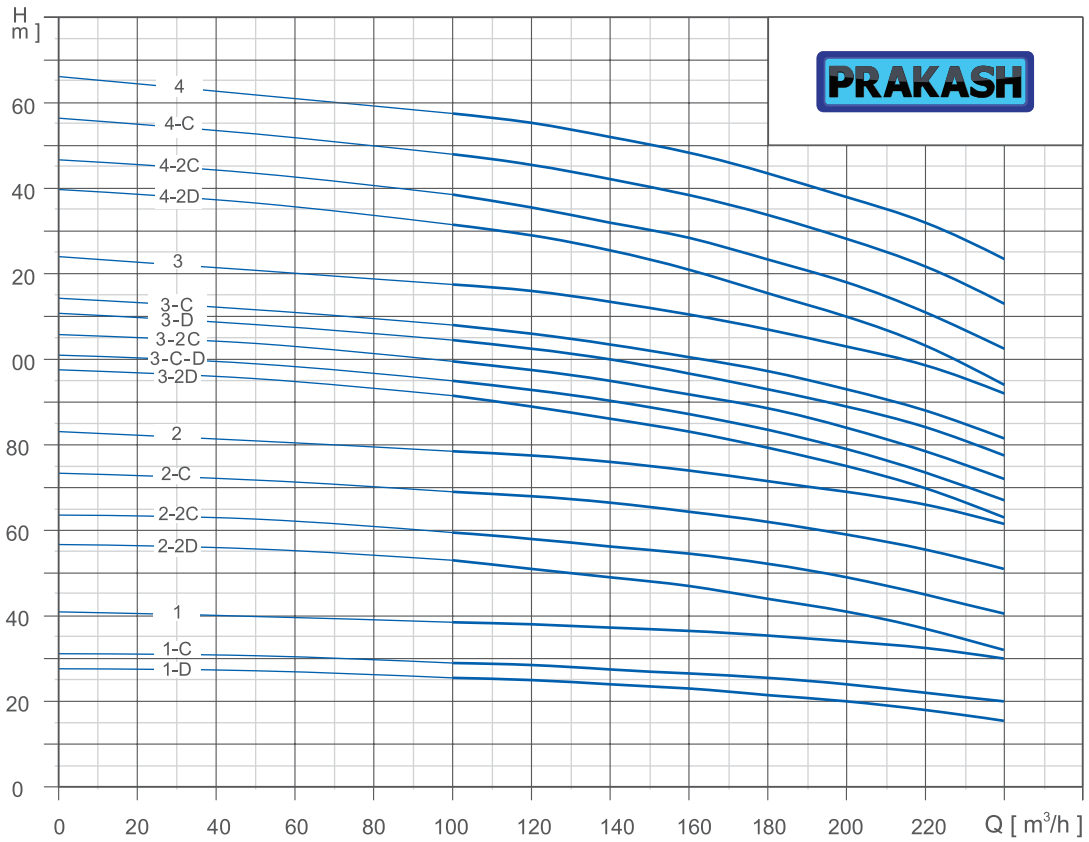


DIN FLANDE (SS)/(C)

MODEL	DIN FLANGE PVMP(SS)(C)		D1	D2	N. W. (kgs)
	B1	B1+B2			
PVMP(SS)150-1-1	840	1339	254	175	186
PVMP(SS)150-1	840	1339	254	175	200
PVMP(SS)150-2-2	1000	1560	330	250	250
PVMP(SS)150-2-1	1000	1600	380	280	295
PVMP(SS)150-2	1000	1680	420	305	317
PVMP(SS)150-3-2	1160	1840	420	305	360
PVMP(SS)150-3-1	1160	1840	420	305	360
PVMP(SS)150-3	1160	1840	420	305	385
PVMP(SS)150-4-2	1320	2035	470	335	460
PVMP(SS)150-4-1	1320	2035	470	335	460
PVMP(SS)150-4	1320	2135	510	370	560
PVMP(SS)150-5-2	1350	2295	510	370	570
PVMP(SS)150-5-1	1510	2355	580	410	690
PVMP(SS)150-5	1510	2355	580	410	690
PVMP(SS)150-6-2	1670	2515	580	410	700
PVMP(SS)150-6-1	1670	2515	580	410	700
PVMP(SS)150-6	1670	2515	580	410	700

NOTES:-  
 PVMP(C) = PRAKASH PUMP VERTICAL MULTISTAGE CENTRIFUGAL CAST IRON BASE AND PUMP COVER  
 PVMP(SS) = PRAKASH PUMP VERTICAL MULTISTAGE CENTRIFUGAL STAINLESS STEEL WETTED PARTS

HYDRAULIC PERFORMANCE CURVE PVMP200, 50Hz, 2900 rpm



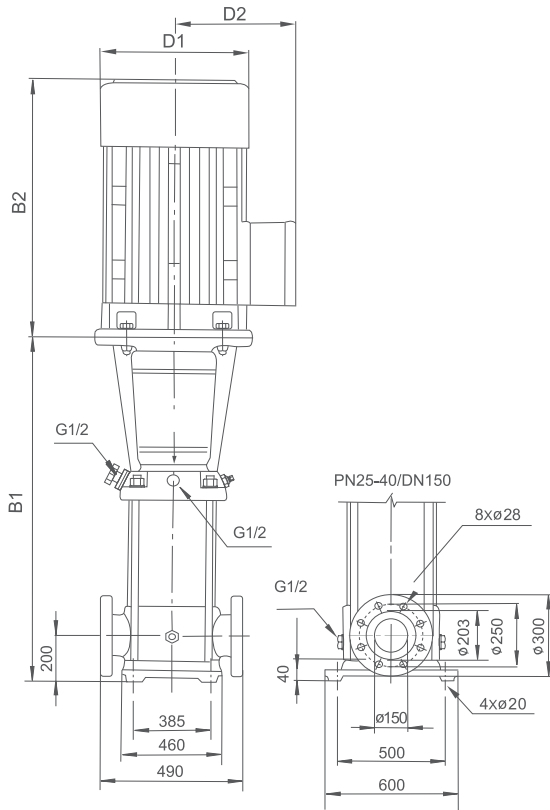
SERVICE AT YOUR DOOR STEP ✓

## PERFORMANCE CHART

## PVMP200

MODEL	POWER		Q	US GPM	440	528	617	705	793	881	969	1057
	Kw	HP		LPM	1667	2000	2334	2667	3001	3334	3667	4001
				M <sup>3</sup> /h	100	120	140	160	180	200	220	240
PVMP(SS)200-1-D	18.5	25	Head (m)	25.5	25	24	23	21.5	20	18	15.5	
PVMP(SS)200-1-C	22	30	Head (m)	29	28.5	27.5	26.5	25.5	24	22	20	
PVMP(SS)200-1	30	40	Head (m)	38.5	38	37.5	36.5	35	34	32.5	30	
PVMP(SS)200-2-2D	37	50	Head (m)	53	51	49	47	44	41	37	32	
PVMP(SS)200-2-2C	45	60	Head (m)	59.5	58	56	54	52.5	49	44.5	40.5	
PVMP(SS)200-2-C	55	75	Head (m)	69	68	66	64	62	59	55.5	51	
PVMP(SS)200-2	55	75	Head (m)	78.5	77.5	76	74	71.5	69	66	61.5	
PVMP(SS)200-3-2D	75	100	Head (m)	91.5	89	86.5	83.5	79	75	70	63	
PVMP(SS)200-3-C-D	75	100	Head (m)	95	93	90	87	83.5	79	73.5	67	
PVMP(SS)200-3-2C	75	100	Head (m)	99.5	97.5	94.5	91.5	89	84	78.5	72	
PVMP(SS)200-3-D	75	100	Head (m)	104.5	102.5	100.0	97	93.0	89	84.5	77.5	
PVMP(SS)200-3-C	75	100	Head (m)	108	106	103.5	101	97.5	93	88	81.5	
PVMP(SS)200-3	90	120	Head (m)	117.5	116	113.5	110.5	107	103	99	92	
PVMP(SS)200-4-2D	90	120	Head (m)	131.5	129	125.5	121	115.5	110	103.5	94	
PVMP(SS)200-4-2C	110	150	Head (m)	138.5	136	132	128	124	118	111	102.5	
PVMP(SS)200-4-C	110	150	Head (m)	148	145.5	142.5	138	134	128	122	113	
PVMP(SS)200-4	110	150	Head (m)	157.5	155.5	152.5	148	143.5	138	133	123.5	

## G.A Drawing

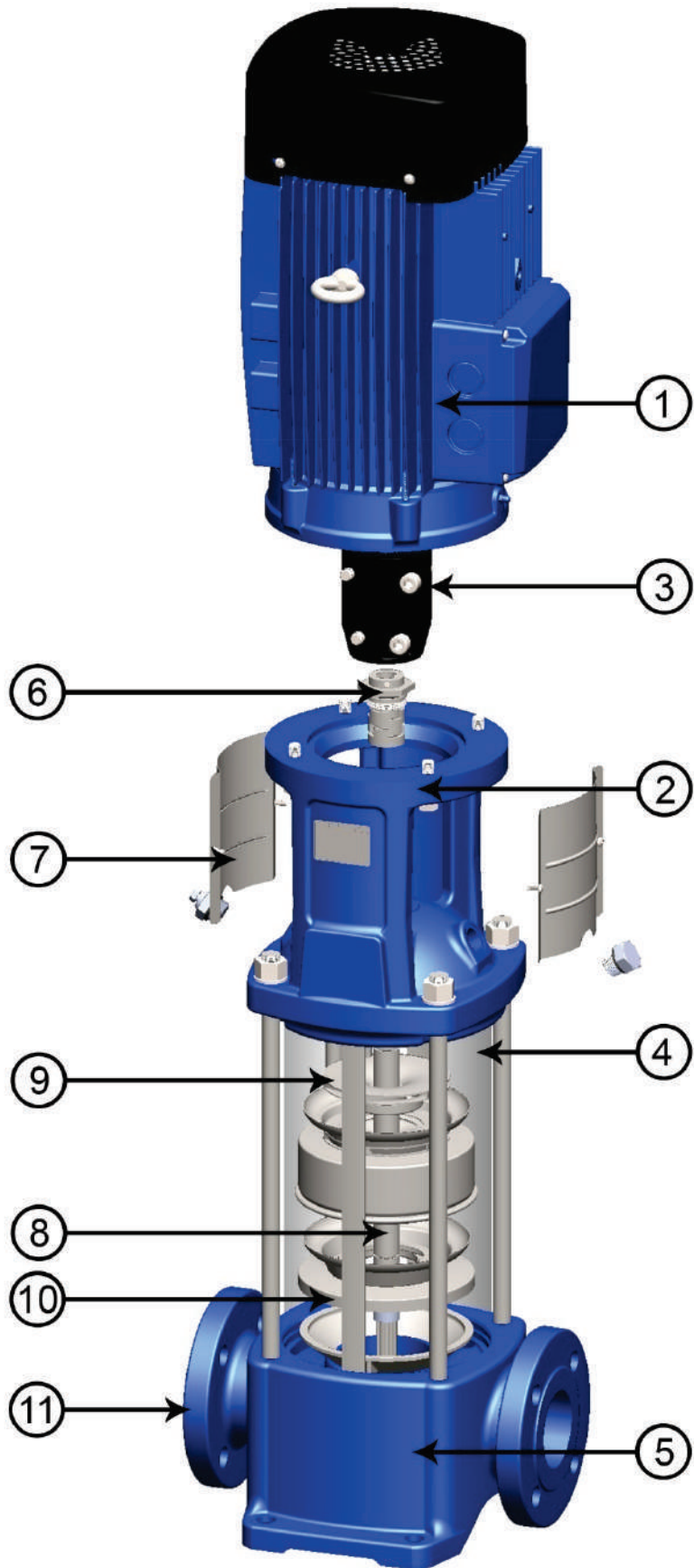


DIN FLANDE (SS)/(C)

MODEL	DIN FLANGE PVMP(SS)/(C)		D1	D2	N.W. (kgs)
	B1	B1+B2			
PVMP(SS)200-1-D	907	1467	330	250	311
PVMP(SS)200-1-C	907	1507	380	280	347
PVMP(SS)200-1	907	1587	420	305	403
PVMP(SS)200-2-2D	1101	1781	420	305	447
PVMP(SS)200-2-2C	1101	1816	470	335	504
PVMP(SS)200-2-C	1131	1916	510	370	595
PVMP(SS)200-2	1131	1916	510	370	595
PVMP(SS)200-3-2D	1325	2170	580	410	748
PVMP(SS)200-3-C-D	1325	2170	580	410	748
PVMP(SS)200-3-2C	1325	2170	580	410	748
PVMP(SS)200-3-D	1325	2170	580	410	748
PVMP(SS)200-3-C	1325	2170	580	410	748
PVMP(SS)200-3	1325	2220	580	410	817
PVMP(SS)200-4-2D	1519	2414	580	410	830
PVMP(SS)200-4-2C	1519	2619	645	530	1180
PVMP(SS)200-4-C	1519	2619	645	530	1180
PVMP(SS)200-4	1519	2619	645	530	1180

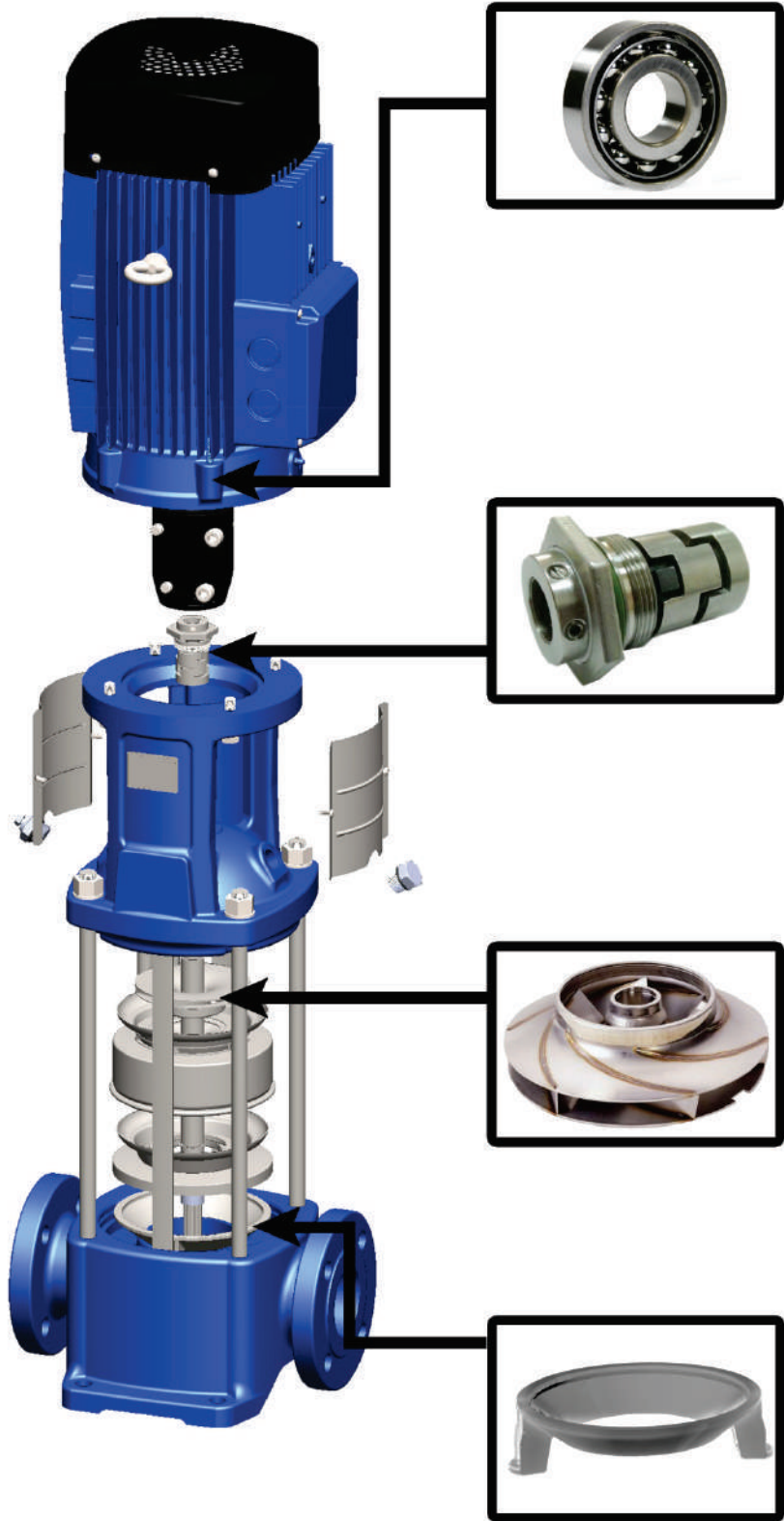
NOTES:-  
 PVMP(C) = PRAKASH PUMP VERTICAL MULTISTAGE CENTRIFUGAL CAST IRON BASE AND PUMP COVER  
 PVMP(SS) = PRAKASH PUMP VERTICAL MULTISTAGE CENTRIFUGAL STAINLESS STEEL WETTED PARTS

## EXPLODED VIEW



## MATERIAL OF CONSTRUCTION (MOC)

PART NUMBERS	DESCRIPTION
1	<p style="text-align: center;"><b>MOTOR</b></p> High efficient IE2 motor Totally enclosed fan cooled Easy interchangeability
2	<p style="text-align: center;"><b>MOTOR BASE</b></p> Grey cast iron with 1.5-4.3% carbon, 0.3-5% silicon, manganese, sulfur & phosphorus
3	<p style="text-align: center;"><b>COUPLINGS</b></p> Cast iron based powder metallurgy
4	<p style="text-align: center;"><b>PUMP BODY</b></p> Stainless steel AISI 304 with chromium 18-20%
5	<p style="text-align: center;"><b>PUMP BASE</b></p> Grey cast iron with 1.5-4.3% carbon, 0.3-5% silicon, manganese, sulfur & phosphorus
6	<p style="text-align: center;"><b>MECHANICAL SEAL</b></p> Stationary part: Graphite resist up to 500°C Dynamic part: Hard alloy fluorine rubber 'O' ring
7	<p style="text-align: center;"><b>GUARDING PLATE</b></p> Stainless steel AISI 304 with chromium 18-20%
8	<p style="text-align: center;"><b>SHAFT</b></p> Stainless steel AISI 304 with chromium 18-20%
9	<p style="text-align: center;"><b>IMPELLER</b></p> High performance & high efficient design Small size with high reliable & corrosion resistance material
10	<p style="text-align: center;"><b>IMPELLER &amp; DIFFUSER</b></p> Stainless steel AISI 304 with chromium 18-20%
11	<p style="text-align: center;"><b>FITTINGS</b></p> Flange standard to PN-16-25-40 Same size nozzle to avoid difficulties in piping's



### HEAVY DUTY ANGULAR CONTACT BALL BEARING

Angular contact lower ball bearings have raceways in the inner and outer rings that are displaced relative to each other in the direction of the bearing axis. I.e. simultaneously acting radial and axial loads and Lower angular contact ball bearing protects to support bearing against up thrust and clogging vibrations..

### MECHANICAL SEAL

6-hole mechanical seal for fixation with shaft and sleeve Stationary part is made of high Quality graphite with heat resistance up to 500°C. Dynamic part is made of hard alloy, which features high wear Resistance and heat shock resistance. Fluorine rubber o-ring, best medium resistance.

- *Quick change*
- *Easy installation*
- *Safe and reliable*

### IMPELLER

Small-sized with efficient and reliable structure Continuous laser welding ensures good strength Good corrosion resistance High performance, high efficiency and long life.

### PRIMARY DIFFUSER PLATE

Made in special investment cast process for good strength, good finishing, long life and corrosion free.

# PRAKASH

Office in India

## PRAKASH PUMP

Survey No. 479, Opp. Supreme Estate-1, Zak Kadadara Road, Vill. - Kadadara,  
Tal. Dahegam, Gandhinagar, Gujarat 382305 INDIA E-mail: sale@prakashpump.com

Distributor Office for Middle East

## PRAKASH PUMP EST

P.O. Box: 20973 Industrial Area Al Ain (United Arab Emirates)  
Tel.: +971 3 7222733 Mob.: +971 50 6731283 E-mail: sale@prakashpump.com

Distributor Office for Oman

## GLOBAL EQUIPMENT MATERIAL CO. LLC

P.O. Box. 227, Postal Code: 320 Nakhal Road, Barka (Sultanate of Oman)  
Tel.: +968 26883982 Mob.: +968 94584686 E-mail: oman@prakashpump.com

Distributor Office for Saudi Arabia

## PRAKASH PUMP INDUSTRY

P.O. Box 14327, Bldg. 3616, Al Marwah 6447, Al Mishaal Riyadh City, (Kingdoms of Saudi Arabia)  
Sulay Exit 18. Mobile: +966 539811109 Email: saudi@prakashpump.com

Factory Address

## PANJI ENGINEERING PVT LTD

Survey No. 479, Opp. Supreme Estate-1, Zak Kadadara Road, Vill. - Kadadara,  
Tal. Dahegam, Gandhinagar, Gujarat 382305 INDIA E-mail: sale@prakashpump.com



To get  
Quotation by email



## PRAKASHPUMPEST

These images given are only for illustration purpose  
for further details contact the sales team at  
[sale@prakashpump.com](mailto:sale@prakashpump.com) / [oman@prakashpump.com](mailto:oman@prakashpump.com)  
/ [saudi@prakashpump.com](mailto:saudi@prakashpump.com)



To get  
Website

